

JOST AUSTRALIA PTY LTD

A.B.N. 60 001 081 778



Jost Australia Pty Ltd is a Quality Endorsed Company (QEC Lic. 10166), and complies to AS/NZS ISO 9001:2000 for the following capability:

The registration covers the Quality Management System for the assembly and fitting of equipment for the truck and trailer industry including fifth wheels, landing gear systems, turntables, towing gear, hubodometers, mounting plates and associated replacement parts and accessories; the distribution of hydraulic hoists, pumps, valves, spare parts and accessories to the truck, industrial trailer.

OPERATING INSTRUCTIONS, REPAIR MANUALS, & MAINTENANCE INSTRUCTIONS

Selected Operating Instructions, Repair Manuals and Maintenance Instructions, which are referred to or appear in this catalogue, are applicable to the genuine product as manufactured/supplied by Jost Australia.

Where applicable, each product complies with the requirements of the Australian Design Rules (ADR's) 62/01, and the corresponding Component Registration Number (CRN) is detailed on the Jost Australia CRN List at the front of this catalogue.

For any enquires regarding Jost CRN's, please contact your local Jost Australia branch.

**Note: All D-values have been transcribed directly from the original Component Test Reports.
(Current from 14th April 2003)**

JOST FIFTHWHEELS			
Product Stock No	CRN & D-Value Specification		
JSK 32 AV	26278	D-Value: 160 kN	
JSK 36 D2	24501	D-Value: 171 kN	
JSK 36 DV 1	26277	D-Value: 170 kN	
JSK 36 CV	16358	D-Value: 190 kN	150mm, 170mm, 185mm, 250mm & 300mm pedestals
JSK 37 CZ	24286	D-Value: 190 kN	150mm, 170mm, 185mm, 250mm & 300mm pedestals
JSK 37 E	36821	D-Value: 190 kN (Same plate construction as JSK37CZ, but with pivot pedestals)	
JSK 37 EW	36821	D-Value: 190 kN	(Greaseless version of JSK 37 E)
JSK SLE 37E	36820	D-Value: 190 kN	
JSK 37 CZW (Greaseless version of JSK 37 CZ)	24286	D-Value: 190 kN	150mm, 170mm, 185mm, 250mm & 300mm pedestals
JSK 37 G-240	24500	D-Value: 162.4 kN	
JSK 38 C - 1	24329	D-Value: 260 kN	
JSK 38 C - 2	16913	D-Value: 216 kN	
JSK 38 D	36688	D-Value: 260 kN	
JSK 38 G - 1	24327	D-Value: 260 kN	
JSK 38 G - 2	16917	D-Value: 216 kN	
JSK 50	24502	D-Value: 300 kN	
JSK 36 AV2	24497	D-Value: 162.4 kN	
JSK 42ZJ	36130	D-Value: 200 kN	
JSK 42WJ	36130	D-Value: 200 kN	
LP 36 CV	24835	D-Value: 190 kN	
LP 37 C-Z	24836	D-Value: 190 kN	
LP 37 E	24833	D-Value: 162.4 kN	
LP 37 G-240	24831	D-Value: 162.4 kN	
LP 38 C-1	24837	D-Value: 190 kN	
LP 38 C-1-2	24834	D-Value: 190 kN	
DH 200 - Dual Height Fifthwheel	26983	D-Value: 120 kN	(max height: 290mm, min height: 165mm)
DR 36 CV	24832	D-Value: 162.4 kN	
DR 37 C-Z	24842	D-Value: 162.4 kN	
DR 37 E	24840	D-Value: 162.4 kN	
DR 37 G-240	24839	D-Value: 162.4 kN	
DR 38 C-1	24843	D-Value: 260 kN	
DR 38 C-1-2	24841	D-Value: 216 kN	
DR 38 DV 90	36819	D-Value: 260 kN	
EV M Slider	26167	D-Value: 190 kN	For use with JSK 36 CV/150 with EV M Slider
EV M Slider	26169	D-Value: 190 kN	For use with JSK 37 CZ/150 with EV M Slider
EV P Slider	26168	D-Value: 190 kN	For use with JSK 36 CV/150 with EV P Slider
EV P Slider	26170	D-Value: 190 kN	For use with JSK 37 CZ/150 with EV P Slider
SO 36 CV	24844	D-Value: 162.4 kN	
SO 37 C-Z	24845	D-Value: 162.4 kN	
SO 37 E	24838	D-Value: 162.4 kN	

JOST KINGPINS			
Product Stock No		CRN & D-Value Specification	
KZ 1008, KZ 1010, KZ 1012, KZ 1012-16		24156	D-Value: 190 kN
KZ 0912/01 (Part of the KZ 0908 Assembly)	FEA Approved **	24857	D-Value: 108 kN
KZ 1516	FEA Approved **	24344	D-Value: 162.4 kN
KZ 1016		24292	D-Value: 280 kN
KZ 1116		24511	D-Value: 287 kN
KZ 1408, KZ 1410, KZ 1412	FEA Approved **	24811	D-Value: 162.4 kN
KZ 1416	FEA Approved **	24812	D-Value: 200 kN
KZ 1706, KZ 1707, KZ 1710, KZ 1712	FEA Approved **	24856	D-Value: 152 kN

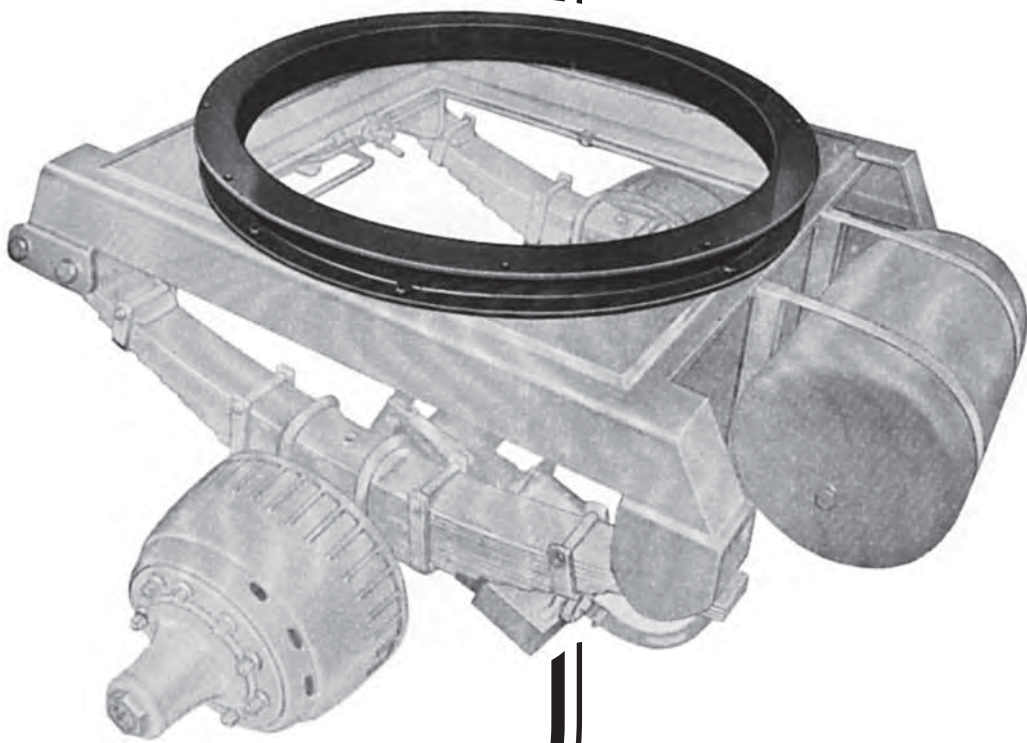
BUYERS PINTLE HOOKS			
Product Stock No		CRN & D-Value Specification	
BDB 1394		37264	D-Value: 165 kN
BPC PH 15 WMK		37267	D-Value: 75 kN
BPC PH 20 WMK		37268	D-Value: 100 kN
BPC P 45 AC4 & BPC P 45 AC6		37266	D-Value: 165 kN
BPC BH 850 MM		37265	D-Value: 30 kN
BPC PH 8 WMK		37270	D-Value: 50 kN
BPC PH 5 WMK		37269	D-Value: 35 kN

ROCKINGER COUPLING			
Product Stock No		CRN & D-Value Specification	
RO-500	-Rockinger Coupler	28986	D-Value: 260 kN (At ZERO download)

JOST & ROCKINGER TOWING EYES			
Product Stock No		CRN & D-Value Specification	
ROCK 57374	(Replaces Jost ZO 46)	24527	D-Value: 120 kN
ROCK 57394 (50mm Weld-In)	(Replaces Jost ZO 59)	24529	D-Value: 314 kN
ROCK 57322 (50mm)	(Replaces Jost ZO 60/01)	29201	D-Value: 191 kN
ROCK 57272 (50mm Weld-In)	(Replaces Jost ZO 58)	29202	D-Value: 191 kN
ROCK 57254 (50mm)	(Replaces Jost ZO 60)	29201	D-Value: 191 kN

** Finite Element Analysis (FEA) has been approved for Kingpins by the Australian Standards Committee (Refer: Supplement 1-2002 to AS 2175-1995) as an alternative to physical testing.

JOST

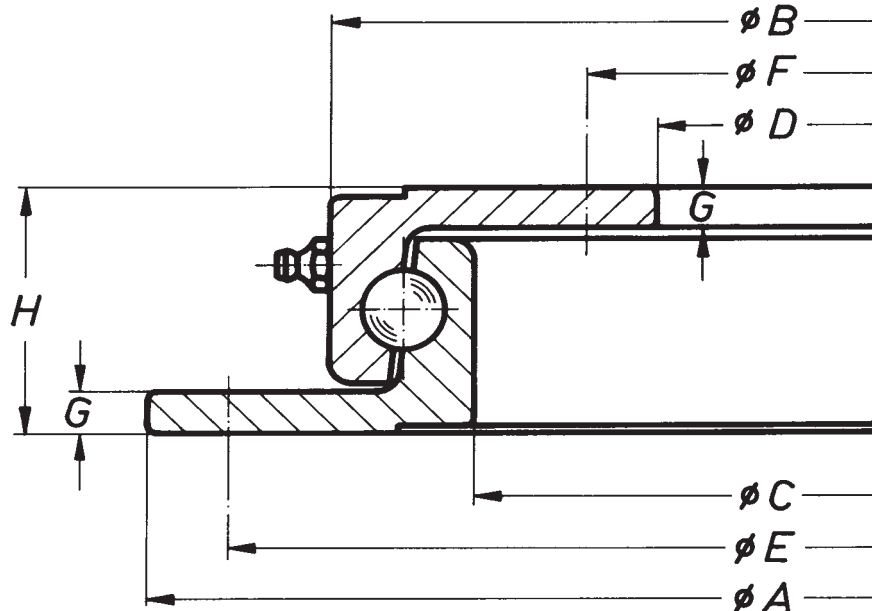


**Ball Bearing
turntables
Slewing rings**

Series L and N

L-series = for farm carts and trailers with a speed up to 30 km/h (18m.p.h.).

N-series = for heavy farm carts and light truck trailers with a speed above 30 km/h (18 m.p.h.).



Type	ØA mm	ØB mm	ØC mm	ØD mm	ØE mm	ØF mm	ØG mm	ØH mm	Weight approx. kg	Axial Load kN
KLK 400 L	400	342	292	230	375	260	8	45	11	7,5
KLK 500 L	500	442	392	330	475	360	8	45	15	9
KLK 650 L	650	592	542	480	625	510	8	45	20	15
KLK 750 L	750	692	642	580	725	610	8	45	23	18
KLK 850 L	850	792	742	680	825	710	8	45	27	25
KLK 950 L	950	892	842	780	925	810	8	45	30	30
KLK 1050 L	1050	992	942	880	1025	910	8	45	34	35
KLK 500 N	500	437	384	315	475	340	8	52	17	18
KLK 650 N	650	587	534	465	625	490	8	52	23	25
KLK 750 N	750	687	634	565	725	590	8	52	28	30
KLK 850 N	850	787	734	665	825	690	8	52	32	35
KLK 950 N	950	887	834	765	925	790	8	52	36	40
KLK 1050 N	1050	987	934	865	1025	890	8	52	40	45

Slewing rings are supplied undrilled and primed in black for corrosion protection.

The measurements are subject to our standard tolerances.

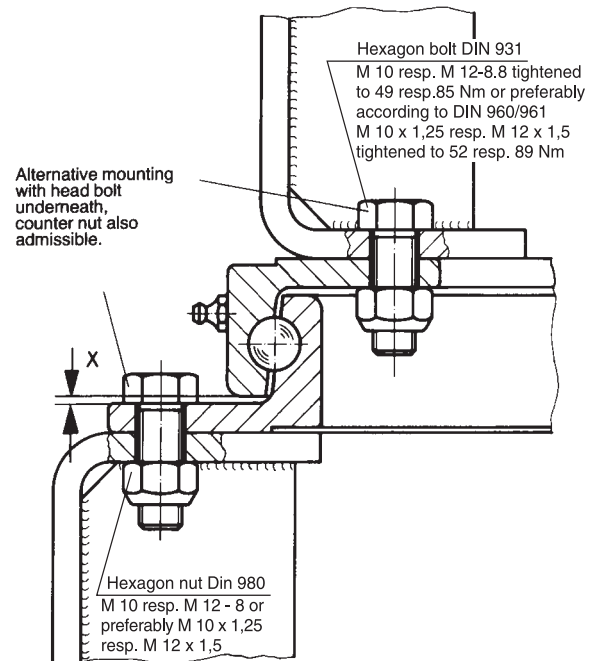
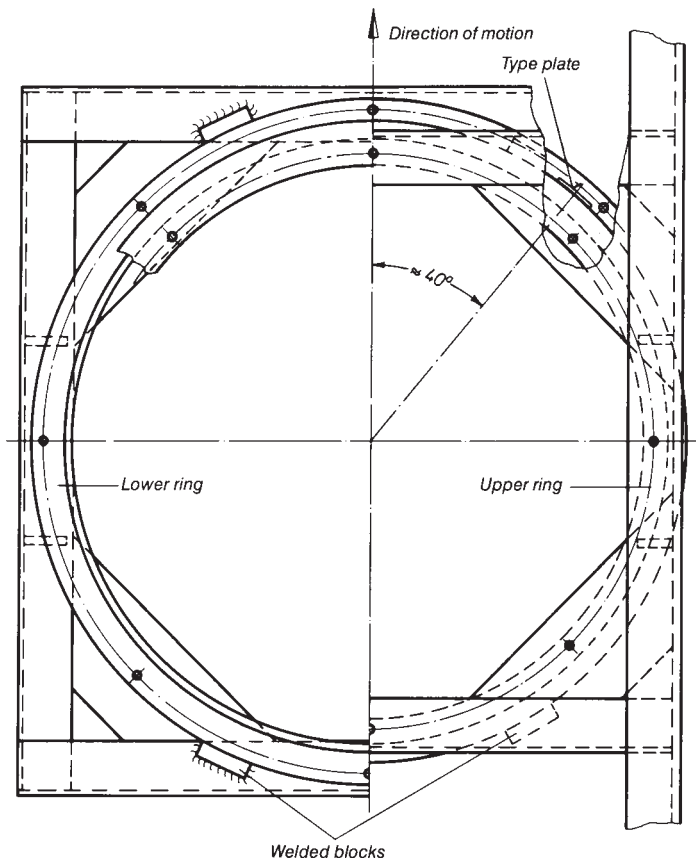
For the turntables of the N series the load limits are only valid for operation on paved roads and under conditions prevailing in Europe.

The axial load can be exceeded by 30 to 50% on the turntables of the N series if the speed is below 30 km/h (18 m.p.h.).

See reverse for fitting and maintenance instructions.

The right to alter specifications is reserved.

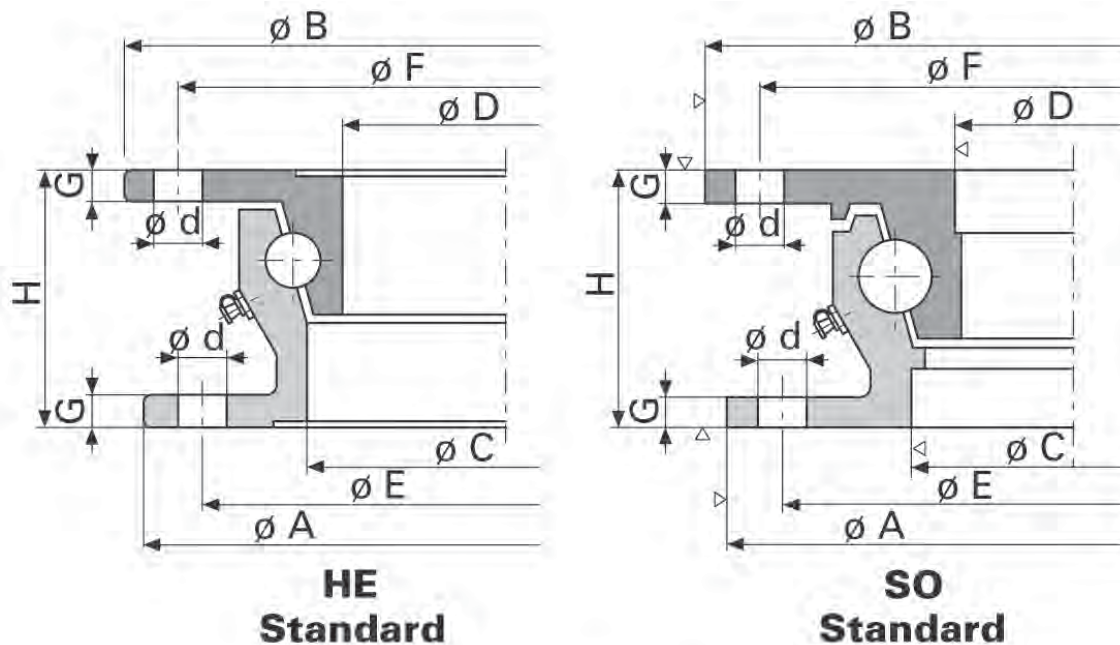
8/08



Fitting and maintenance

1. The ball bearing turntable must be mounted on a completely flat (max. unevenness 1mm) and horizontally and vertically rigid base with at least 50% of the circumference adequately supported. Particular attention should be paid to the support of the web section area containing the ball bearing races. Any unevenness under the flanges can be corrected with metal strips or by filling in with plastic metal.
2. Each flange must be attached with a minimum of 8 high tensile bolts grade 8.8, preferably M 10 x 1,25 (3/8 - 24) or M 12 x 1,5 (7/16-20) for sizes below 650 mm (25 5/8") dia. 4 to 6 bolts are adequate. In case of operation under adverse conditions, we recommend the use of bolts with enlarged contact surface (such as Tensi Lock or Verbus Ripp), or to increase the number of bolts. The thickness of paint between turntable and frame should not exceed 50mm to guarantee the fit to be friction-tight.
3. To ease the shear load on the mounting bolts at least four blocks should be welded on immediately adjoining each flange. The ball bearing turntable must not be mounted by means of welding.
4. JOST turntables are lubricated with a lubricant suitable for the type of operation and the adherent operating conditions before they leave the factory, however, the turntable must be adequately re-lubricated with high quality ball bearing grease (lithium saponified, NLGI class 2) before the trailer is put into operation for the first time. The re-lubrication should build up a collar of grease in the gap between the 2 rings of the turntable thus preventing ingress of grit and water into the ball races.
5. The ball bearing turntable must be lubricated according to use but at least once a month with a lubricant suitable for the type of operation and the adherent operating condition (lithium saponified, NLGI class 2). While lubricating the A-frame should be turned so that the grease is evenly distributed and a collar of grease is being built up in the gap between the 2 rings. The tightness of the mounting bolts should also be checked.
6. Ball bearing turntables are subject to wear. The limit of wear is reached when there is 2,5 mm axial play. This is the case at the very latest when the air gap X=1 mm at any point on the circumference of the turntable.

Series HE and SO for drawbar trailers and special trailers



▽ = Shaped profile

Type	øA mm	øB mm	øC mm	øD mm	øE mm	øF mm	G mm	H mm	ød mm	Weight approx.kg	Axial load kN
*HE 5	880	895	783	762	852	866	9	80	16	43	50
HE18-1000	1000	1008	886	859	960	974	10	90	-	63	80
SO1000-24	987	1000	871	844	952	966	10	90	-	72	120
*SO1100-24	1095	1108	979	952	1060	1074	10	90	18	82	160
KLK HE 1200-22	1200	1211	1086	1059	1160	1174	10	90	18	76	130

Note: SO1000-24 used in SO assembly

Ball bearing turntables are supplied undrilled.

*drilled and primed in black for corrosion protection.

The measurements are subject to our standard tolerances.

The above axial loads are applicable if the slewing ring is mounted to the front axle of the trailer with three/four axles at speeds of up to 105 km/h (65 mph).

They can be exceeded by 10% for full trailers with two axles.

In case of speeds below 30 km/h (18 mph) the axial loads can be exceeded by 20%.

If required axial loads exceed the data permitted for turntables of series HE/SO, please ask for slewing rings of series KDL 900, which allow axial loads up to 250 kN.

In case of use above the steered axle and above the fifth wheel on semi-trailers with rear axle steering please enquire as to the load data giving details of the vehicle.

The load limits are only valid for operation on paved roads and under conditions prevailing in Europe.

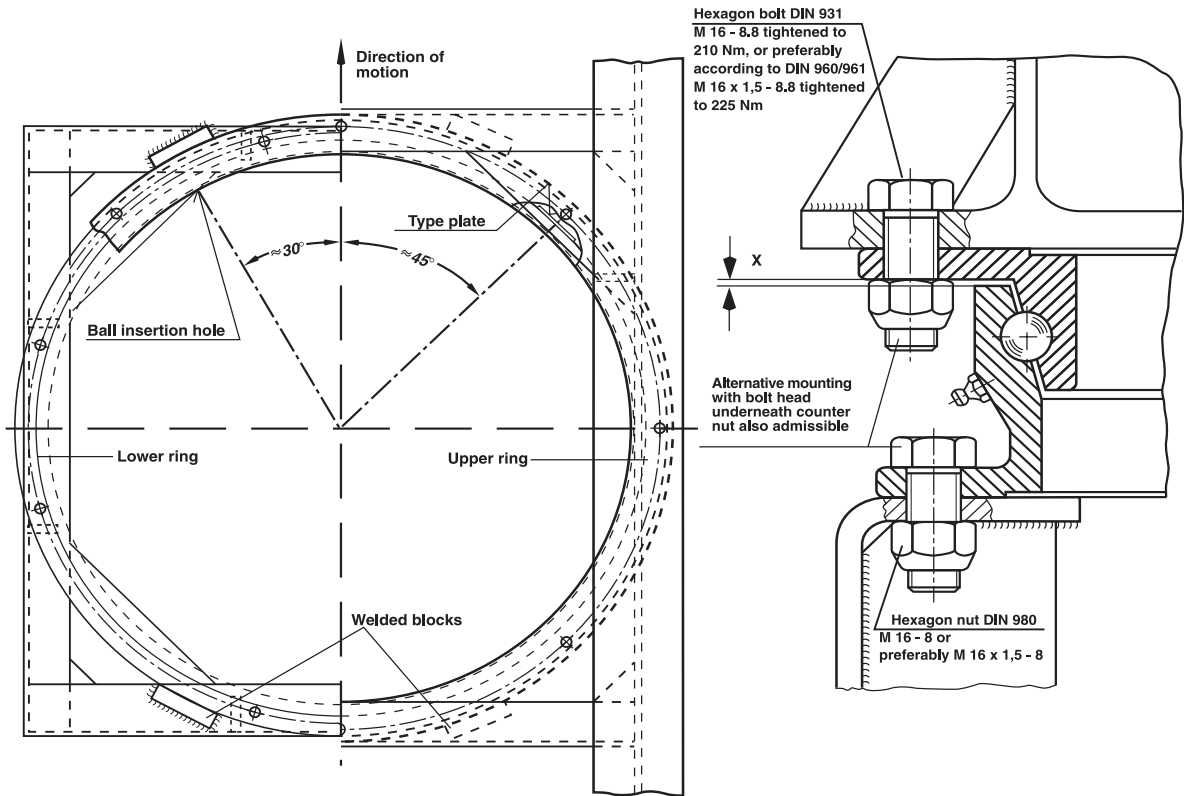
See reverse for fitting and maintenance instructions

The right to alter specifications is reserved

8/08

Jost Australia Pty. Ltd.
Toll Free Sydney 1800 811 487
www.jostaustralia.com.au

Sydney (02) 9838 8100
Brisbane (07) 3272 5777
Melbourne (03) 9360 9001
Perth (08) 9355 4137

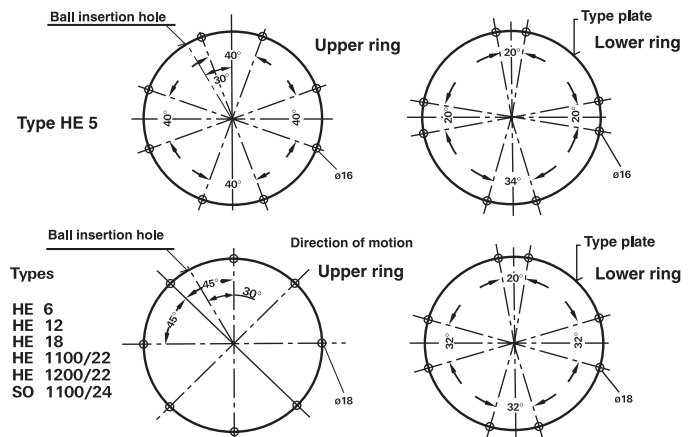


Fitting and maintenance

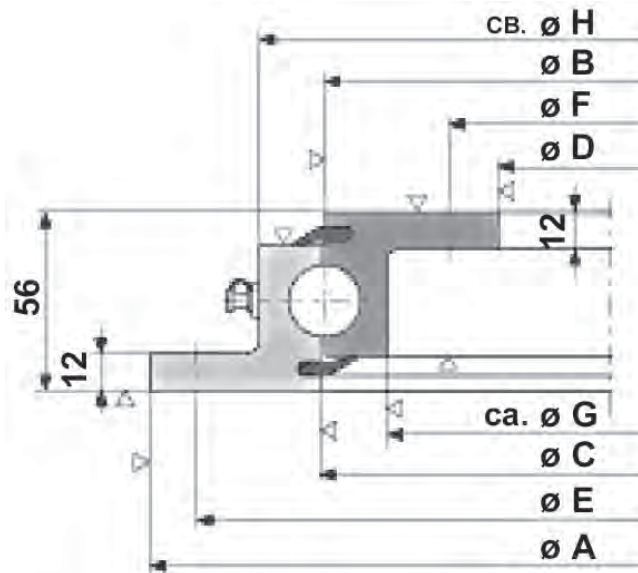
1. The ball bearing turntable must be mounted on a completely flat (max. unevenness 1mm) and horizontally and vertically rigid base with at least 50% of the circumference adequately supported. Particular attention must be paid to the support of the web section area containing the ball bearing races. Any unevenness under the flanges can be corrected with metal strips or by filling in with plastic material.
2. Each flange must be attached with at least 8 high tensile bolts, M 16 x 1,5 of grade 8.8. Do not drill in the area of the type plate ball insertion hole which should be at less than 30° to the direction of travel. In case of operation under adverse conditions, we recommend the use of bolts with enlarged contact surface (such as Tensi Lock or Verbus Ripp), or to increase the number of bolts from 8 to 12 per flange. This applies in particular to type HE1300-22. The thickness of paint between turntable and frame should not exceed 50 mm to guarantee the fit to be friction-tight.
3. To ease the shear load on the mounting bolts at least four blocks should be welded on immediately adjoining each flange. The ball bearing turntable must not be mounted by means of welding.
4. JOST ball bearing turntables are suitably lubricated before they leave the factory. Before the trailer is put into operation for the first time, however, they should be re-lubricated with a high quality lithium-saponified turntable grease of NLGI class 2 through all the grease nipples. The re-lubrication should build up a collar of grease in the gap between the 2 rings of the turntable thus preventing ingress of grit and water into the ball race.
If a central lubrication system is to be used the quantity of lubrication nipples should be increased (please specify when ordering) and the above mentioned grease specification observed, however NLGI consistency class min 1.

5. The ball bearing turntable must be lubricated according to use but at least once a month with a high quality lithium saponified turntable grease of NLGI class 2. Lubricant suitable for the type of operation and the prevailing operating conditions. While lubricating the A-frame should be turned so that the grease is evenly distributed and a collar of grease is being built up in the gap between the 2 rings. The tightness of the mounting bolts should also be checked.
6. Ball bearing turntables are subject to wear. The limit of wear is reached when there is 3,5 mm axial play. This is the case at the very latest when the air gap $X = 0$ mm at any point on the circumference of the turntables.

Drilling pattern for ball bearing turntables



Series KDL 900/6W Low Profile Ballrace Models



▽ = Shaped profile

Type	øA	øB	øC	øD	øE	øF	øG	øH	Weight	Axial load
	mm	mm	mm	mm	mm	mm	approx.mm	approx.mm	approx.kg	kN
KDL 900-1	520	409	412	302	490	332	371	451	25	40
KDL 900-2	650	539	542	432	620	462	501	581	32	80
KDL 900-3	750	639	642	532	720	562	601	681	38	120
KDL 900-4	850	739	742	632	820	662	701	781	44	150
KDL 900-5	950	839	842	732	920	762	801	881	50	180
* KDL 900-6W	1050	939	942	832	1020	862	901	981	56	210
KDL 900-7	1200	1089	1092	982	1170	1012	1051	1131	65	250

The measurements are subject to our standard tolerances.

Model

* **KDL 900-6W** Supplied Pre-Drilled

**Typical applications: Fridge Van's
Stock Crate**

D-Value Rating: 190kN

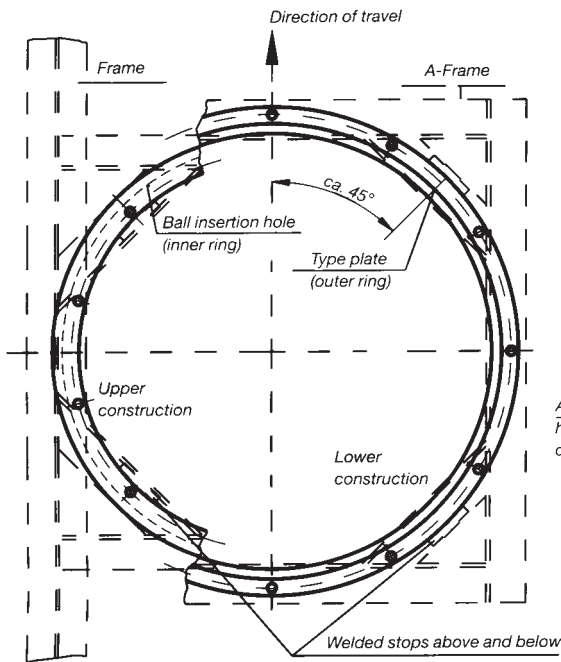
Slewing rings are supplied primed for corrosion protection.

Material C45.

Ball race hardened.

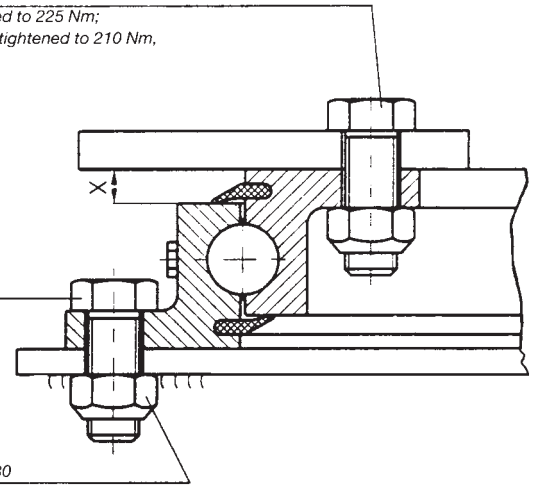
8 conical lubrication nipples AM 8 x 1 according to DIN 71412.

The above axial loads are applicable if the slewing ring is mounted to the front axle of a trailer at speeds of up to 105 km/h (65 m.p.h.). If it is to be used in self steering systems or above a fifth wheel please contact us for the maximum permissible loads by submitting construction data.



Hexagon bolt DIN 960
M16 x 1,5 – 8.8, tightened to 225 Nm;
alternatively M 16 – 8.8, tightened to 210 Nm,
according to DIN 931

Alternative mounting with
head bolt underneath,
counter nut also admissible.



Hexagon nut DIN 980
M 16 x 1,5 – 8 resp. M 16 – 8

Fitting and maintenance

1. The slewing ring must be mounted on a completely flat (max. unevenness 1mm) and rigid base with at least 50% of the circumference adequately supported. Particular attention must be paid to the support of the web section area containing the slewing ring races. Any unevenness under the flanges can be corrected with metal strips or by filling in with plastic metal.
2. Each flange must be attached with at least 12 high tensile bolts M 16 x 1,5 of at least grade 8.8. Do not drill in the area of the ball insertion hole, which should be at less than 45° to the direction of travel. The thickness of paint between slewing ring and mounting should not exceed 50 microns to guarantee the fit to be friction-tight.
3. To ease the shear load on the mounting bolts in the case of horizontal force at least 4 blocks should be welded on immediately adjoining each flange. The slewing ring must not be mounted by means of welding.
4. JOST slewing rings are initially lubricated before they leave the factory. Before they are put into

operation for the first time however they must be adequately re-lubricated with ball bearing grease (lithium saponified, NLGI class 2). Whilst lubricating the slewing ring should be turned so that the grease is evenly distributed. If a central lubrication system is to be used we recommend increasing the number of grease nipples (please state on order) and using a high quality lithium saponified ball bearing grease of at least NLGI class 1.

5. The slewing ring must be lubricated according to use but at least once every 3 months or 25,000 km, using a high quality ball bearing grease (lithium saponified, NLGI CLASS 2). Whilst lubricating the A-frame should be turned so that the grease is evenly distributed .

The tightness of the mounting bolts should also be checked at regular service intervals.

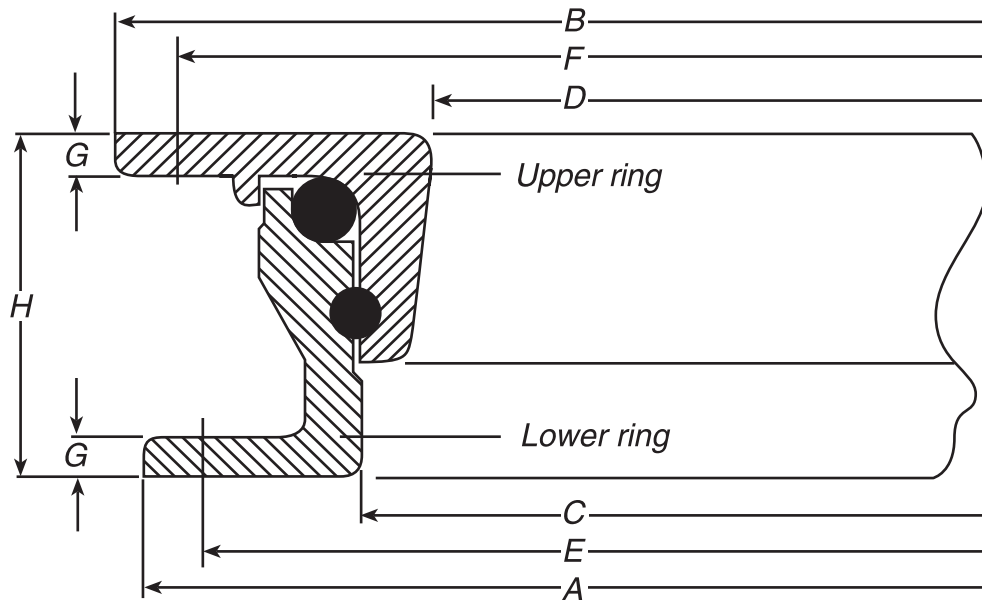
6. Slewing rings are subject to wear. The limit of wear is reached when the axial play is 3.5 mm. This is at the latest the case when the distance $X < 8$ mm at any point on the circumference.

Wear Limits

Radial play - max. 3.0mm

Axial play - max. 2.5mm

Model: DK 90/14



Type	A mm	B mm	C mm	D mm	E mm	F mm	G mm	H mm	Weight approx. kg	Axial load t
DK 90/14	987	1000	871	834	952	966	10	90	72	14

***Note: This ballrace comes undrilled.**

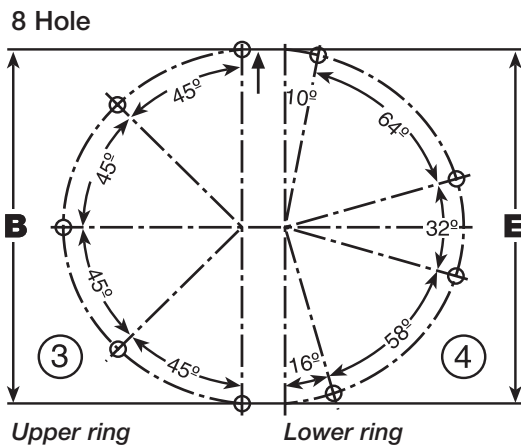
• Typical Application:

**Dairy Tankers
Sludge Tankers
Tri axle Tipping
Trailers**

D-value 162.4 kN

- BPW turntables are equipped with supporting and retaining ball races between the upper and lower rings.
- The axial forces on the turntables are accepted vertically via the large supporting ball bearings.
- The horizontal tensile and compressive forces incurred are accepted by the smaller retaining ball bearings.

- The moment forces resulting from braking and centrifugal forces, are mutually accepted by the supporting and retaining ball bearings.
- The retaining ball bearings connect the upper and lower turntable rings.
- The design principle ensures maximum reliability because the active axial and radial forces are distributed between the two ball races of BPW turntables.
- The ball races are permanently protected against dirt and dust by a multi-lip seal.



Drilling Pattern for DK90/14

Design and fitting instructions

- The max. axial load (see table) is the static axial load acting on the turntable. This value is valid in the direction of force only for vehicles with speeds up to 105 km/h. A 25% increase of axial load is permissible for vehicles with speeds up to 30 km/h. The code number, manufacturing details, type of turntable and the permissible axial load are stamped into the type plate.
- The support construction of the lower and upper rings must be levelling and has to be free of torsion because otherwise deformation can occur during use which will endanger the operational dependability. The unevenness of the supporting surfaces should not exceed 1 mm. Larger uneven areas must be compensated. The supporting surface, when divided into at least 4 surface areas of equal size around the circumference, must support at least 50% of the turntable flanges.
- After being bolted together, the turntable flanges must be additionally secured at the top and bottom by at least 4 welded plates (stoppers). This prevents displacement so that the active forces are not solely absorbed by the connecting bolts.
- We recommend the installation of drilled

Service and maintenance

- The turntable bearing is to be lubricated via the grease nipples with special longlife grease ECO-Li 91 (lithium complex grease) every 25,000 km, but at least after every 3 months (or after every 2 - 3 weeks under extreme operational conditions). The grease must not be mixed with other (calcium-base or sodium-base) lubricants.
- As the turntables are only slightly lubricated when supplied, they must be lubricated with BPW special longlife grease ECO-Li 91 (lithium complex grease) via the grease nipples prior to initial operation.
- turntables are not suitable for applications where multiple rotational movements in excess of 360° occur.
- All screw connections are to be inspected at regular intervals for tightness and tightened if necessary.
- Wear Limits
Radial play - max. of 2.0mm
Axial play - max. of 3.0mm

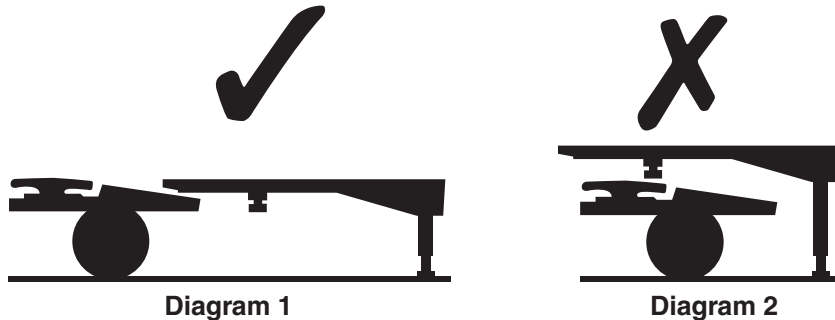
JOIST



**Fifth wheel couplings
2"**

STOP

DRIVERS ensure that you get a ✓ when coupling!



Failure to ensure that trailer rubbing plate is set below the fifthwheel plate when coupling up could result in loss of your trailer or damage to your truck or trailer.

Regardless of whether you have air or spring suspension, **ALWAYS** follow the coupling CODE to ensure the king pin is securely engaged with the fifthwheel.

This following coupling CODE is issued by JOST Australia Pty Ltd.

THE COUPLING CODE

The fifthwheel must be angled down to the rear of the truck and the mechanism in the pre-set position.

Ensure that the trailer rubbing plate is below the height of the fifthwheel plate (refer Diagrams 1 and 2).

Reverse the truck slowly under the trailer, aligning the king pin with the centre of the fifthwheel.

Continue reversing until the mechanism locks and secures the king pin.

Pull forward against the trailer brakes to ensure engagement of the king pin in the fifthwheel.

Visually check to see that there is no gap between the fifthwheel plate and trailer rubbing plate and that the king pin is secured correctly within the fifthwheel mechanism.

Finally, ensure that the automatic secondary locking device is engaged (as per Diagram 3). If it is not engaged, the whole coupling up procedure must be repeated.

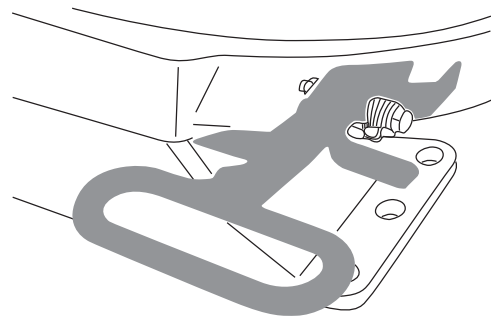


Diagram 3

Failure to read, understand and follow the important information contained above may result in a hazardous condition or cause a hazardous condition to develop.

NOTICE TO ALL DRIVERS **GREASELESS FIFTHWHEELS**

THE COUPLING CODE

The fifthwheel must be angled down to the rear of the truck and the mechanism in the pre-set position.

Ensure that the trailer rubbing plate is level with the height of the fifthwheel plate (refer Diagrams 1 and 2).

Reverse the truck slowly under the trailer, aligning the king pin with the centre of the fifthwheel.

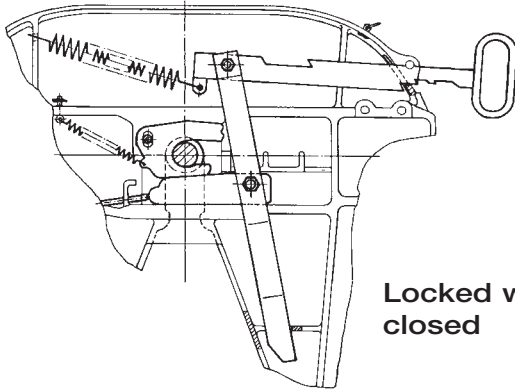
Continue reversing until the mechanism locks and secures the king pin.

Pull forward against the trailer brakes to ensure engagement of the king pin in the fifthwheel.

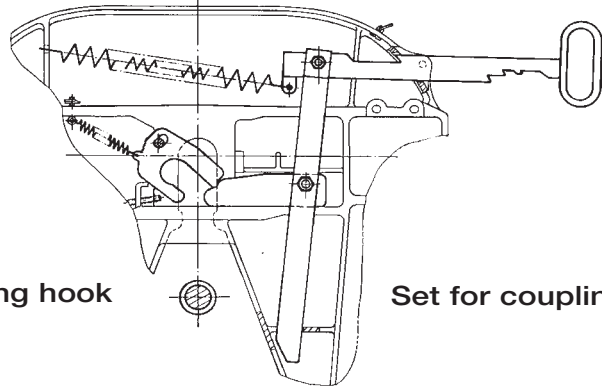
Visually check to see that there is no gap between the fifthwheel plate and trailer rubbing plate and that the king pin is secured correctly within the fifthwheel mechanism.

Finally, ensure that the automatic secondary locking device is engaged (as per Diagram 3). If it is not engaged, the whole coupling up procedure must be repeated.

Locking device



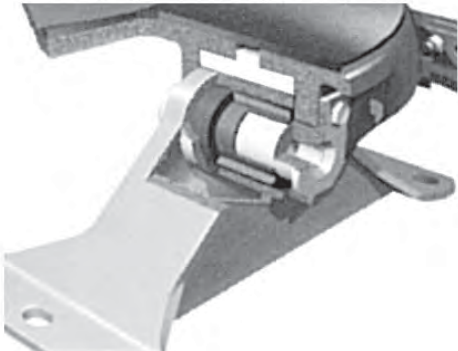
Locked with spring hook closed



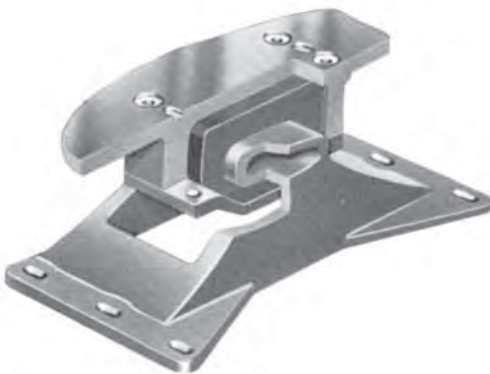
Set for coupling

- Automatic setting to couple up
- Fully adjustable wear
- Easy maintenance

Type of mounting



E = Pivot bearing mounting
Slack and maintenance free.
Oil and grease resistant



C = Rubber mounting
Shock absorbing by large rubber pads.
Slack and maintenance free.
Oil and grease resistant

New top plate liner installation to the JOST low maintenance fifth wheel type JSK37CW + JSK37EW

In order to make the assembly and removal of the exchangeable top plate liner easy we will introduce an improvement to the above mentioned fifth wheel.

In future the bolt SKT001006000 will be used instead of the mounting kit (bolt with counter nut) SK3121-062.

By using the new bolt it is no longer necessary to use the counter nut on the under side of the fifth wheel plate and therefore the exchange of the liner is obviously simplified.

At the same time the contact for the assembly tool was changed from hexagon socket 6mm to hexalobular ISO10664-45. The exchanged of seized screws will be improved by using this system.

The holes on the liner were adapted to the new bolt. The exchangeability is guaranteed when the liner and bolts in this new form are used. This means, the old liner cannot be used with the new bolt and vice versa.

The spare parts numbers have been changed as follows:

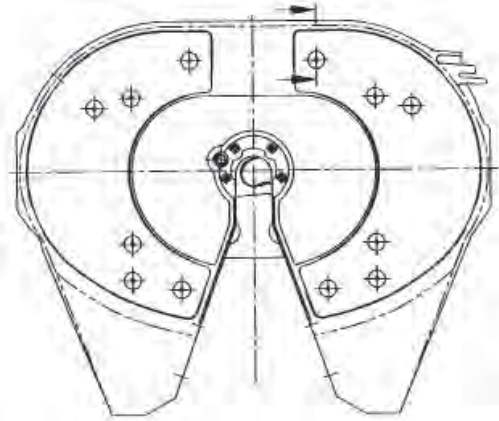
	Old	New
Repair-kit compl.	SK 3106-006	SK 3106-007
Screw	SK 3121-062	SKT001006000
Top plate liner, right	SK 3105-129R (10mm)	SK 3105-130R (10mm)
Top plate liner, left	SK 3105-129L (10mm)	SK 3105-130L (10mm)
Tightening torque of the screw	20Nm	45Nm

The assembly instructions will be enclosed with each spare part.

The change will be valid from October 2003.

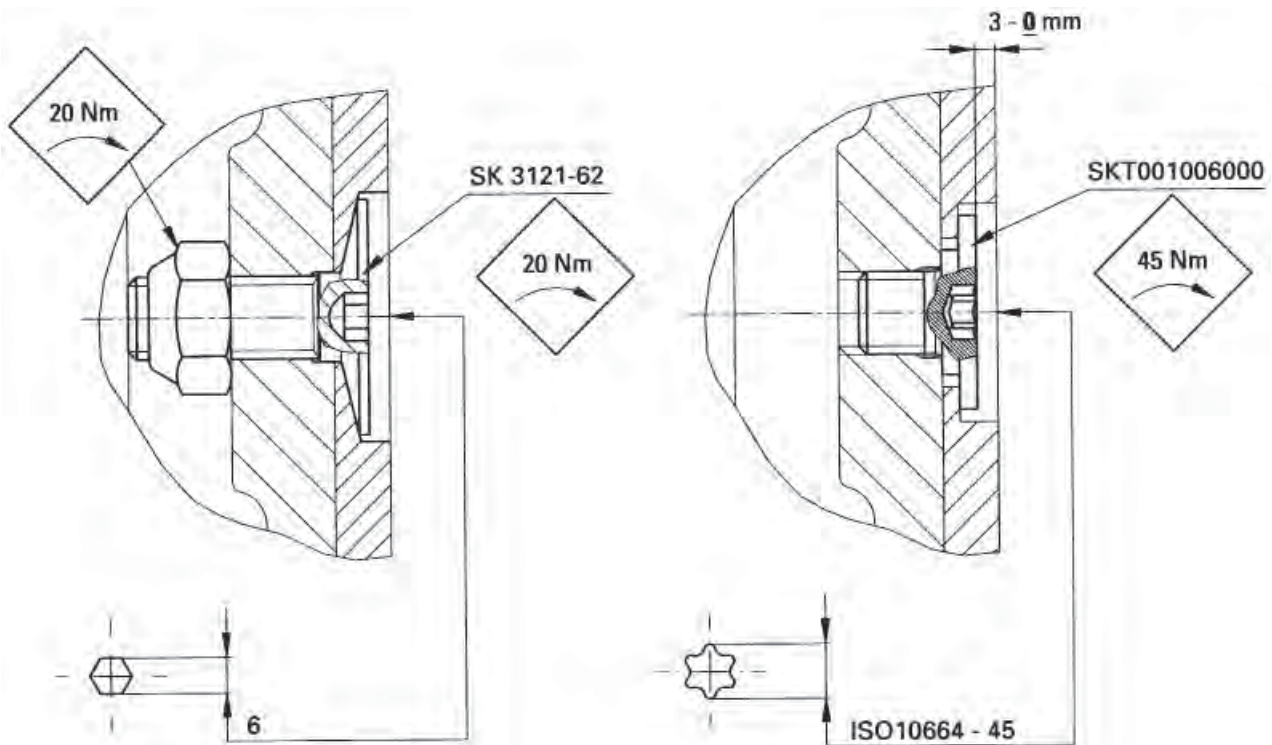
SK 3106-007

Mounting Instructions

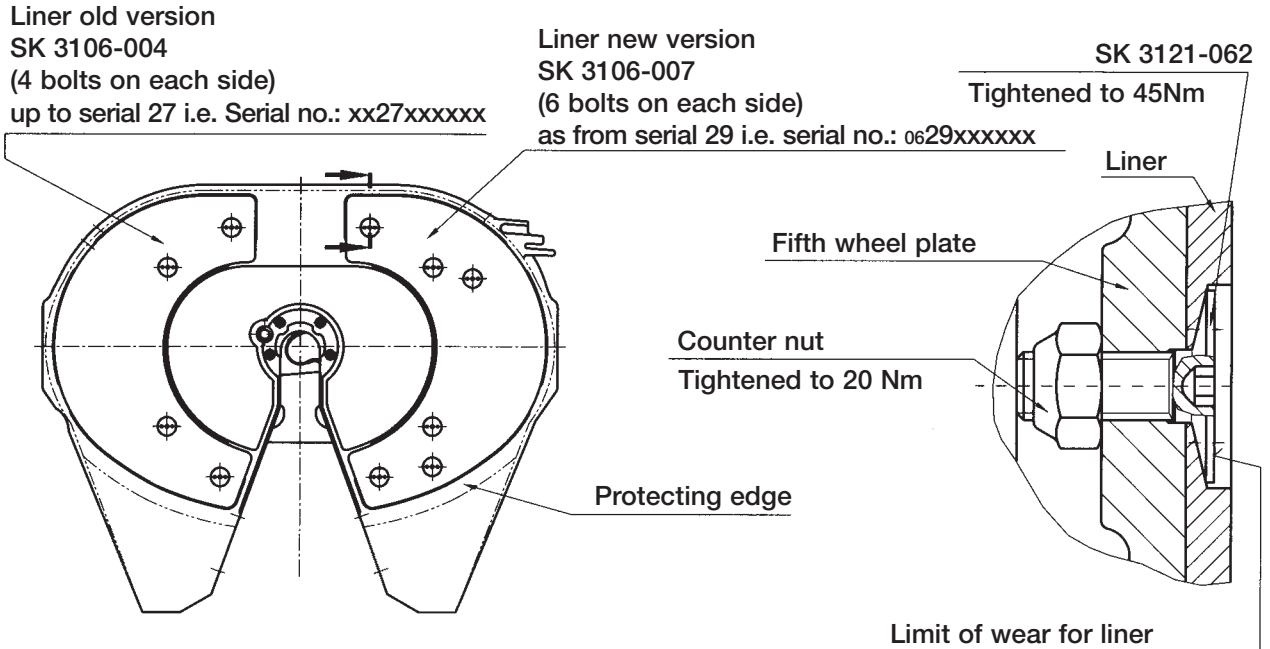


Old

New



Mounting instructions for complete top plate liners SK 3106-004 and SK 3106-006



User information

General

The supporting area of the fifth wheel is fitted with a replaceable top plate liner, which is maintenance free apart from intermittent cleaning. A thin layer of grease on the liner will have no adverse effect, i.e. there is no problem in coupling up trailers with greased skid plate.

In order to avoid damage during the coupling up manoeuvre there is a raised edge at the point where the skid plate moves onto the top plate liner. Wear on this edge is normal and does not affect the life expectancy of the liner.



The front edge of the skid plate must be rounded or chamfered, so that it does not damage the liner during the coupling up manoeuvre. The surface must be smooth with no protruding edges, burrs must be removed.

The plastic liner has a higher expansion coefficient than steel. If exposed to direct sunlight, a certain deformation is therefore inevitable. It does not however have any negative effect on its function or on the life expectancy.

After cooling down it will return to its original shape.

Control for wear

The liner must be regularly checked for wear and damage according to its usage, at the latest 50,000 Km or six months. When replacing the bolts must be tightened to a torque of 20Nm, or 45Nm for part no SKT001006000. The liner must be replaced when the surface has worn down to the upper level of the fixing bolts.

Information About waste disposal

After having been cleaned the used top plate liners can be disposed of with normal household waste, or recycled.

Material: See identification on the liner

Coupling Code

The fifth wheel must be angled down to the rear of the tractor and the mechanism in the present condition.

Ensure that the trailer rubbing plate is level with the height of the fifth wheel plate. Reverse the tractor slowly under the trailer aligning the king pin with the centre of the fifth wheel.

Continue reversing until the mechanism locks and secures the king pin. Pull forward against the trailer brakes to ensure engagement of the king pin in the coupling.

Visually check to see that there is no gap between the fifth wheel plate and the trailer rubbing plate and that the king pin is secured correctly within the fifth wheel mechanism.

Ensure lock catch is secured in the locked position.

Selection criteria

The main characteristics of the Jost low maintenance fifth wheel coupling JSK 37 are their excellent sliding properties (equivalent to a well lubricated fifth wheel) and their long life.

The fifth wheel was designed in particular for articulated vehicles with high mileage which are rarely uncoupled and run for long periods between services, e.g. tankers and tilts.

This high quality, low maintenance fifth wheel will offer you a long life span if you

- Couple up carefully: the fifth wheel should be at the same height as the skid plate (air suspension vehicles are advantageous)
- Make sure that the skid plate resp. guide rails to the skid plate are the correct size. They should have no sharp edges, steps or welding seams in the coupling up area.
- Ensure a flat, smooth surface of the skid plate and contact area.
- Grease the skid plate lightly to protect it from corrosion. The liner is not adversely affected by grease.

if these points are not observed the liner may be damaged.

Articulated vehicles with more complex load requirements (e.g. on building sites) and/or semi-trailers with rigid chassis (e.g. tankers) are liable to increase wear on the liner.

The liner is bolted onto the fifth wheel and can be easily replaced.

Maintenance of the locking mechanism

Lubrication of the liner is not necessary.

The fifthwheel has only one lubrication point for the lock jaw.



Uncouple at the latest every 50,000 Km or six months, depending on usage. Clean the fifth wheel with liner and the skid plate. Check the liner for damage and wear. Lubricate the lock jaw and king pin with high pressure grease (EP) with MoS₂ or graphite additive (e.g. L21M, Esso universal grease M or Shell Retinax AM).

The grease nipple on the edge of the fifth wheel plate is for lubricating the lock jaw and king pin between service.



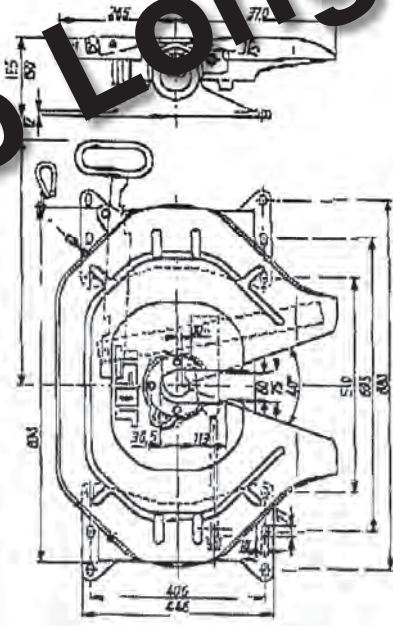
The life expectancy of the lock jaw and king pin depend on effective lubrication before being put into service and after every cleaning operation.

For further information please refer to the jost repair instruction booklet.

Type JSK 32 AV



Type JSK 32 AV
with 6 hole drilling pattern
according to DIN standard



Mounting height 185 mm or 150 mm.

Lock jaw and wear ring can be changed without difficulty in a few minutes with the fifth wheel still in position.

Spherical mounting.
Suitable for all types of rear axle steering systems.

CRN	26278
Imposed load	12000 kg
Total weight of outfit	32000 kg
D-value	160 kN
Weight approx.	110 kg
Type approval number (Germany)	F 3117
(Netherlands)	RDW 1601 0251

Mounting hole pattern in accordance with
DIN standard 74081 and ISO standard 3842.

The above loads apply to operation on ordinary roads and ordinary operating conditions as they are to be found in Europe. If the fifth wheels are being operated in other territories or under other conditions we would ask you to contact us regarding the type of fifth wheel to be used.

Mounting must be carried out in accordance with our instructions.

The right to alter specifications is reserved.

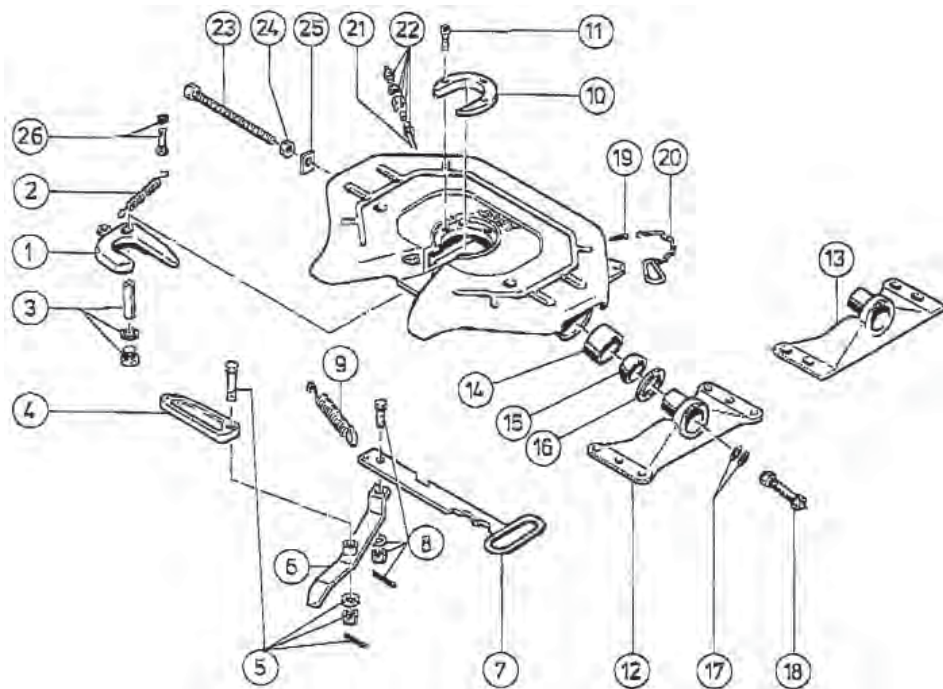
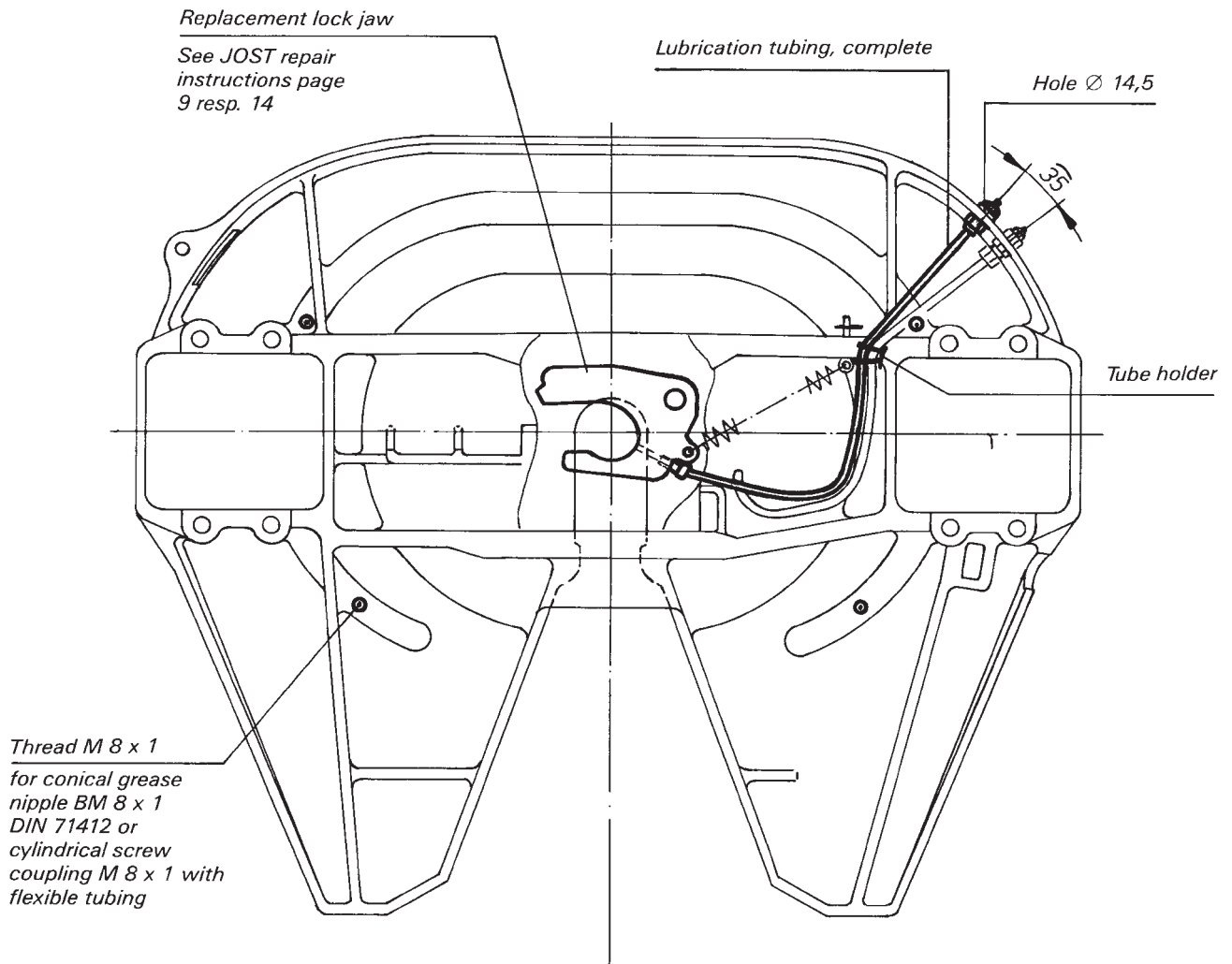


Fig.	Description	Part No.
1	Lock jaw	SK 1489
2	Lock jaw spring	SK 847
3	Pivot complete	SK 2122-05
4	Locking bar	SK 3205-06
5	Pivot	SK 3221-01
6	Lever	SK 3205-01
7	Operating handle	SK 3205-04
8	Head bolt	SK 1513
9	Double tension spring	SK 3105-20
10	Wear ring	SK 2105-19
11	Socket head bolt	SK 2121-07
12	Pedestal 185 mm, 6 holes	SK 2104-03
12	Pedestal 150 mm, 6 holes	SK 2104-04
13	Pedestal 185 mm, 4 holes	SK 2104-16
13	Pedestal 150 mm, 4 holes	SK 2104-17
14	Outer ring	SK 803-2
15	Inner ring	SK 803-1
16	Seal	SK 809-1
17	Spring washer	SK 1428
18	Bolt complete with item 17	SK 870-1
19	Split pin	SK 1974
20	Spring hook	SK 2921-06
21	Grease tube	SK 3205-09
22	Grease nipple complete	SK 1976
23	Adjusting screw	SK 3205-08
24	Hexagon nut	SK 2121-78
25	Guide piece	SK 3205-07
26	Eye bolt complete	SK 2122-04
1,2,3,10,11	Repair Kits Repair kit for locking device	SK 3221-50
1,2,3	Repair kit for locking device	SK 3221-52
1,2,3,8	Repair kit for locking device	SK 3221-68
10,11,20		
14,15,16,18	Repair kit for spherical joints	SK 2121-53

Models JSK 37 Series

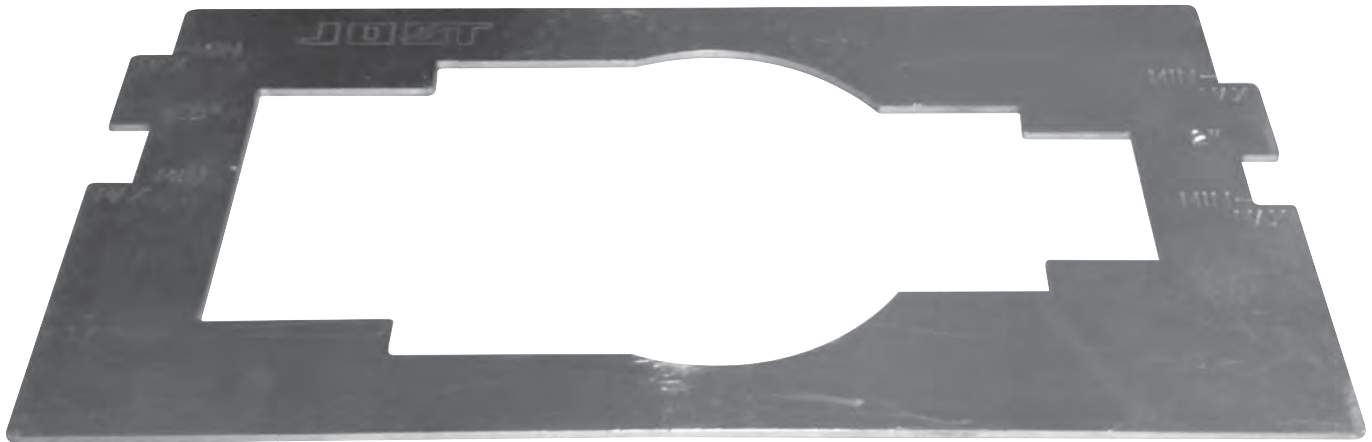


The drawing shows JSK 37 C-Z

The fifth wheels JSK 37 CZ and JSK 37 E Series are supplied with additional lubrication for the lock jaw and the king pin.

In order to connect the fifth wheels to the central lubrication system of the prime mover it is necessary to replace the 4 grease nipples under the fifth wheel plate and the 2 at the side with suitable screw couplings and connect them to flexible tubing, which is in turn joined up to a distributor unit compatible with the respective central lubrication system.

As a lubricant we recommend grease or liquid grease. Fifth wheels with central lubrication should be thoroughly cleaned and inspected for wear, damage and correct functioning at least once a year, or at the latest after 50,000 km, and repaired if necessary. Before coupling up again the fifth wheel and the king pin should be manually lubricated with high pressure grease (EP) with MoS₂ or graphite additive.

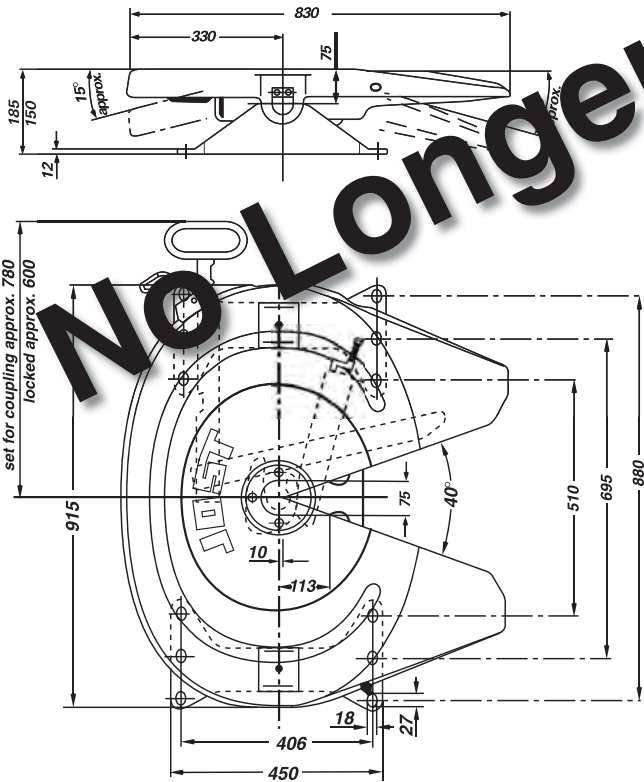


Above item is designed as a NO GO wear limit indicator, for either 50mm or 90mm king pins.

Once king pin can pass through gauge the king pin must be replaced.

Also designed to check king pin protrusion.

Type JSK 36AV2



Application: Tipper Work

Available with fabricated weld on Pedestals upon request.

Rubber cushioned pivot bearings.

Wearing ring easy to remove from above.

Gross comb. weight **115000 kgs**

D-value **190kN**

Weight approx. **157 kgs**
(for 150mm bolt on feet height)

Mounting hole pattern in accordance with DIN standard 74081 and ISO standard 3842.

Mounting must be carried out in accordance with our instructions.

Type	Overall Height mm	Imposed Load On Tractor kg	D-Value kN	Weight Approx. kg	Pedestal Style
JSK 36 AV2 130	130	20000	190	123.50	Weld on
JSK 36 AV2 150	150	20000	190	123.50	Weld on
JSK 36 AV2 170	170	20000	190	125.00	Weld on
JSK 36 AV2 185	185	20000	190	128.50	Weld on
JSK 36 AV2 195	195	20000	190	130.00	Weld on
JSK 36 AV2 205	205	20000	190	131.50	Weld on
JSK 36 AV2 215	215	20000	190	132.00	Weld on
JSK 36 AV2 235	235	20000	190	133.50	Weld on
JSK 36 AV2 255	255	20000	190	136.50	Weld on

The right to alter specifications is reserved.

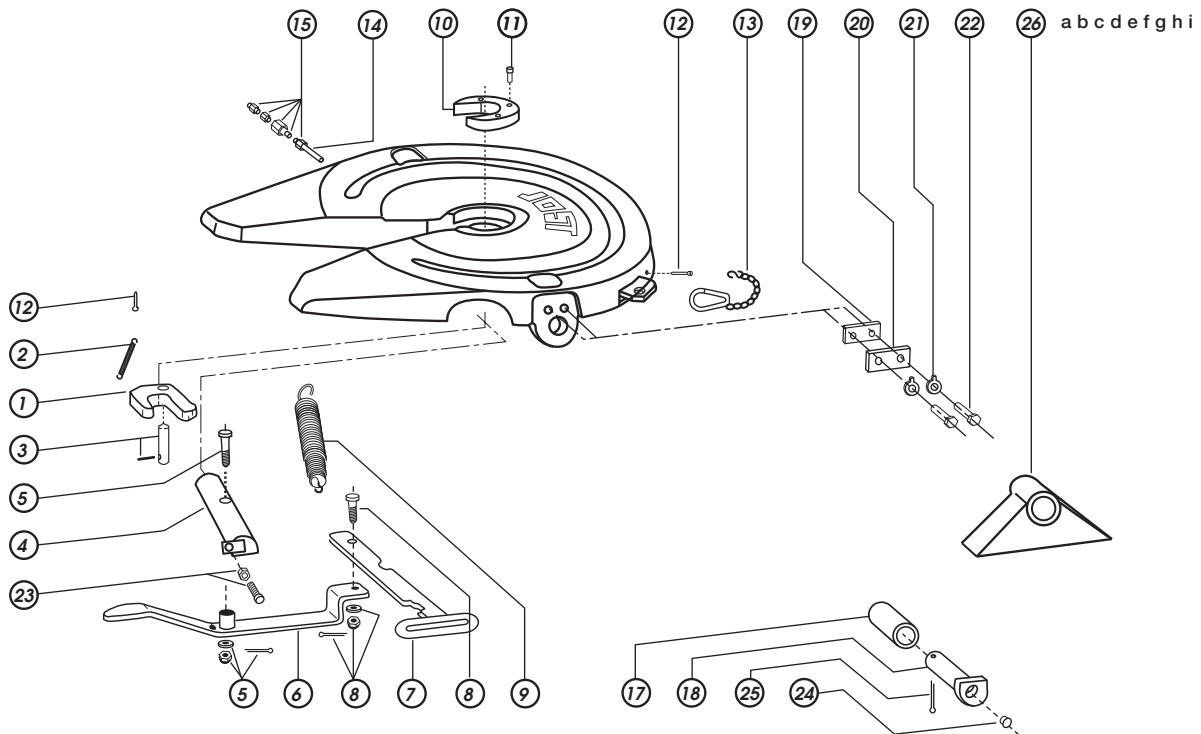
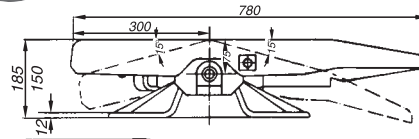
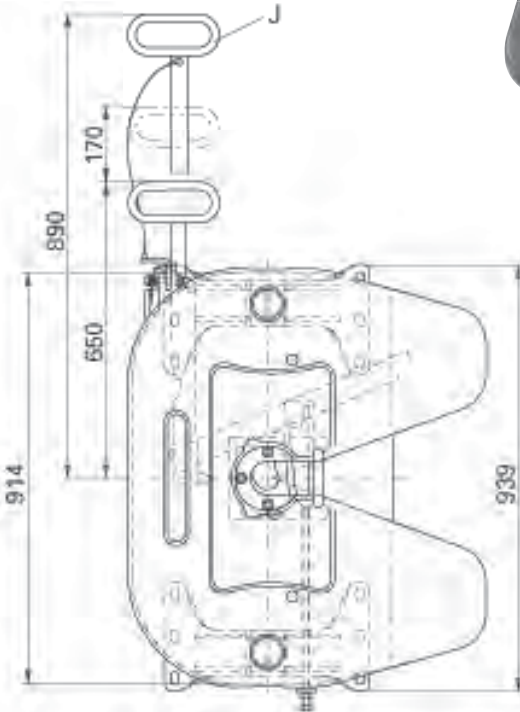


Fig.	Description	Part No.
1	Lock jaw	SK 2105-15
2	Lock jaw spring	SK 847
3	Pivot complete	SK 2121-13
4	Locking bar	SK 2106-31
5	Pivot complete	SK 2122-25
6	Release lever	SK 2105-01
7	Operating handle	SK 2105-07
8	Head bolt	SK 1513
9	Double tension spring	SK 2105-11
10	Wearing ring	SK 2105-19
11	Socket head bolt	SK 2121-07
12	Split pin	SK 1790
13	Spring hook, chain	SK 1436
14	Grease tube	SK 2105-28
15	Grease nipple complete	SK 1976
17a	Rubber bushing for bolt on feet	SK 2905-20
18	Swivel pin	SK 2106-18
19	Stop	SK 2106-24
20	Stop for swivel pin	SK 2106-23
21	Washer with tap	SK 2521-20
22	Hexagon screw	SK 2521-17
23	Adjusting screw	SK 2121-76
24	Plug	SK 2122-08
25	Split pin	SK 2921-04
26a	Fabricated Pedestals 130	SK 2920-130
26b	Fabricated Pedestals 150	SK 2920-150
26c	Fabricated Pedestals 170	SK 2920-170
26d	Fabricated Pedestals 185	SK 2920-185
26e	Fabricated Pedestals 195	SK 2920-195
26f	Fabricated Pedestals 205	SK 2920-205
26g	Fabricated Pedestals 215	SK 2920-215
26h	Fabricated Pedestals 235	SK 2920-235
26i	Fabricated Pedestals 255	SK 2920-255

Item	Designation	Order No.
1, 2, 3, 10, 11	Repair kit for lock	SK 2121-50
1, 2, 3	Repair kit for lock	SK 2121-52

Type JSK 36DV1 Pressed Steel



Rubber cushioned pivot bearings

Application: General Freight Tipper work

For use with single trailers and B Double
(not Road Train)

D-value 170kN CRN 26277

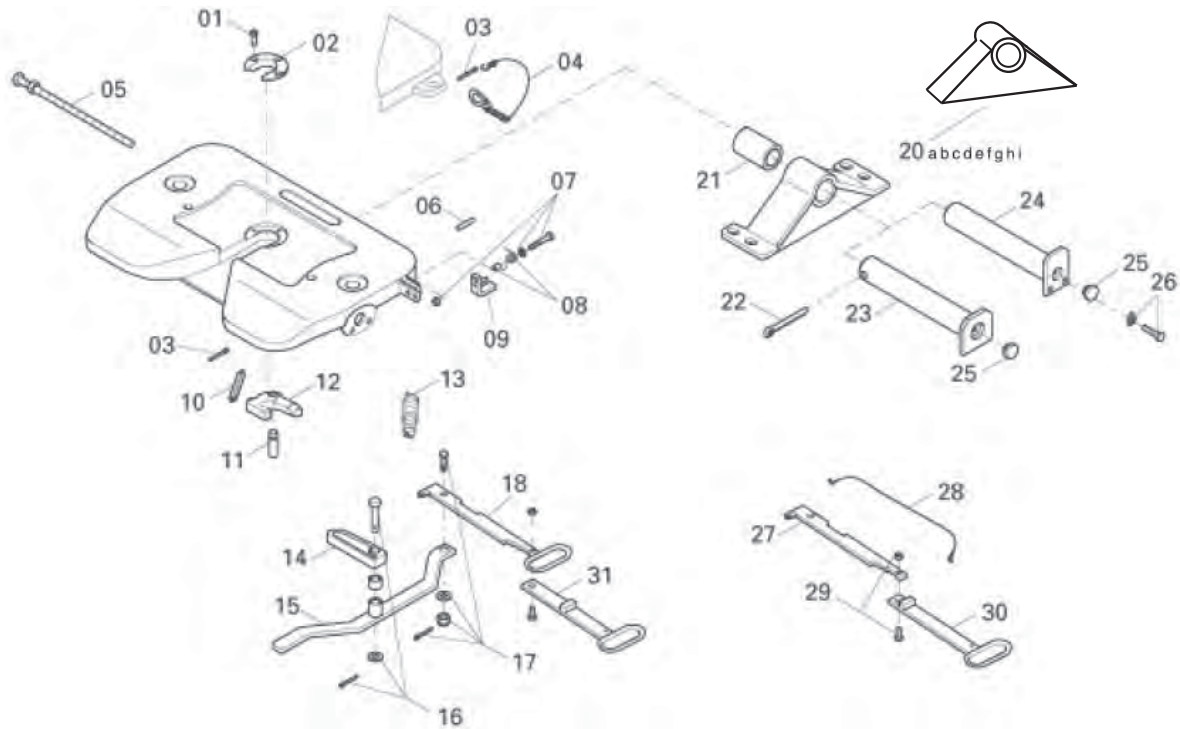
Weight approx. 136kg (bolt on feet)
(for 150mm height)

Available with Fabricated-weld on Pedestals
upon request.

Mounting must be carried out in accordance with our instructions.

Type	Overall Height mm	Imposed Load On Tractor kg	D-Value kN	Weight Approx. kg	Pedestal Style
JSK 36 DVI 130	130	20000	170	112	Weld on
JSK 36 DVI 150	150	20000	170	115	Weld on
JSK 36 DVI 170	170	20000	170	118	Weld on
JSK 36 DVI 185	185	20000	170	118	Weld on
JSK 36 DVI 195	195	20000	170	120	Weld on
JSK 36 DVI 205	205	20000	170	122	Weld on
JSK 36 DVI 215	215	20000	170	125	Weld on
JSK 36 DV1 235	235	20000	170	125	Weld on
JSK 36 DV1 255	255	20000	170	127	Weld on

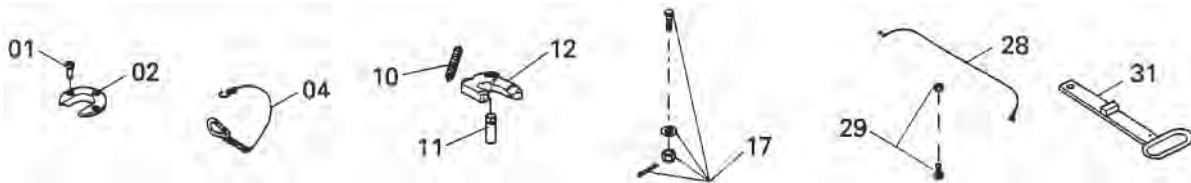
The right to alter specifications is reserved.



Item	Designation	Order No.	Quantity per JSK
01	Socket head bolt	SK 2121-07	3
02	Wearing ring	SK 2105-19	1
03	Split pin	SK 1974	1
04	Spring hook	SK 1436	1
05	Adjusting screw	SK 2700-44	1
		SK 2905-51	1
06	Clamping pin	000.003.027	1
07	Hexagon bolt, compl.	SK 3521-03	1
08	Spring noose, compl.	SK 2921-30	1
09	Latch, compl.	SK 3121-52	1
10	Tension spring	SK 847	1
11	Bolt	SK 2106-67	1
12	Lock Jaw	SK 1489	1
13	Double tension spring	SK 3105-20	1
14	Locking bolt	SK 2905-06	1
15	Lever	SK 2105-01	1
16	Bar bolt, compl.	SK 2921-02	1
17	Hexagon bolt, compl.	SK 1513	1
18	Handle	SK 2905-01	1
	(standard version)	SK 2905-111	1

Item	Designation	Order No.	Quantity per JSK
20a	Fabricated Pedestals 130	SK 2920-130	1
20b	Fabricated Pedestals 150	SK 2920-150	1
20c	Fabricated Pedestals 170	SK 2920-170	1
20d	Fabricated Pedestals 185	SK 2920-185	1
20e	Fabricated Pedestals 195	SK 2920-195	1
20f	Fabricated Pedestals 205	SK 2920-205	1
20g	Fabricated Pedestals 215	SK 2920-215	1
20h	Fabricated Pedestals 235	SK 2920-235	1
20i	Fabricated Pedestals 255	SK 2920-255	1
21	Rubber bushing, compl.	SK 2905-20	2
22	Split pin	SK 2921-04	2
23	Pivot pin with 22 + 25	SK 2921-24	2
24	Pivot pin	SK 2905-53	2
24a	Pivot pin with 25	SK 2904-99	2
25	Plug	JS 1101-12	2
26	Hexagon bolts, compl.	SK 2921-038	2
27	Locking bar	SK 2905-106	1
28	Latch cord, compl.	SK 3521-02	1
29	Hexagon bolt, compl.	SK 2421-50	1
30	Handle	SK 3105-113	1

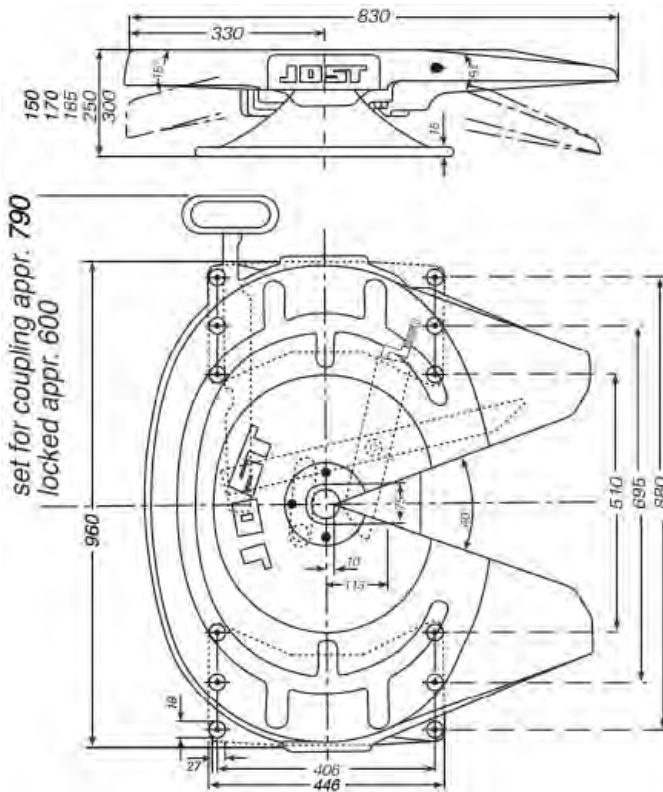
Repair and retrofit kits



Item	Designation	Order No.
01, 02, 10, 11, 12	Repair kit for lock	SK 3221-50
01, 02	Repair kit for lock	SK 2121-51
10, 11, 12	Repair kit for lock	SK 3221-52
01, 02, 04, 10, 11, 12, 17	Repair kit for lock	SK 3121-50

Item	Designation	Order No.
01, 02, 10, 11, 12, 17	Repair kit for lock	SK 3121-51
07, 08, 09	Repair kit for lock	SK 3121-52
28, 29, 31	Handle extension, compl. from xx89xxxx	SK 2921-031

Type JSK 36 CV with wear ring



Application: Tanker

General freight

Fridge van

B-double & Road train.

Chassis Tippers

Wear ring is easy to remove from above.

**Shock absorption large rubber pads.
(Oil and grease resistant)**

Gross comb. weight 135000 kgs

D-value 190kN

**Weight approx. 157 kgs
(for 150mm Height)**

Type	Overall Height mm	Imposed Load On Tractor kg	D-Value kN	Weight Approx. kg	CRN
JSK 36 CV/150	150	20000	190	157	16358
JSK 36 CV/170	170	20000	190	160	
JSK 36 CV/185	185	20000	190	162	
JSK 36 CV/250	250	20000	190	170	
* JSK 36 CV/300	300	20000	190	185	

* Non Weldable Pedestals

The right to alter specifications is reserved.

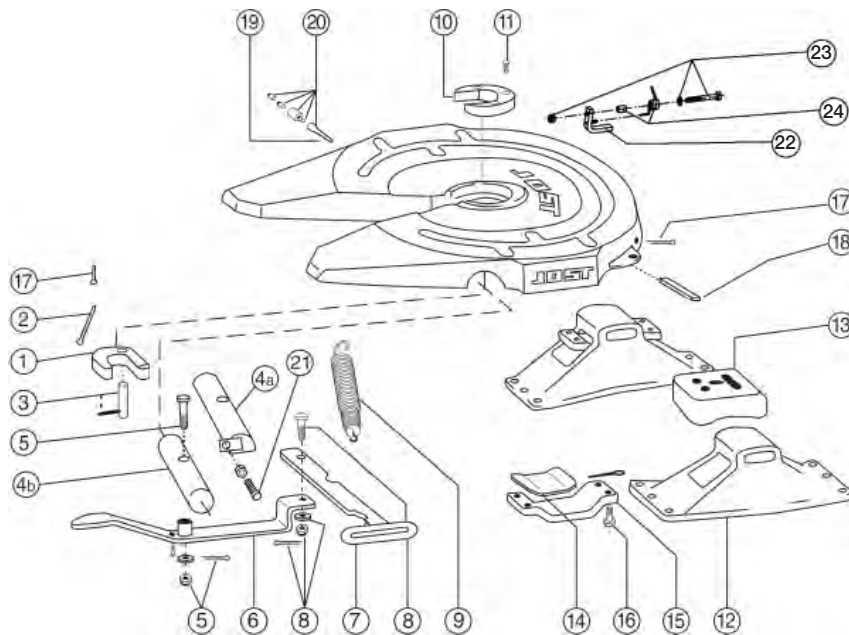
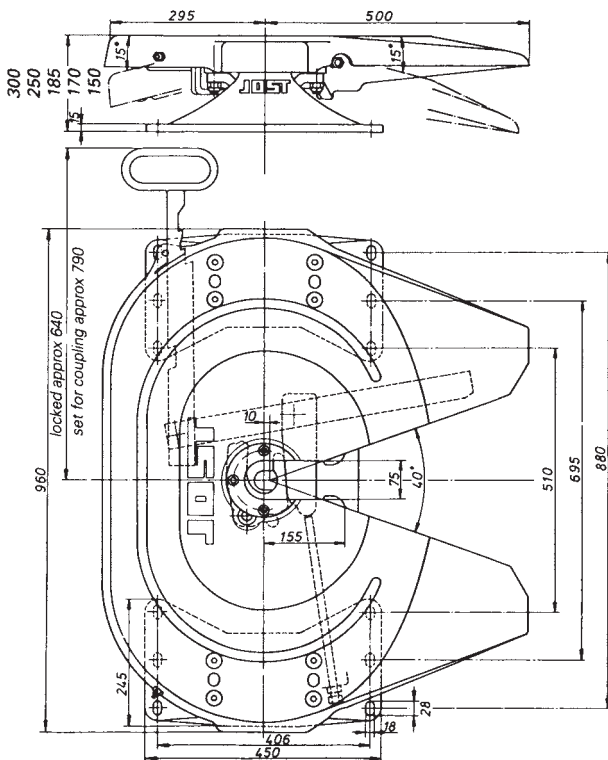


Fig.	Description	Part No.
1	Lock jaw	SK 2105-15
2	Lock jaw spring	SK 847
3	Pivot for lock jaw	SK 2121-13
4a	Locking bar manual adjust after 1992	SK 2106-31
4b	Locking bar auto adjust pre 1992	SK 2105-17
5	Locking bar bolt	SK 2122-25
6	Lever	SK 2105-01 CV
7	Operating handle	SK 2105-07
8	Head bolt	SK 1513
9	Double tension spring	SK 2105-11
10	Wearing ring	SK 2105-19
11	Socket head bolt	SK 2121-07
12a	Pedestal (170 mm) Bolt on Pedestals	SK 2104-21
12b	Pedestal (300 mm) Non Weldable/bolt on Pedestals	SK 2104-20
12c	Pedestal (150 mm) Weldable Pedestals	SK 2104-02X
12d	Pedestal (170 mm) Weld on/bolt on Pedestals	SK 2104-21X
12e	Pedestal (185 mm) Weldable Pedestals	SK 2104-01X
12f	Pedestal (250 mm) Weld on/bolt on Pedestals	SK 2104-14X
13	Upper rubber cushion	SK 1259
14	Lower rubber cushion	SK 2105-25X
15	Mounting bracket	SK 1372
16	Hex Bolt	SK 60
17	Split pin	SK 1974
18	Spring hook, chain & wedge	SK 1436V
19	Lubrication fitting compl. (steel)	SK 2105-28
20	Grease nipple compl. (steel line & nipple)	SK 1976
21	Adjusting screw	SK 2121-76
22	Spring latch 1996 onwards	SK 3121-52
23	Bolt for spring latch	SK 3521-03
24	Spring for latch	SK 3121-59
1.2.3.10.11	Repair Kits Repair kit for locking device	SK 2121-50
1,2,3	Repair kit for locking device	SK 2121-52
1,2,3,8, 10,11,18	Repair kit for locking device	SK 2121-68
13,14,16	Repair kit for rubber bearing	SK 2121-69 CV
22,23,24	Repair kit for spring latch kit	SK 3121-52 Kit

Type JSK 37 C-Z

with wear ring & external jaw lubrication



Applications: Tanker
 General freight
 Fridge van
 B-double
 Road train

The fifth wheel comes standard with bolt on/weld on feet.

The fifth wheel coupling can be linked to the central lubrication system of the prime mover.

Lock jaw and wear ring can be replaced without difficulty in a few minutes with the fifth wheel still in position.

Shock absorbing large rubber pads.
 Oil and grease resistant.

Mounting must be carried out in accordance with our instructions.

Type	Overall Height mm	Imposed Load On Tractor kg	D-Value kN	Weight Approx. kg	CRN
JSK 37 CZ/150	150	20000	190	144.5	24286
JSK 37 CZ/170	170	20000	190	146.5	
JSK 37 CZ/185	185	20000	190	148.5	
JSK 37 CZ/250	250	20000	190	160.5	
*JSK 37 CZ/300	300	20000	190	176.5	
					AS1773-1996

* Note 300mm non weldable pedestals

The right to alter specifications is reserved.

Jost Australia Pty. Ltd.
 Toll Free Sydney 1800 811 487
 www.jostaustralia.com.au

Sydney
 Brisbane
 Melbourne
 Perth

(02) 9838 8100
 (07) 3272 5777
 (03) 9360 9001
 (08) 9355 4137

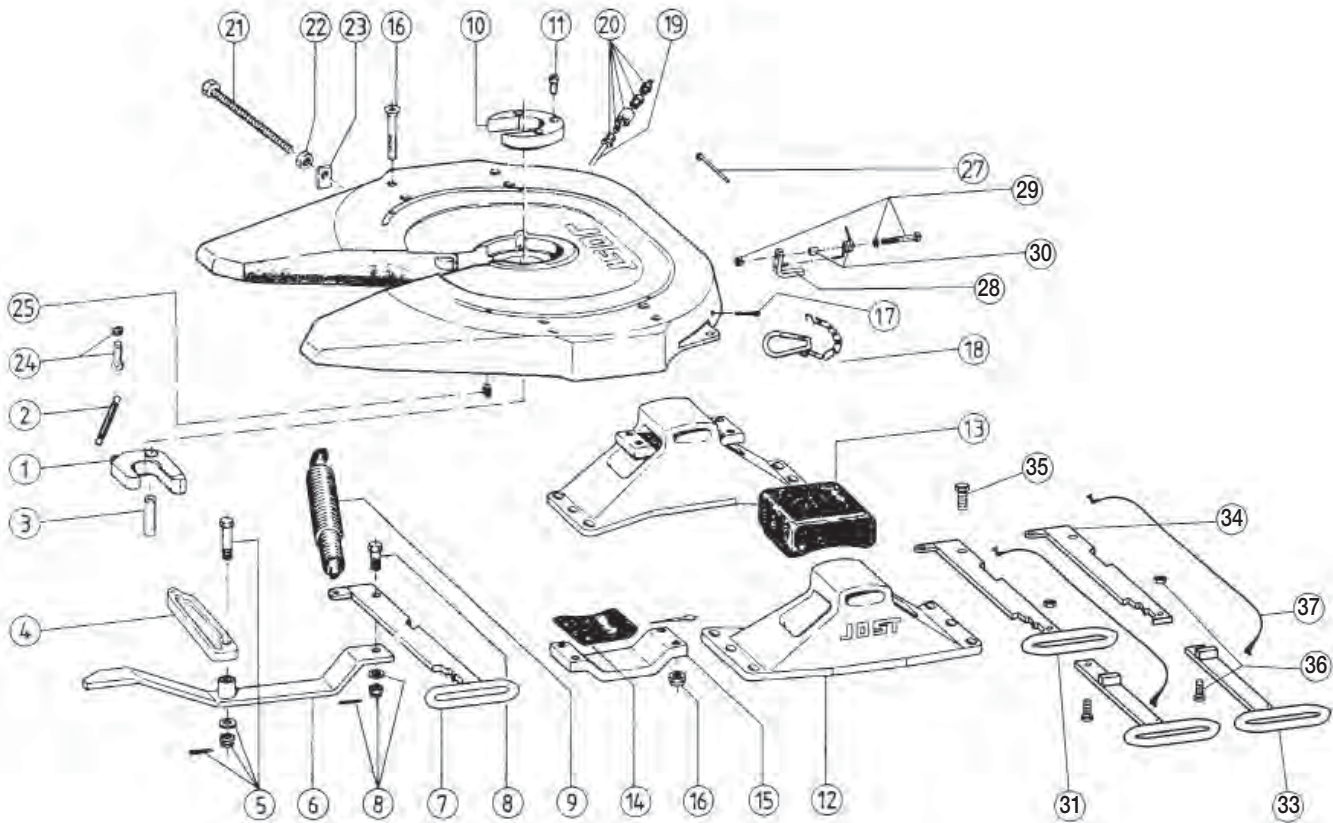
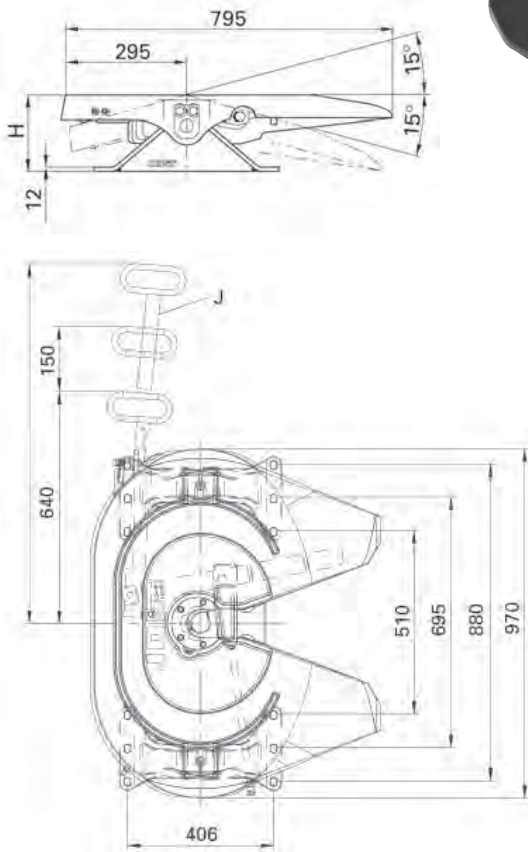


Fig.	Description	Part No.	Fig.	Description	Part No.
1	Lock jaw	SK 1489 Z	17	Split pin	SK 1974
2	Lock jaw spring	SK 847	18	Spring hook Pre 1996	SK 1436
3	Pivot for lock jaw, compl.	SK 2106-67	19	Lubrication fitting - steel	SK 1989
4	Locking bar	SK 3205-06	20	Grease nipple compl	SK 1976
5	Locking bar bolt, compl.	SK 3221-01	21	Adjusting screw	SK 3105-05
6	Lever	SK 3105-18	22	Hexagon nut	SK 2121-78
7	Operating handle	SK 3105-15	23	Guide piece	SK 3205-07
8	Socket head bolt	SK 1513	24	Eye bolt comp.	SK 2122-04
9	Double tension spring	SK 3105-20	25	Grease nipple	SK 3121-11
10	Wearing ring	SK 2105-19	26	Lubrication tubing - nylon	SK 3108-02
11	Head bolt	SK 2121-07	27	Tubing clamp	SK 3121-13
12a	Pedestal (185 mm) Bolt on/Weld on	SK 2104-01X	28	Spring latch 1996 onwards	SK 3121-52
12b	Pedestal (150 mm) Bolt on/Weld on	SK 2104-02X	29	Bolt for spring latch	SK 3521-03
12c	Pedestal (170 mm) Bolt on/Weld on	SK 2104-21X	30	Spring for latch	SK 3121-59
12d	Pedestal (250 mm) Bolt on/Weld on	SK 2104-14X	31	Operating Handle	SK 3105-15
12e	Pedestal (300 mm) Non Weldable	SK 2104-20	33	Handle Extension	SK 3105-113
13	Upper rubber cushion	SK 1259	34	Internal Operating Handle	SK 3105-115
14	Lower rubber cushion	SK 2105-25	35	Head Bolt	SK 1513
15	Mounting bracket	SK 1372	36	Extended Handle Bolt	SK 2421-50
16	Socket head bolt, compl. with nut	SK 2121-15	37	Cable Extension	SK 3521-02

Fig.	Repair Kits	Part No
1,2,3,10,11	Repair kit for locking device	SK 3221-50 Z
1,2,3	Repair kit for locking device	SK 3221-52 Z
1,2,3,8	Repair kit for locking device	SK 3121-50
10,11,18, 13,14,16 28,29,30	Repair kit for rubber bearing	SK 2121-69 Z
	Repair kit for spring latch	SK 3121-52 Kit

JSK 37 E

with wear ring & external jaw lubrication



Applications: Highway Work Tipper Work

Lock jaw and wear ring can be replaced without difficulty in a few minutes with the fifth wheel still in position.

Available with extended operating handle (240mm) on demand.

Mounting must be carried out in accordance with our instructions.

Mounting hole pattern in accordance with DIN standard 74081 and ISO standard 3842. Suitable for all types of rear axle steering systems.

Type	Overall height mm	Imposed Load on tractor kg	D-value kN	Weight approx. kg	Pedestal Style	CRN
JSK37 E130 FX	130	20000	190	121.50	Weld on	36821
JSK37 E150 FX	150	20000	190	123.50	Weld on	
JSK37 E170 FX	170	20000	190	128.50	Weld on	
JSK37 E185 FX	185	20000	190	128.50	Weld on	
JSK37 E195 FX	195	20000	190	130	Weld on	
JSK37 E205 FX	205	20000	190	131.50	Weld on	
JSK37 E215 FX	215	20000	190	132	Weld on	
JSK37 E235 FX	235	20000	190	133.50	Weld on	
JSK37 E255 FX	255	20000	190	136.50	Weld on	

The right to alter specifications is reserved.

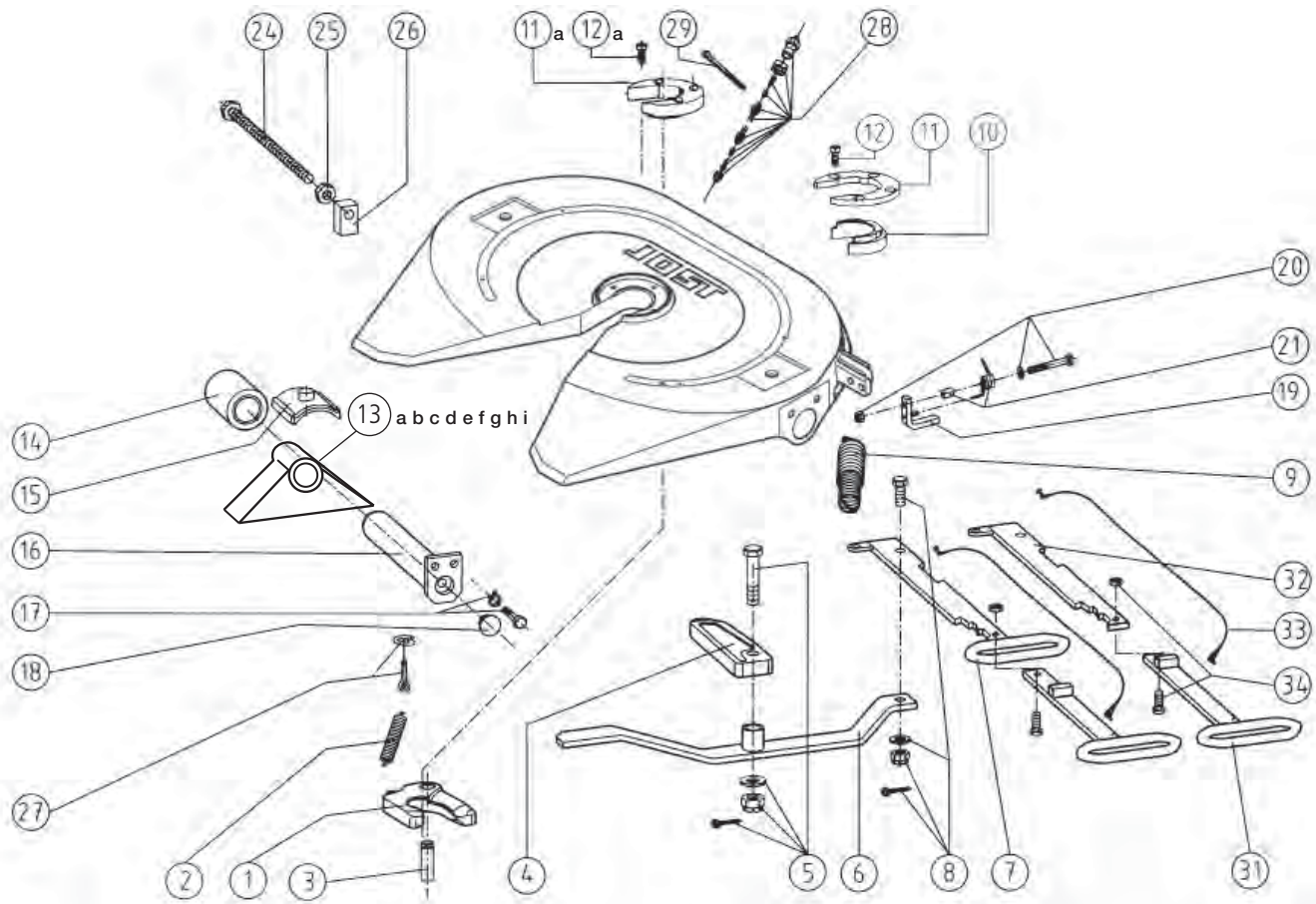
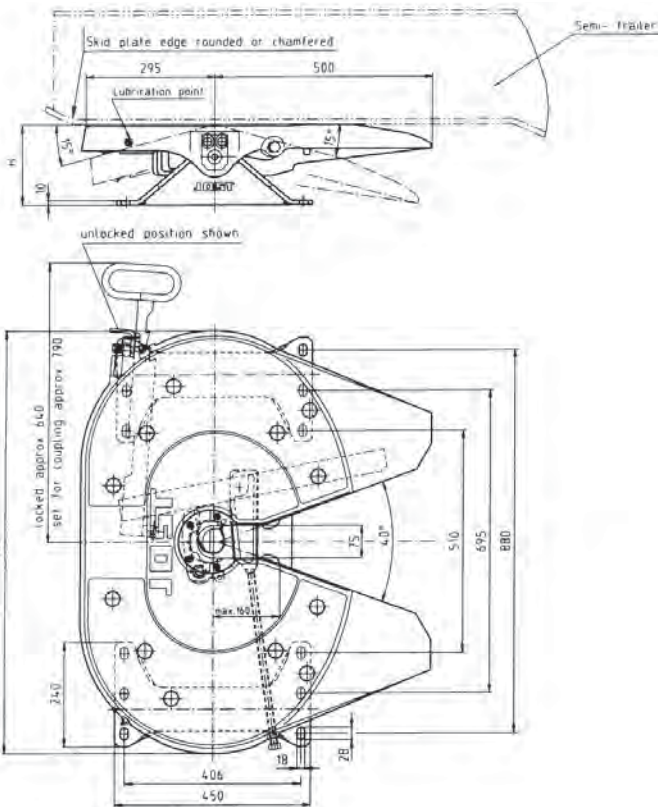


Fig.	Description	Part No.
1	Jaw	SK 1489 Z
2	Jaw Spring	SK 847
3	Jaw Pivot	SK 2106/67
4	Locking Bar	SK 3205/06
5	Lock Bar Bolt	SK 3221/01
6	Release Lever	SK 3105/18
7	Operating Handle	SK 3105/15
8	Head Bolt	SK 1513
9	Double Tension Spring	SK 3105/20
10	Wearing Ring Insert	SK 3105/92
11	Wearing Ring Fixture	SK 3105/93
11a	Wearing Ring Fixture	SK 2105/19
12	Socket Head Bolt	SK 3121/55
12a	Socket Head Bolt	SK 2121/07
13a	Fabricated Pedestals 130	SK 2920-130
13b	Fabricated Pedestals 150	SK 2920-150
13c	Fabricated Pedestals 170	SK 2920-170
13d	Fabricated Pedestals 185	SK 2920-185
13e	Fabricated Pedestals 195	SK 2920-195
13f	Fabricated Pedestals 205	SK 2920-205
13g	Fabricated Pedestals 215	SK 2920-215

Fig.	Description	Part No.
13h	Fabricated Pedestals 235	SK 2920-235
13i	Fabricated Pedestals 255	SK 2920-255
14	Rubber bushing for bolt on feet	SK 2905-95
14a	Poly Bush	SK 2905-20
15	Collar	SK3105-95
16	Swivel Pin	SK 3104/05
17	Swivel Pin Bolt	SK 3121/28
18	Swivel Pin Plug	JS 1101/12
19	Spring Latch 1996 onwards	SK 3121/52
20	Bolt for Spring Latch	SK 3521/03
21	Spring for Latch	SK 3121/59
24	Adjusting Screw	SK 3105/97
25	Hex Nut	SK 2121/78
26	Guide Piece	SK 3205/07
27	Eye Bolt Complete	SK 2122/04
28	Grease Line Complete	SK 3108/02
31	Handle Extension	SK 3105/113
32	Internal Operating Handle	SK 3105/115
33	Cable Extension	SK 3521/02
34	Extended Handle Bolt	SK 2421/50

Fig.	Repair Kits	Part No
1,2,3	Repair kit for locking device	SK 3221-52 Z
14,15,16,17,18	Repair kit for locking device	SK 3121-061
1,2,3,8,10,12,28	Repair kit for locking device	SK 3121-060 Z
10,11,12	Repair kit for wearing ring	SK 3105-94 Kit
22,23,24	Repair kit for spring latch	SK 3121-52 Kit

JSK 37 EW



Applications: Highway work Tipper Work

Low maintenance fifth wheel coupling:

- maintenance free top plate
- maintenance free rubber cushioned pivot bearings
- maintenance free wear ring
- only one remaining grease point the lock jaw (little grease required)

Lock jaw and wear ring can be replaced without difficulty in a few minutes with the fifth wheel still in position.

Available with extended operating handle (240mm) on demand.

Mounting must be carried out in accordance with our instructions.

Mounting hole pattern in accordance with DIN standard 74081 and ISO standard 3842. Suitable for all types of rear axle steering systems.

Type	Overall height mm	Imposed Load on tractor kg	D-value kN	Weight approx. kg	Pedestal Style	CRN
JSK37 E150 FX	150	20000	190	123.50	Weld on	36821
JSK37 E170 FX	170	20000	190	128.50	Weld on	
JSK37 E185 FX	185	20000	190	128.50	Weld on	
JSK37 E195 FX	195	20000	190	130	Weld on	
JSK37 E205 FX	205	20000	190	131.50	Weld on	
JSK37 E215 FX	215	20000	190	132	Weld on	
JSK37 E235 FX	235	20000	190	133.50	Weld on	
JSK37 E255 FX	255	20000	190	136.50	Weld on	

The right to alter specifications is reserved.

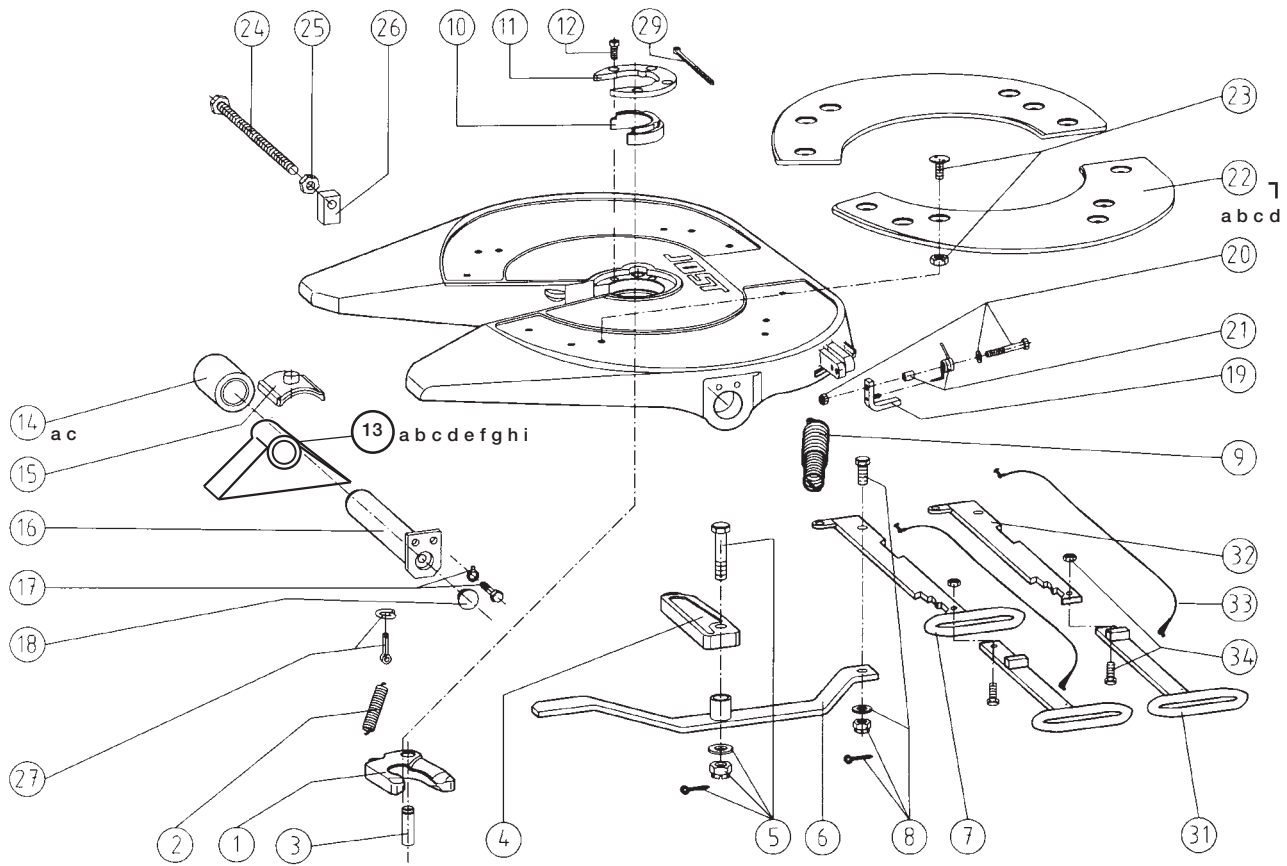


Fig.	Qty	Description	Part No.	Fig.	Qty	Description	Part No.
1		Lock jaw	SK 1489 Z	16		Swivel pin	SK 3104-05
2		Lock jaw spring	SK 847	17		Socket head bolt, compl.	SK 3121-28
3		Pivot for lock jaw, compl.	SK 2106-67	18		Plug	JS 1101-12
4		Locking bar	SK 3205-06	19		Latch	SK 3121-52
5		Locking bar bolt, compl.	SK 3221-01	20		Bolt for spring latch	SK 3521-03
6		Lever	SK 3105-18	21		Spring noose with spacer	SK 3121-59
7		Operating handle (standard)	SK 3105-15	22a		Top plate liner, right hand (4 bolt)	SK 3105-87R10
8		head bolt	SK 1513	22b		Top plate liner, left hand (4 bolt)	SK 3105-87L10
9		Double tension spring	SK 3105-20	22c		Top plate liner, right hand 10mm(6 bolt)	SK 3105/129R
10		Wearing ring insert	SK 3105-92	22d		Top plate liner, left hand 10mm(6 bolt)	SK 3105/129L
11		Wearing ring fixture	SK 3105-93	22e		Top plate liner, right hand (new style)	SK 3105/130L
12	4	Socket head bolt	SK 3121-55	22f		Top plate liner, left hand (new style)	SK 3105/130R
13a		Fabricated Pedestals 130	SK 2920-130	23a		Countersunk bolt, compl.	SK 3121-062
13b		Fabricated Pedestals 150	SK 2920-150	23b		Hexalobular bolt (new style)	SKT 001006000
13c		Fabricated Pedestals 170	SK 2920-170	24		Adjusting screw	SK 3105-97
13d		Fabricated Pedestals 185	SK 2920-185	25		Hexagon nut	SK 2121-78
13e		Fabricated Pedestals 195	SK 2920-195	26		Guide piece	SK 3205-07
13f		Fabricated Pedestals 205	SK 2920-205	27		Eye bolt, compl.	SK 2122-04
13g		Fabricated Pedestals 215	SK 2920-215	28		Lubrication tubing, compl.	SK 3108-02
13h		Fabricated Pedestals 235	SK 2920-235	29		Tubing clamp	SK 3121-13
13i		Fabricated Pedestals 255	SK 2920-255	31		Extended handle, grip	SK 3105-113
14a	2	Rubber bushing for bolt on feet	SK 2905-20	32		Extended handle, lower part	SK 3105-115
14c	2	Rubber bushing for pressed feet	SK 2905-95	33		Latch cord, compl.	SK 3521-02
15		Collar	SK 3105-95	34		Socket head bolt, compl.	SK 2421-50

Fig.	Repair kits	Part No.	Fig.	Repair kits	Part No.
1,2,3	Repair kit for locking device	SK 3221-52Z	22	Steel Inserts 6 bolt RH	SK4001R/8mm
1,2,3,8,10,12,28	Repair kit for locking device	SK 3121-060Z	22	Steel Inserts 8mm (6 bolt)	SK 4000
10,11,12	Repair kit for wearing ring	SK 3104-94	22,23	Repair kit for top plate liner 10mm (4 bolt)	SK 3106-004
14,15,16,17,18	Repair kit for bearing	SK 3121-061	22,23	Repair kit for top plate liner 10mm (6 bolt)	SK 3106-007
19,20,21	Repair kit for spring latch	SK 3121-52 Kit	33,34	Handle extension, compl.	SK 3121-063
22	Steel Inserts 6 bolt LH	SK4001L/8mm			

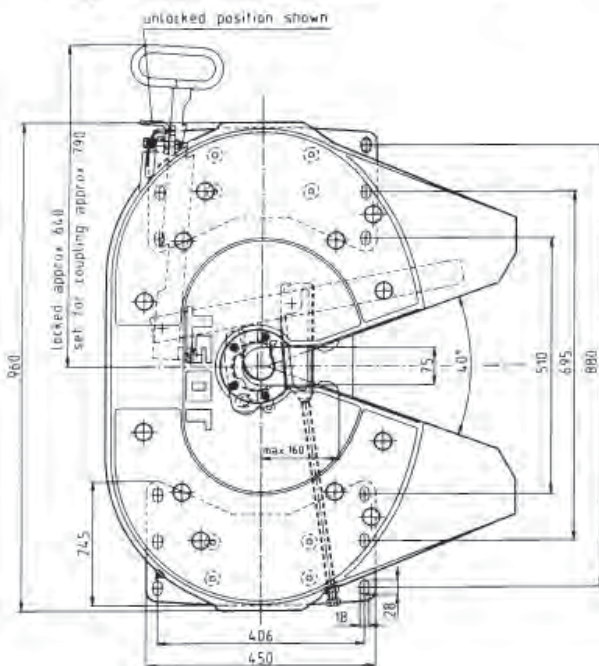
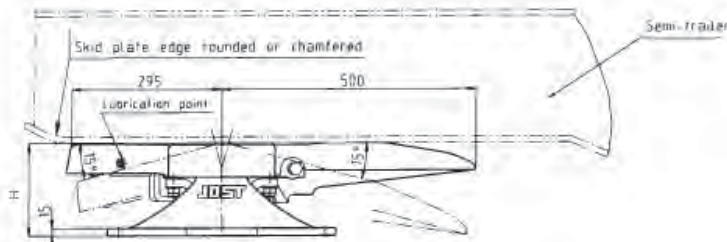
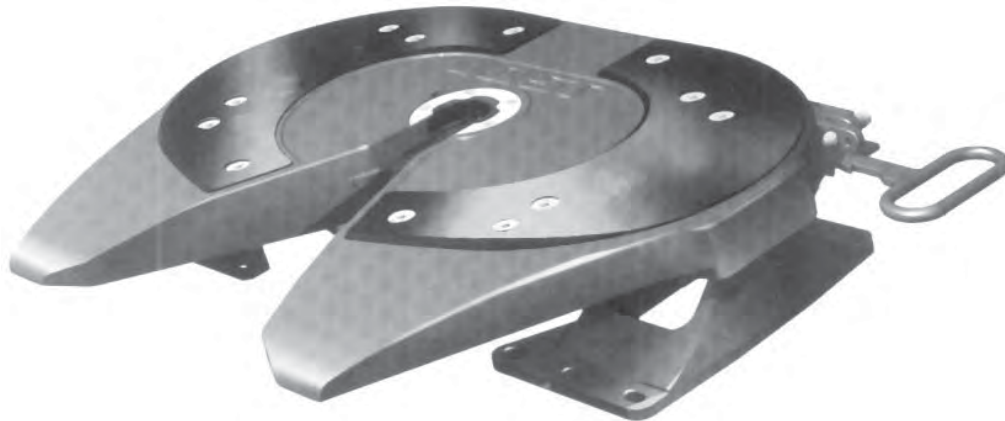
The right to alter specifications is reserved.

8/08

Jost Australia Pty. Ltd.
Toll Free Sydney 1800 811 487
www.jostaustralia.com.au

Sydney (02) 9838 8100
Brisbane (07) 3272 5777
Melbourne (03) 9360 9001
Perth (08) 9355 4137

JSK 37 CZW



Applications: Tanker
General freight
Stock crate
Fridge van
B-double
Road train

The fifth wheel comes standard with non-weldable feet, available with weldable feet upon request.

Low maintenance fifth wheel coupling:

- maintenance free top plate
- maintenance free rubber cushioned pivot bearings
- maintenance free wearing ring
- only one remaining grease point the lock jaw (little grease required)

Lock jaw and wearing ring can be replaced without difficulty in a few minutes with the fifth wheel still in position.

Available with extended operating handle (240mm) on demand.

Mounting must be carried out in accordance with our instructions.

Mounting hole pattern in accordance with DIN standard 74081 and ISO standard 3842.

Type	Overall Height mm	Imposed Load On Tractor kg	D-Value kN	Weight Approx. kg	CRN
JSK 37 C150W	150	20000	190	136	24286
JSK 37 C170W	170	20000	190	139	
JSK 37 C185W	185	20000	190	141	
JSK 37 C250W	250	20000	190	145	
*JSK 37 C300W	300	20000	190	161	

* Note 300mm non weldable pedestals

The right to alter specifications is reserved.

8/08

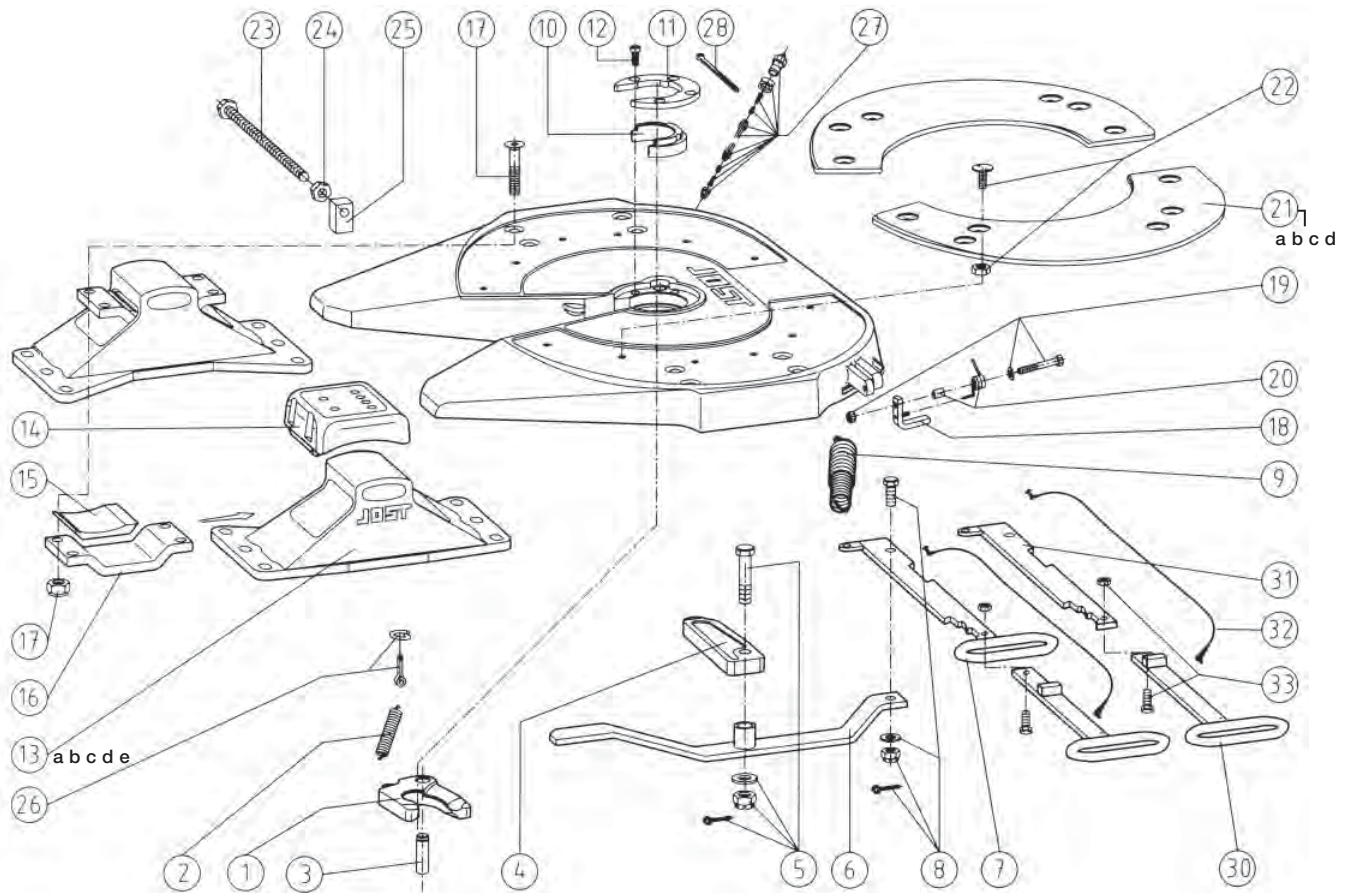


Fig.	Qty	Description	Part No.	Fig.	Qty	Description	Part No.
1		Lock jaw	SK 1489 Z	17	8	Countersunk bolt, compl.	SK 2121-15
2		Lock jaw spring	SK 847	18		Latch	SK 3121-52
3		Pivot for lock jaw, compl.	SK 2106-67	19		Bolt for spring latch	SK 3521-03
4		Locking bar	SK 3205-06	20		Spring nose with spacer	SK 3121-59
5		Locking bar bolt, compl.	SK 3221-01	21a		Top plate liner, right hand (6 bolt)	SK 3105-12910R
6		Lever	SK 3105-18	21b		Top plate liner, left hand (6 bolt)	SK 3105-12910L
7		Operating handle (standard)	SK 3105-15	21c		Top plate liner, right hand (new style)	SK 3105/130L
8		head bolt	SK 1513	21d		Top plate liner, left hand (new style)	SK 3105/130R
9		Double tension spring	SK 3105-20	22a		Countersunk bolt, compl.	SK 3121-062
10		Wear ring insert	SK 3105-92	22b	12	Hexalobular bolt (new style bolt only)	SKT 001006000
11		Wear ring	SK 3105-93	23		Adjusting screw	SK 3105-97
12	4	Socket head bolt	SK 3121-55	24		Hexagon nut	SK 2121-78
13a		Pedestal (150mm) bolt on	SK 2104-02X	25		Guide piece	SK 3205-07
13b		Pedestal (170mm) bolt on/weldable	SK 2104-21X	26		Eye bolt, compl.	SK 2122-04
13c		Pedestal (185mm) bolt on	SK 2104-01X	27		Lubrication tubing, compl.	SK 3108-02
13d		Pedestal (250mm) bolt on/weldable	SK 2104-14X	28		Tubing clamp	SK 3121-13
13e		Pedestal (300mm) bolt on	SK 2104-20	30		Extended handle, grip	SK 3105-113
14	2	Upper rubber cushion	SK 1259	31		Extended handle, lower part	SK 3105-115
15	2	Lower rubber cushion	SK 2105-25	32		Latch cord, compl.	SK 3521-02
16	2	Mounting bracket	SK 1372	33		Socket head bolt, compl.	SK 2421-50

Fig.	Repair kits	Part No.	Fig.	Adapting kit	Part No.
1,2,3	Repair kit for locking device	SK 3221-52Z	21,22	Repair kit for top plate liner (6 bolt)	SK 3106-007
10,11,12	Repair kit for wearing ring	SK 3105-94	22	Steel Inserts Kit 8mm (6 bolt)	SK 4000
14,15,17	Repair kit for bearing	SK 2121-69Z	22	Steel Inserts 6 bolt LH	SK4001L/8mm
18,19,20	Repair kit for spring latch	SK 3121-52 Kit	22	Steel Inserts 6 bolt RH	SK4001R/8mm
19,20,21	Repair kit for spring latch	SK 3121-59	30,32,33	Handle extension, compl.	SK 3121-063
21,22	Repair kit for top plate liner (4 bolt)	SK 3106-004	18,19,20	Repair kit for spring latch	SK 3121-52 Kit

The right to alter specifications is reserved

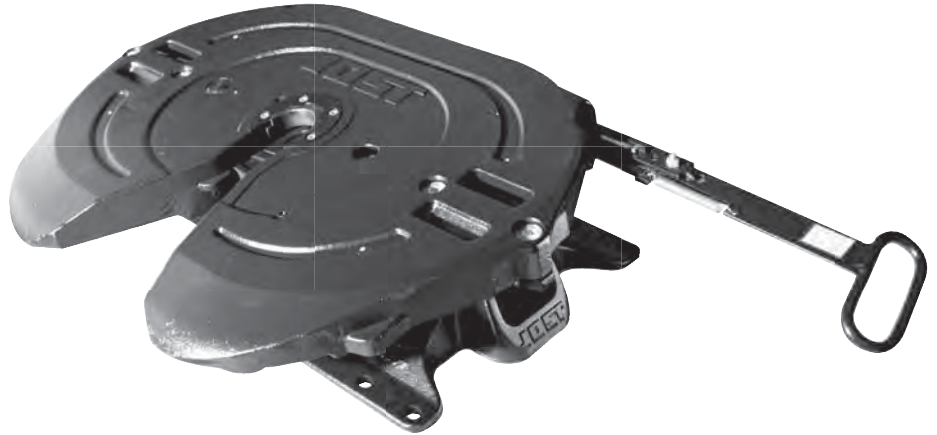
8/08

Jost Australia Pty. Ltd.
Toll Free Sydney 1800 811 487
www.jostaustralia.com.au

Sydney (02) 9838 8100
Brisbane (07) 3272 5777
Melbourne (03) 9360 9001
Perth (08) 9355 4137

Technical Specification

The fifth wheel coupling complies with the following directives / standards: 94/20/EC - Class G50, DIN 74081, ISO 3842. Suitable for mounting 2" king pins (50) as per 94/20/EC, DIN 74085, ISO 337 and steering wedges as per 94/20/EC, DIN 74085.



Technical Data

D value (kN)	Imposed load U (t)	CRN
200	20	36130

Selection Table

Order No.	H (mm)	Standard or Greaseless
JSK 42 WJ-150	150	G
JSK 42 WJ-185	185	G
JSK 42 WJ-225	225	G
JSK 42 WJ-250	250	G
JSK 42 ZJ-150	150	S
JSK 42 ZJ-185	185	S
JSK 42 ZJ-225	225	S
JSK 42 ZJ-250	250	S

Sensor Version

Order No.	H (mm)	Standard or Greaseless	Sensors
JSK 42 WJS-150	150	G	3
JSK 42 WJS-185	185	G	3
JSK 42 WJS-225	225	G	3
JSK 42 WJS-250	250	G	3
JSK 42 ZJS-150	150	S	3
JSK 42 ZJS-185	185	S	3
JSK 42 ZJS-225	225	S	3
JSK 42 ZJS-250	250	S	3

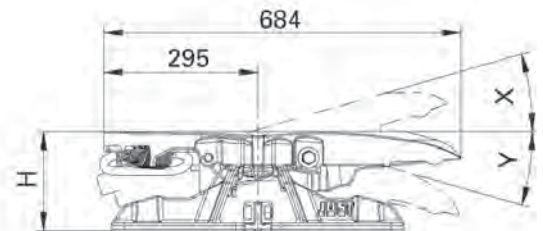
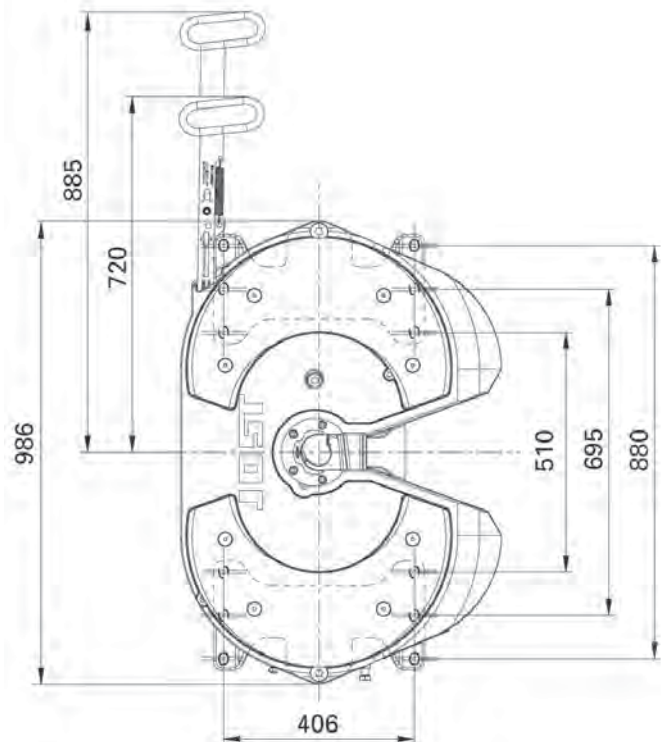
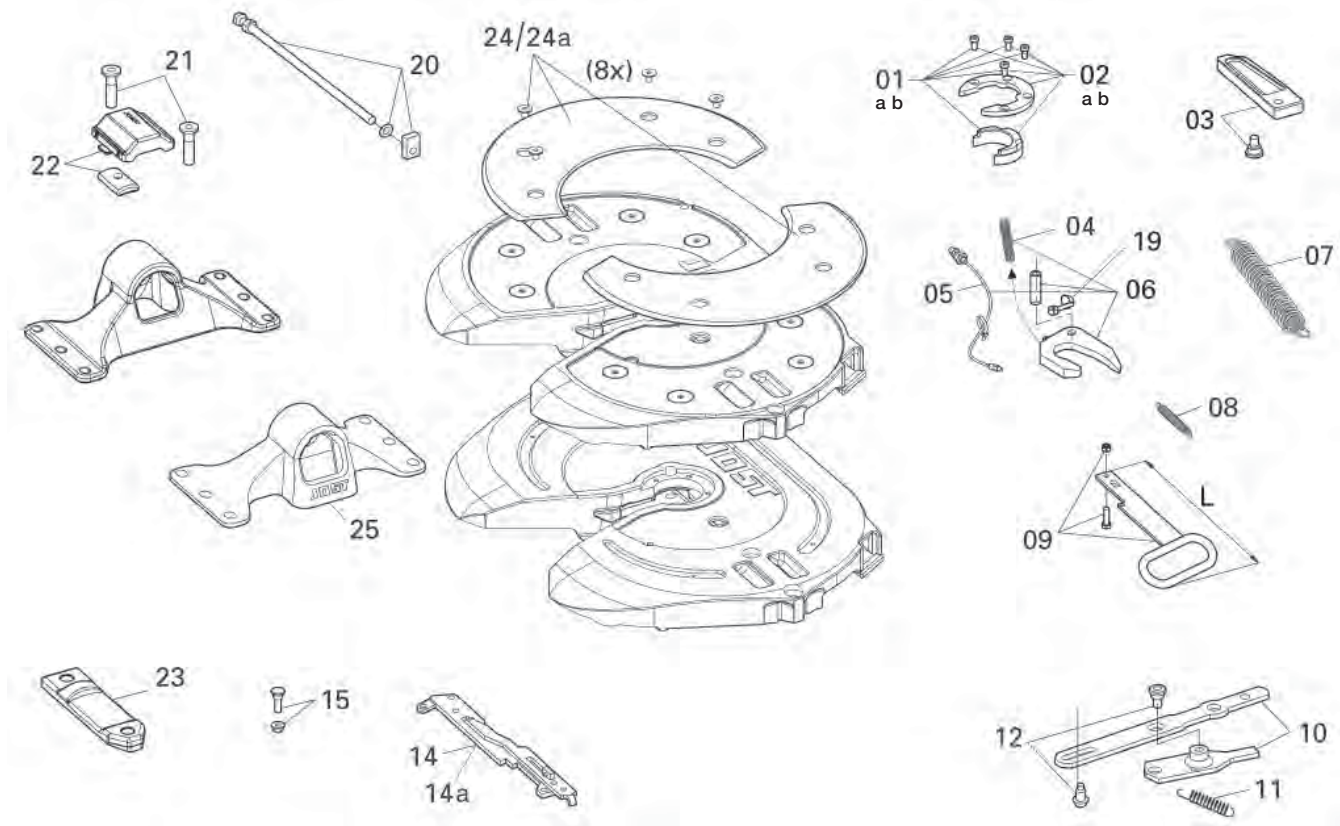


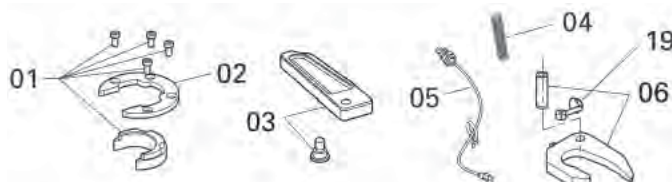
Plate mounting





Item	Designation	Order No.	Quantity per JSK
01a	Wearing part with mounting bolt kit	SKE 001740020	1
01b	Wear ring insert	SK 3105-92	1
02a	Mounting ring kit	SK 3105-94	1
02b	Wear ring	SK 3105-93	1
03	Locking bar with mounting bolt	SKE 001009720	1
04	Tension spring	SK 847	1
05	Lubrication tube, compl. with cable tie	SK 3108-02	1
06	Lock jaw	SK 3221-52 Z	1
07	Double tension spring	SK 3105-20	1
08	Locking spring	SKE 001440000	1
09	Short handle, c/w 08	SKE 001390020	1
	Long handle, c/w 08	SKE 001390120	1
10	Lever kit	SKE 001380020	1

Item	Designation	Order No.	Quantity per JSK
11	Lever spring	SKE 001009800	1
12	Lever bolts	SKE 001750020	1
14	Lever, compl.	SKE 001620020	1
14a	Sensor locking bar lever kit	SKE 001360300	1
15	Lever bolt	SKE 001650020	1
19	Eye bolt, compl.	SK 2122-04	1
20	Adjusting screw with guide	SKE 500740220	1
21	Bolt	SKE 001011400	4
22	Collar, compl.	SKE 001370020	2
23	Bridge	SKE 001530220	2
24	Skid plate with bolts, compl.	SKE 001007020	1
24a	10mm Skid plate with bolts	SKE 1007020-10	1
25	Pedestal H 150	SKE 001005620	2
	Pedestal H 185	SKE 001005720	2
	Pedestal H 225	SKE 001005820	2
	Pedestal H 250	SKE 001005920	2



Item	Designation	Order No.
01, 02, 03, 04, 05, 06, 19	Lock, compl.	SKE 001640020
24a	Steel Inserts	SK 6000

A = sensor for connection status
 B = sensor for king pin
 C = sensor for coupling height

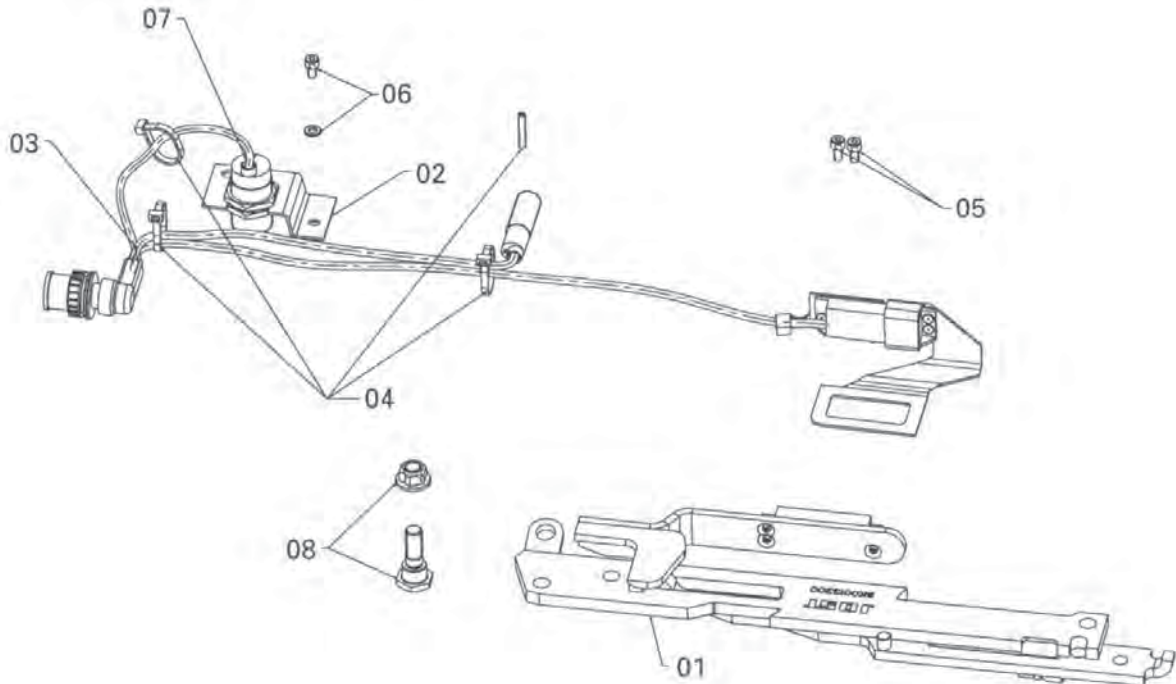
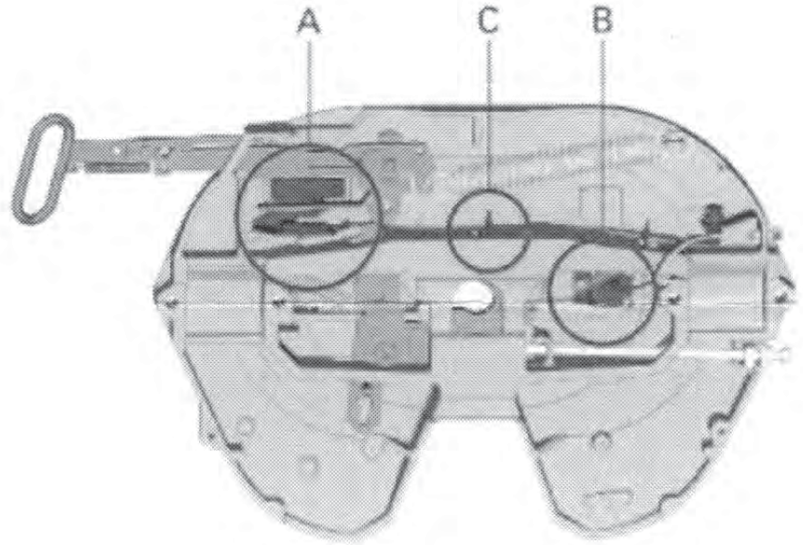
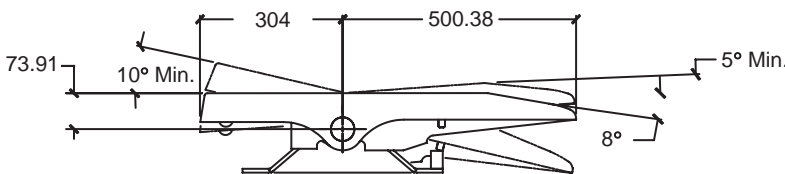
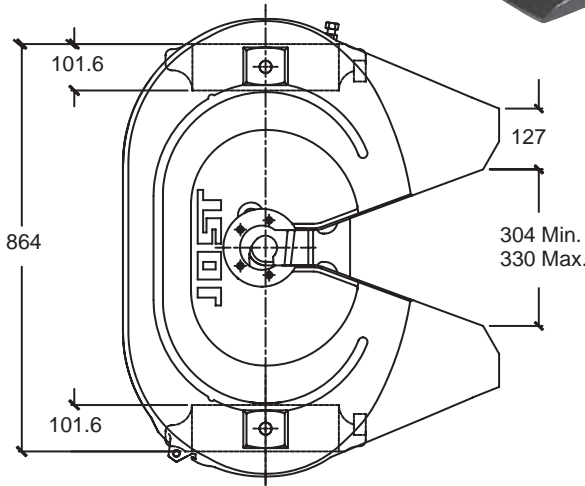


Fig.	Description	Remark	Part No.	Quantity
01	Sensor locking bar kit, with magnet	with 08	SKE 001360300	1
02	Trailer sensor retaining plate with load elements	with 06	SKE 003220100	1
03	3-sensor cable harness with mounted plate JSK 42	with 04, 05, 06, 07	SKE 002040100	1
03	2-sensor cable harness with mounted plate JSK 42	with 04, 05	SKE 002040300	1
	Sensor display with 2 sensors - 24V	oZ	SKE 501620100	1
	Sensor display with 3 sensors - 24V	oZ	SKE 501620200	1
	Sensor display with 2 sensors - 12V	oZ	SKE 501620300	1
	Sensor display with 2 sensors - 24V, SCANIA France	oZ, 2m cable	SKE 501620400	1
	Sensor display with 3 sensors - 12V	oZ	SKE 501620500	1
	Extension cable, standard quality	oZ	SKE 002110100	1
	Extension cable, ADR quality	oZ	SKE 002110200	1

JSK 37 027



**Applications: Roll back application
Tipper Work**

Low maintenance fifth wheel coupling:

- maintenance free top plate
- maintenance free rubber cushioned pivot bearings
- maintenance free wear ring
- only one remaining grease point the lock jaw (little grease required)

Lock jaw and wear ring can be replaced without difficulty in a few minutes with the fifth wheel still in position.

Mounting must be carried out in accordance with our instructions.

Pneumatic operation

Also available in low profile ball race assembly

Type	Overall height mm	Imposed Load on tractor kg	D-value kN	Weight approx. kg	Pedestal Style	CRN
JSK37 027 150 FX	150	20000	200	123.50	Weld on	38553
JSK37 027 170 FX	170	20000	200	128.50	Weld on	
JSK37 027 185 FX	185	20000	200	128.50	Weld on	
JSK37 027 195 FX	195	20000	200	130	Weld on	
JSK37 027 205 FX	205	20000	200	131.50	Weld on	
JSK37 027 215 FX	215	20000	200	132	Weld on	
JSK37 027 235 FX	235	20000	200	133.50	Weld on	
JSK37 027 255 FX	255	20000	200	136.50	Weld on	

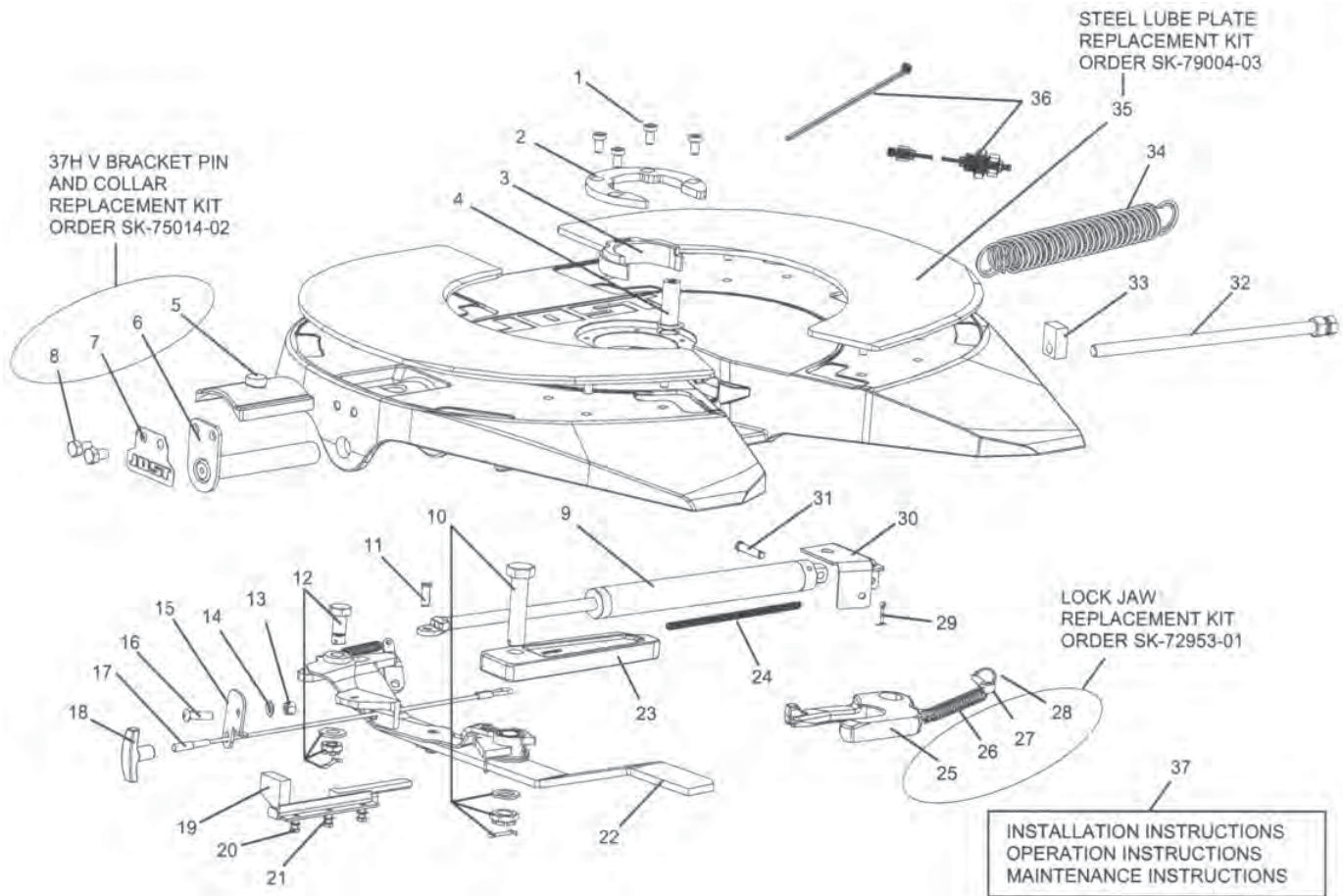
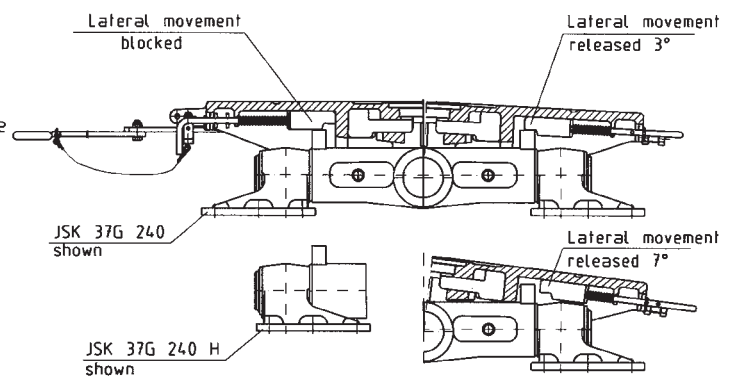
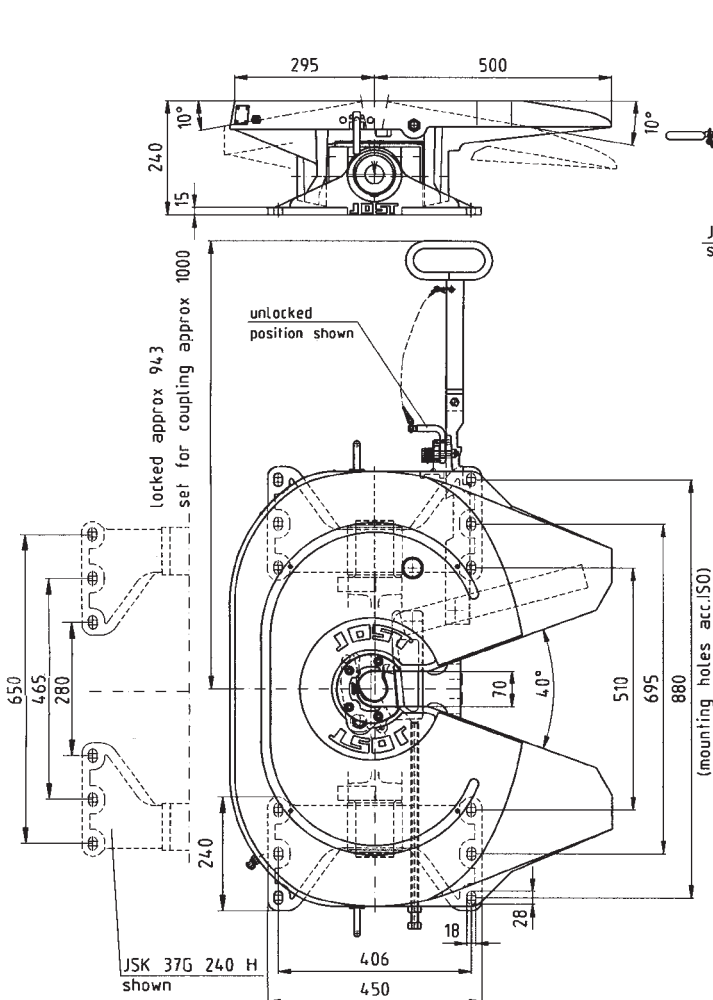


Fig.	Description	Part No.
1	Cushion ring bolt	SK-73121-55
2	Cushion ring plate	SK-3105-93
3	Cushion ring insert	SK-3105-92
4	Pivot pin for lock jaw	SK-72106-67
5	Collar	SK-73105-95
6	Bracket pin	SK-73104-05
7	Tab washer	SK-73104-47
8	1/2-13 x 3/4 hex bolt	SK-70202-15
9	Air cylinder	SK-79020-13
10	Locking bar bolt assembly	SK-73221-01
11	3/8" dia. x 3/4" lg slic pin	SK-70105-01
12	Pivot bolt assembly	SK-71513
13	3/8-16 locknut	SK-70401-02
14	3/8" SAE flat washer	SK-70302-01
15	Handle guide	SK-79016-32
16	3/8-16 x 1-1.4" button screw	SK-70206-02
17	Pull cable assembly	SK-79016-46
18	T-handle air release	SK-71012-00
19	Lock/unlock plate weldment	SK-79016-22
20	1/4-20 x 3/4" hex head cap screw	SK-70202-28

Fig.	Description	Part No.
21	1/4" split lock washer	SK-70303-05
22	Release arm assembly	SK-79016-37
23	Locking bar	SK-3205-06
24	Cable spring	SK-71005-04
25	Lock jaw	SK-1489LZ
26	Lock jaw spring	SK-847
27	Eyebolt	SK-2106-69
28	Ring	SK-2106-70
29	1/8" dia x 1" lg cotter pin	SK-70101-03
30	Cylinder mount bracket	SK-79020-08
31	3/8" dia x 1-3/8" clevis pin	SK-70102-01
32	Adjustment screw with hex nut	SK-79010-05
33	Guide piece	SK-73205-07
34	Double tension spring	SK-3105-20
35	Narrow topplate lube plate	SK-79005-05
35a	Steel inserts	SK-5000 L&R
36	Lubricating kit	SK-3108-02
37	Info pack	SK-75020-16
38	Nut and bolt	SK-3121-027
39	Pneumatic air release system	JOST RK 001

Fig.	Repair Kits	Part No
1-36	Repair kit for complete topplate	SK-75013-15
1-4,25-28,36,37	Repair kit for cushion and lock jaw	SK-73221-50Z
35a	Steel insert kit	SK-5000
35b	Greaseless insert kit	SK-3106-027

JSK 37 G-240



Heavy duty off road
Applications: Low Loaders
Step Deck Trailers

A fifth wheel coupling for operation under arduous conditions.

The well known JOST locking device together with the maintenance free cardan mounting ensures a high degree of stability and safety on the road and off road.

The lateral movement of 7° is designed to compensate for the roll between the truck and semi-trailer during off-road use. On the road, and especially at higher speeds, it must be locked at 3° or blocked for safety reasons.

Lock jaw and wear ring can be replaced without difficulty in a few minutes with the fifth wheel still in position.

Mounting must be carried out in accordance with our instructions.

Complies with DIN 74081 and ISO 3842. Suitable for all types of rear axle steering systems.

Type	Overall height mm	Imposed Load on prime mover kg	D-value kN	Weight approx. kg	CRN
JSK 37G 240	240	25000	162	236	24500

The right to alter specifications is reserved.

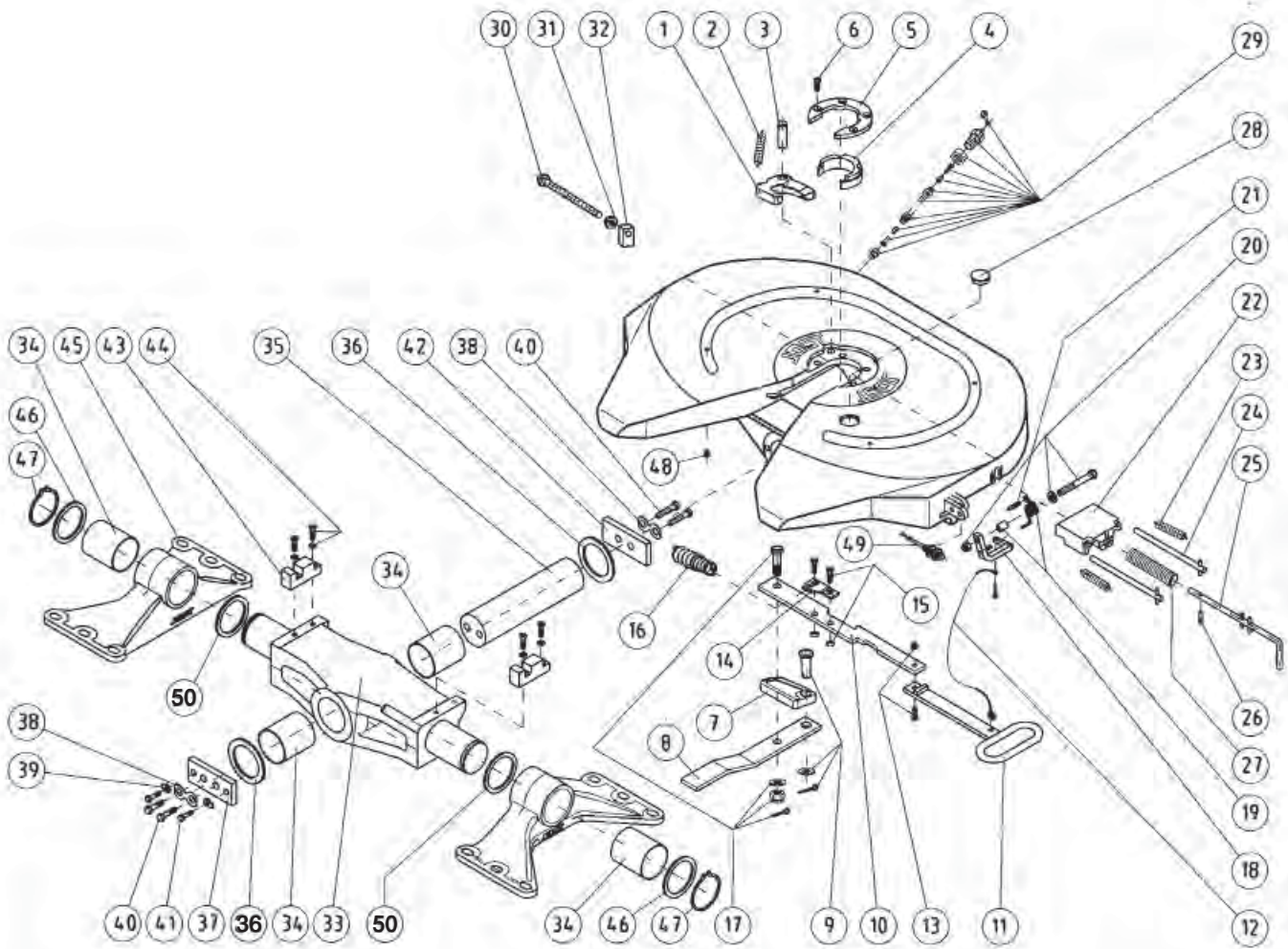


Fig.	Description	Part No.	Fig.	Description	Part No.
1	Lock jaw	SK 1489 Z	31	Hexagon nut	SK 2121-78
2	Lock jaw spring	SK 847	32	Guide piece	SK 3205-07
3	Bolt	SK 2405-18	33	Rocking arm	SK 3304-002
4	Wear ring insert	SK 3105-92	34	Bushing	SK 3304-010
5	Retainer for wearing ring	SK 3105-93	35	Pivot	SK 3304-003
6	Socket head bolt	SK 3121-55	36	Distance ring	SK 3304-009
7	Locking bar	SK 3305-001	37	Bracket	SK 3304-004
8	Lever	SK 3305-008	38	Safety bracket	SK 3304-006
9	Bolt compl.	SK 3353-005	39	Safety bracket	SK 2521-20
10	Securing lever	SK 3305-003	40	Hexagon bolt	000.001.114
11	Operating handle	SK 3105-113	41	Hexagon bolt	000.001.127
12	Wire cable compl.	SK 3521-02	42	Bracket	SK 3304-005
13	Head bolt compl.	SK 2421-50	43	Stop block	SK 3306-004
14	Retainer	SK 3305-004	44	Socket head bolt compl.	SK 3353-009
15	Socket head bolt compl.	SK 3353-006	45	Pedestal	SK 3304-001
16	Double tension spring	SK 3305-007	46	Distance ring	SK 3304-008
17	Socket head bolt compl.	SK 1513	47	Snap ring	000.006.057
18	Latch	SK 3521-01	48	Plug	000.010.021
19	Spring with spacer	SK 3521-09	49	Sensor	000.018.002
20	Hexagon bolt compl.	SK 3521-03	50	Distance Ring	SK 3304-007
21	Clamping sleeve	SK 2121-01	REPAIR KITS		
22	Clamp	SK 3306-001	34,38	Repair kit for cardan bearing	SK 3353-010
23	Tension spring	000.009.014	39,40,		
24	Guide rod with fig. 26	SK 3353-007	41,47,	Repair kit for locking device	SK 3353-011
25	Adjusting handle compl.	SK 3306-003	1,2,3,		
26	Clamping sleeve	000.003.024	4,6,		
27	Spring	000.009.015	17,18,		
28	Plug	000.010.017			
29	Tubing compl.	SK 3353-008			
30	Adjusting screw	SK 2905-52			

The right to alter specifications is reserved.

8/08

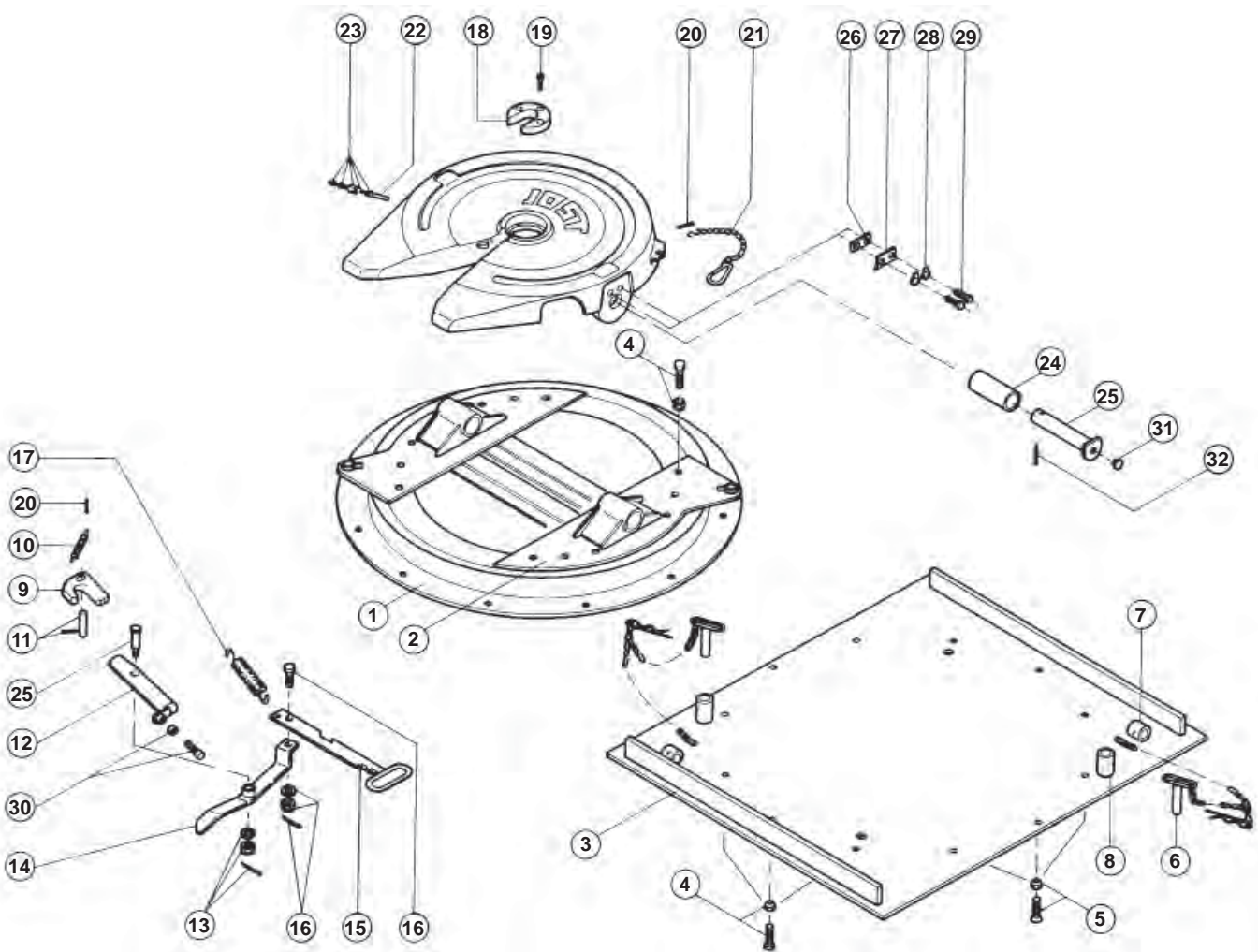
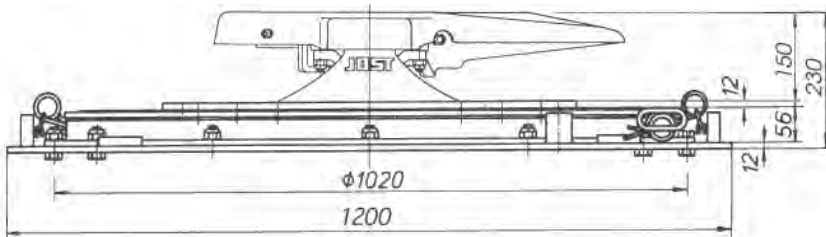


Fig.	Description	Part No LP 36 AV2
1	Ball bearing	KDL 900-6
2	Half Moon c/w 130mm Ped.	SK 3704-02
3a	Base plate (12mm) incl.6,7,8	SK 3706-12
3b	Base plate (16mm) incl.6,7,8	SK 3706-16
3c	Base plate (20mm) incl.6,7,8	SK 3706-20
4	Hex. bolt compl.	SK 3721-04
5	Countersunk bolt compl.	SK 3721-05
6	lock out pin compl.	SK 3706-10
7	Tube park	SK 3706-04
8	Tube lock out	SK 3706-05
9	Lock jaw	SK 2105-15
10	Lock jaw spring	SK 847
11	Pivot compl.	SK 2121-13
12	Locking bar (manual)	SK 2106-31
13	Pivot compl.	SK 2122-25
14	Release lever	SK 2105-01
15	Operating handle	SK 2105-07

Fig.	Description	Part No LP 36 AV2
16	Head bolt	SK 1513
17	Double tension spring	SK 2105-11
18	Wearing ring	SK 2105-19
19	Socket head bolt	SK 2121-07
20	Split pin	SK 1790
21	Spring hook	SK 1436
22	Grease tube	SK 2105-28
23	Grease nipple compl	SK 1976
24	Rubber bushing (Fabricated feet)	SK 2905-20
25	Swivel pin with Fig. 43	SK 2106-18
26	Stop	SK 2106-24
27	Stop for swivel pin	SK 2106-23
28	Washer with tap	SK 2521-20
29	Hexagon Screw	SK 2521-17
30	Adjusting screw	SK 2121-76
31	Plug	SK 2122-08
32	Split pin	SK 2921-04

Item	Repair Kit	Part No
9, 10, 11, 18, 19	for locking device	SK 2121-50
9, 10, 11	for locking device	SK 2121-52

Type: LP 36 CV cast top



Application: Fridge van
General freight
Tankers

also available with:

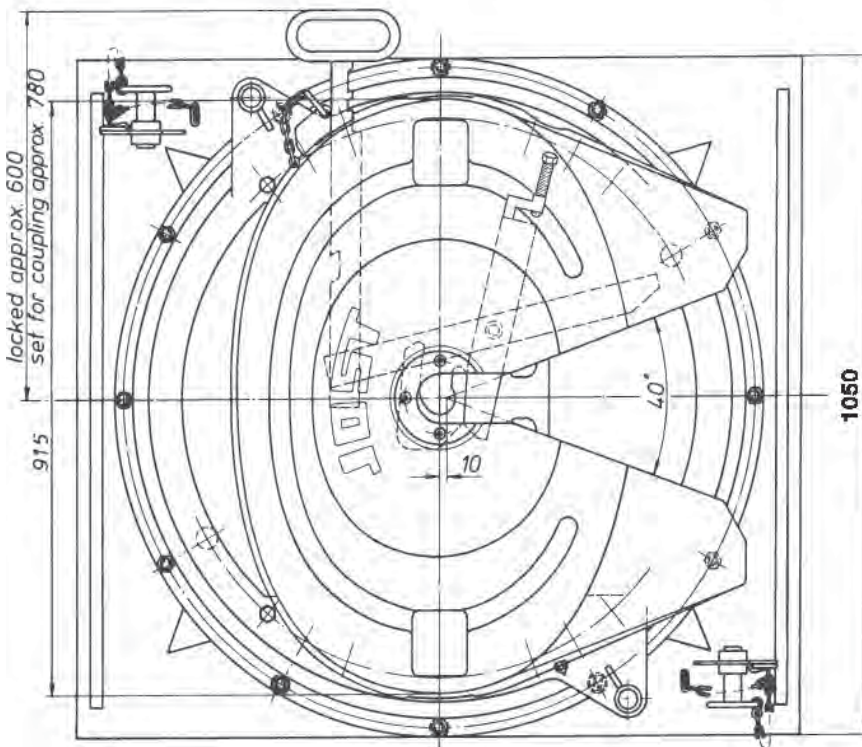
16mm Base Plate LP 36 CV 16mm

20mm Base Plate LP 36 CV 20mm

Narrow chassis width available
ie European spec

*Note thicker base plate determines
extra weight and height.

D-Value	190kN
Overall height	230 mm
Imposed load	20000 kgs
Gross comb. weight	135000 kgs
Weight approx. (for 12mm base plate)	379 kgs
CRN	24835



Twin lockouts.
Flush bolt heads on mounting plate
in chassis mounting zone.
Wear ring easily removed from
above on JSK 36 CV fifth wheel.
Mounting must be carried out in
accordance with our instructions.

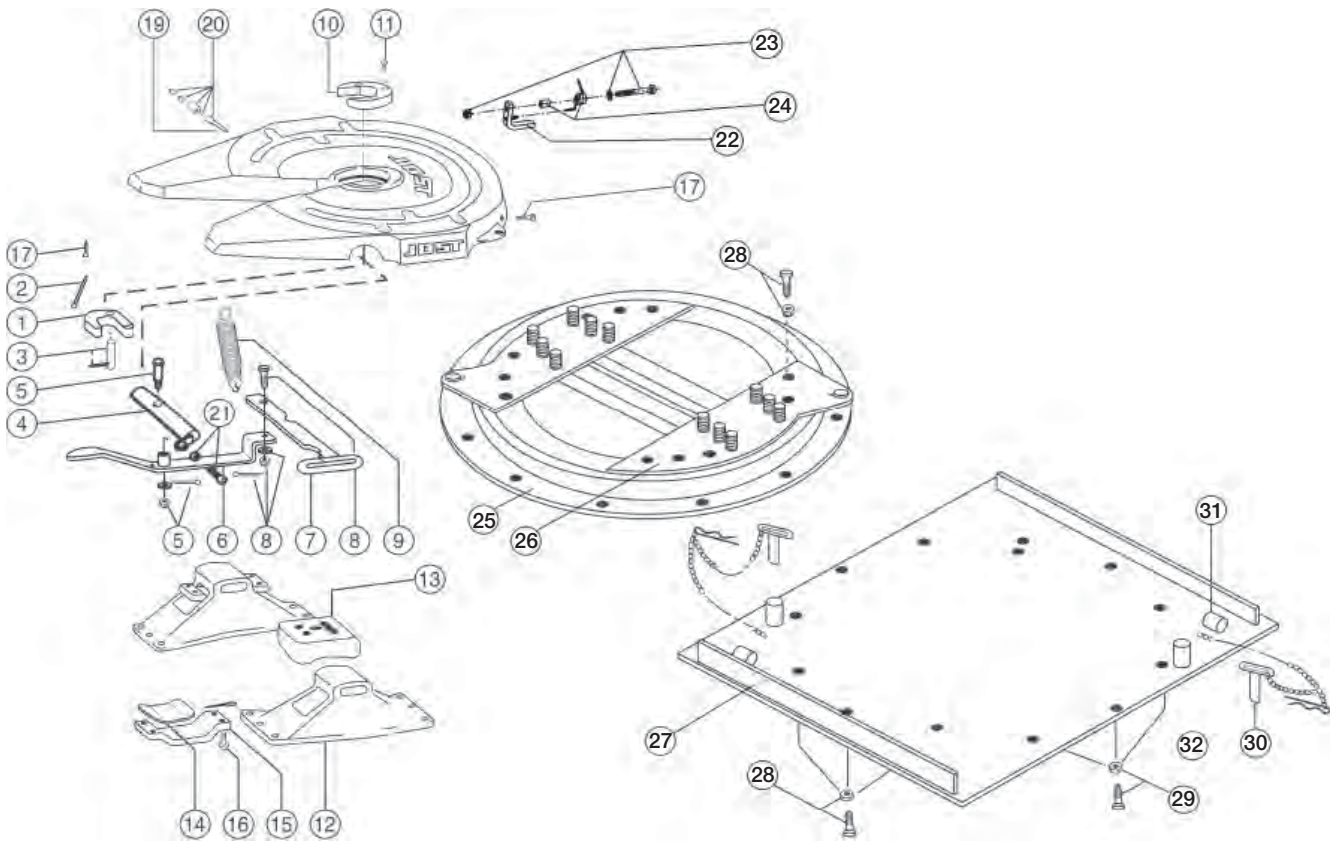
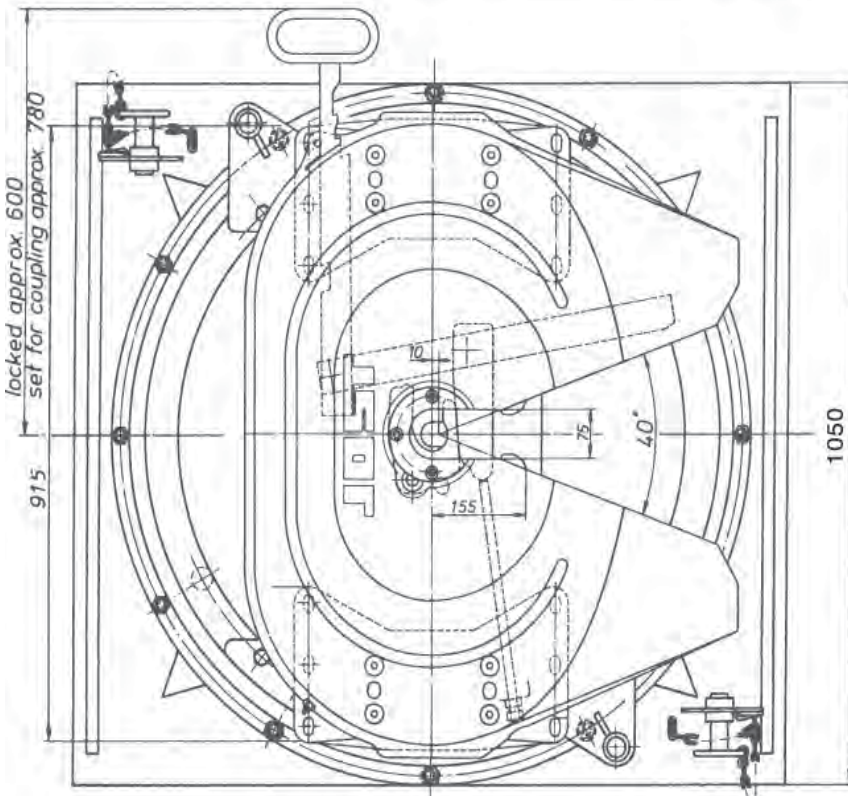
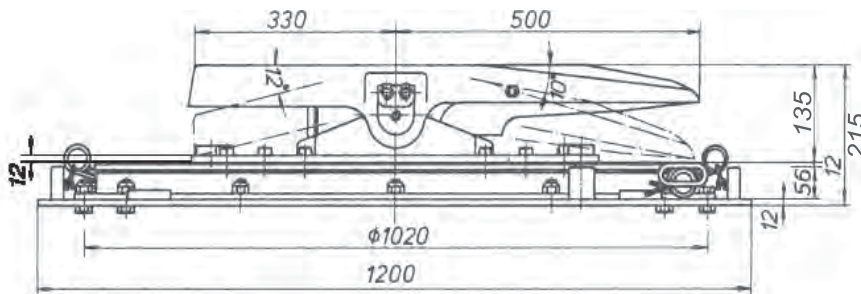


Fig.	Description	Part No
1	Lock jaw	SK 2105-15
2	Lock jaw spring	SK 847
3	Pivot for lock jaw	SK 2121-13
4	Locking bar (manual)	SK 2106-31
5	Locking bar bolt	SK 2122-25
6	Lever	SK 2105-01
7	Operating handle	SK 2105-07
8	Head bolt	SK 1513
9	Double tension spring	SK 2105-11
10	Wearing ring	SK 2105-19
11	Socket head bolt	SK 2121-07
12	Pedestal (185mm)	SK 2104-01X
	Pedestal (170mm)	SK 2104-21X
	Pedestal (150mm)	SK 2104-02X
13	Upper rubber cushion	SK 1259
14	Lower rubber cushion	SK 2105-25
15	Mounting bracket	SK 1372
16	Hex bolt	SK 60
17	Split pin	SK 1974
19	Lubrication fitting compl.	SK 2105-28
20	Grease nipple compl.	SK 1976
21	Adjusting Screw	SK 2121-76
22	Spring latch 1996 onwards	SK 3121-52
1,2,3,10,11	Repair Kits Repair kit for locking device	SK 2121-50
1,2,3	Repair kit for locking device	SK 2121-52
1,2,3,8	Repair kit for locking device	SK 2121-68
10,11,13	Repair kit for rubber bearing	SK 2121-69
14,16	Repair kit for rubber bearing	SK 2121-69
22,23,24	Repair kit for spring latch	SK 3121-52 Kit

Fig.	Description	Part No. LP 36 CV
23	Bolt for spring latch	SK 3521-03
23a	Latch compl.	SK 1436 V
24	Spring for latch	SK 3121-59
25	Ball bearing	KDL 900-6
26	Pedestals half moon compl.	SK 3706-29
27a	Base plate (12mm) incl.36,37,38	SK 3706-12
27b	Base plate (16mm) incl.36,37,38	SK 3706-16
27c	Base plate (20mm) incl.36,37,38	SK 3706-20
28	Hex. bolt compl.	SK 3721-04
29	Countersunk bolt compl.	SK 3721-05
30	lock out pin compl.	SK 3706-10
31	Tube park	SK 3706-04
32	Tube lock out	SK 3706-05

Type: LP 37 E cast top



Application: Highway work
Tipper work

also available with:

16mm Base Plate LP 37 E 16mm

20mm Base Plate LP 37 E 20mm

*Note thicker base plate determines extra weight

**Note only available on weld on feet

D-Value	190kN
Overall height	215 mm
Imposed load	20000 kgs
Gross comb. weight	115000 kgs
Weight approx. (for 12mm base plate)	356 kgs
CRN	24833

Twin lockouts.
Flush bolt heads on mounting plate in chassis mounting zone.
Wear ring easily removed from above on JSK 37 E fifth wheel.
Mounting must be carried out in accordance with our instructions.

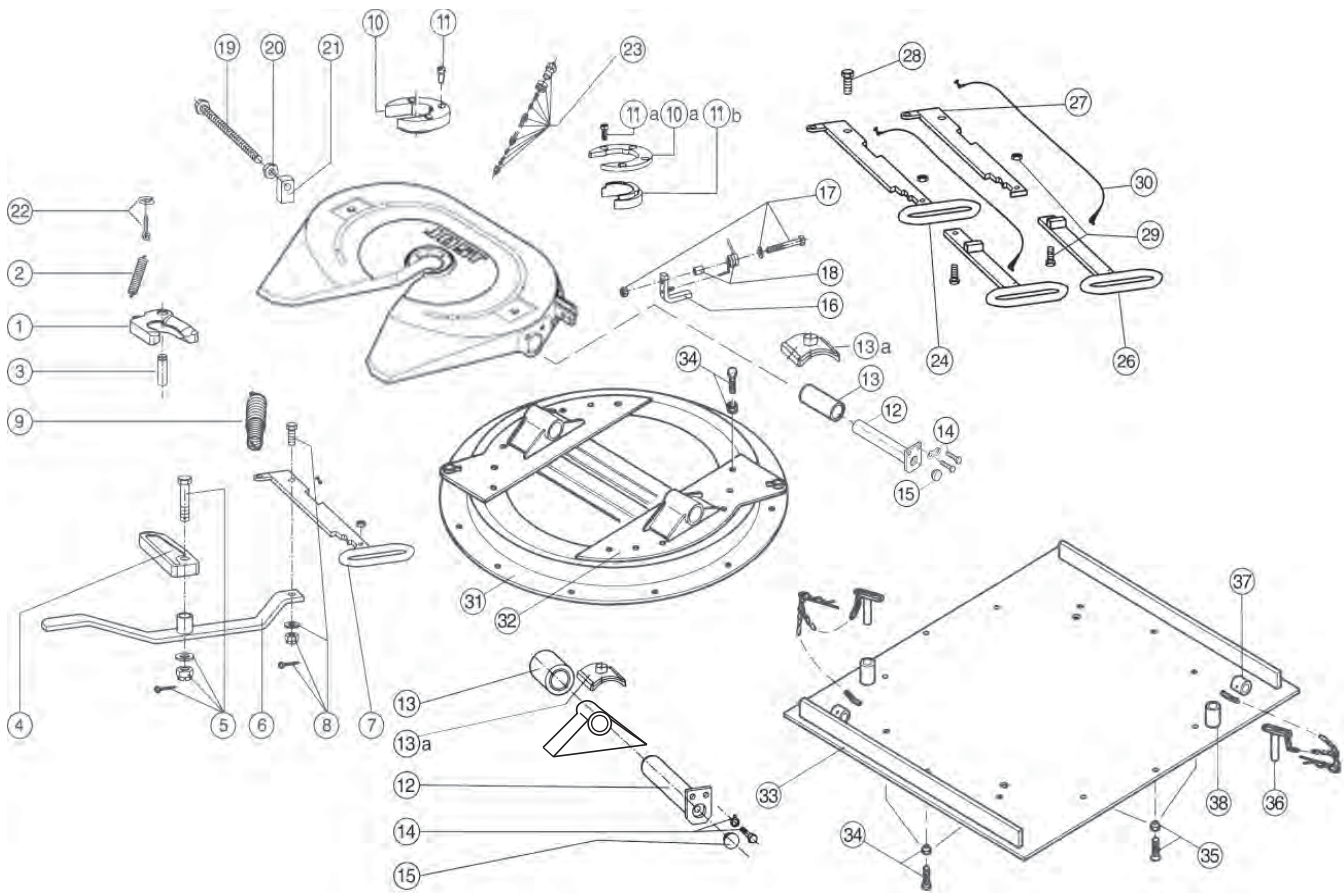


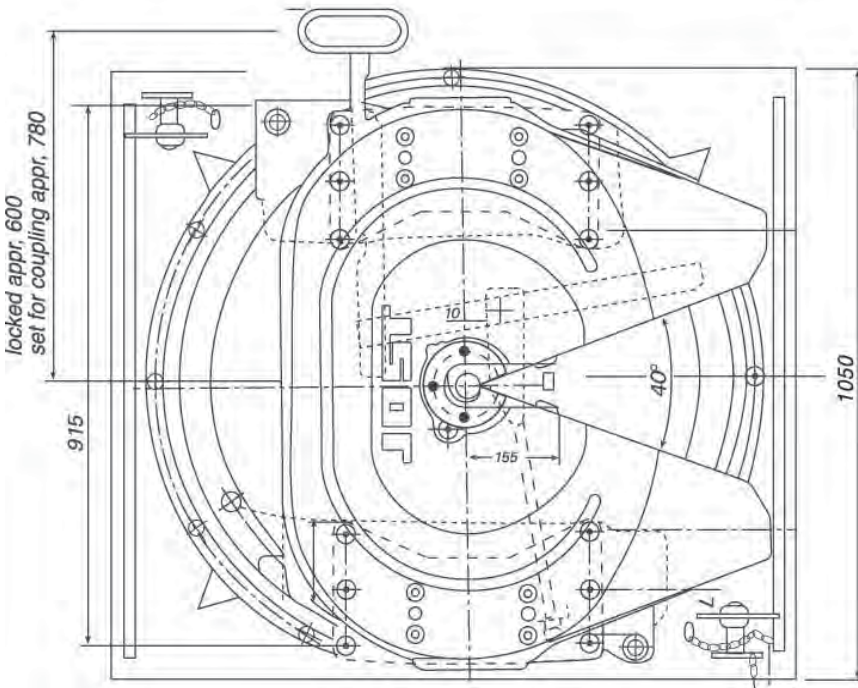
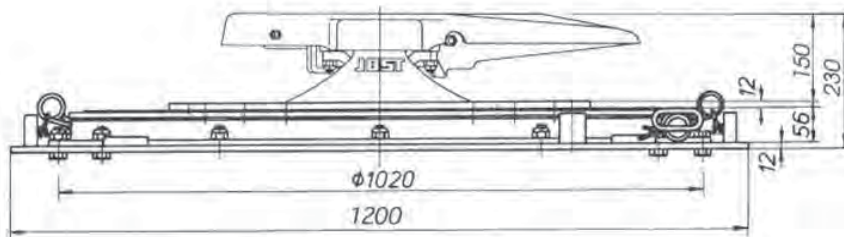
Fig.	Description	Part No. LP 37 E
1	Jaw	SK 1489 Z
2	Jaw Spring	SK 847
3	Jaw Pivot	SK 2106-67
4	Locking Bar	SK 3205-06
5	Lock Bar Bolt	SK 3221-01
6	Release Lever	SK 3105-18
7	Operating Handle	SK 3105-15
8	Head Bolt	SK 1513
9	Double Tension Spring	SK 3105-20
10	Wear Ring Fixture	SK 2105-19
10a	Wear Ring Fixture	SK 3105-93
11	Wear Ring Bolt	SK 2121-07
11b	Wear Ring Insert	SK 3105-92
11a	Wear Ring Bolt	SK 3121-55
12	Swivel Pin	SK 3104-05
13	Pedestal Bush	SK 2905-20
13a	Collar	SK 3105/95
14	Swivel Pin Bolt	SK 3121-28
15	Swivel Pin Plug	JS 1101-12
16	Spring Latch	SK 3121-52
17	Bolt for Spring Latch	SK 3521-03
18	Spring for Latch	SK 3121-59

Fig.	Description	Part No. LP 37 E
19	Adjusting Screw	SK 3105-97
20	Hex Nut	SK 2121-78
21	Guide Piece	SK 3205-07
22	Eye Bolt Complete	SK 2122-04
23	Grease Line Complete	SK 3108-02
24	Operating Handle	SK 3105-15
26	Handle Extension	SK 3105-113
27	Internal Operating Handle	SK 3105-115
28	Head Bolt	SK 1513
29	Extended Handle Bolt	SK 2421-50
30	Cable Extension	SK 3521-02
31	Ball bearing	KDL 900-6W
32	Half Moon c/w 130mm Ped.	SK 3704-02
33a	Base plate (12mm) incl.56,57,58	SK 3706-12
33b	Base plate (16mm) incl.56,57,58	SK 3706-16
33c	Base plate (20mm) incl.56,57,58	SK 3706-20
34	Hex. bolt compl.	SK 3721-04
35	Countersunk bolt compl.	SK 3721-05
36	lock out pin compl.	SK 3706-10
37	Tube park	SK 3706-04
38	Tube lock out	SK 3706-05

Fig.	Repair Kits	Part No
1,2,3	Repair kit for locking device	SK 3221-52 Z
12,13,13a,14,15	Repair kit for locking device	SK 3121-061
1,2,3,8,11,23,28	Repair kit for locking device	SK 3121-060 Z
10,11,11a	Repair kit for wear ring	SK 3105-94 Kit

8/08

Type LP 37 CZ Cast top



Application: Stock crate
Fridge van
General freight
Tankers

also available with:

16mm Base Plate LP 37 CZ 16mm

20mm Base Plate LP 37 CZ 20mm

Narrow chassis width available
ie European spec

*Note thicker base plate determines
extra weight and height.

D-Value	190kN
Overall height	230 mm
Imposed load	20000 kgs
Gross comb. weight	135000 kgs
Weight approx. (for 12mm base plate)	367 kgs
CRN	24836

Twin lockouts.
Flush bolt heads on mounting plate
in chassis mounting zone. Cast
type unit equipped with external
king pin grease point for additional
lubrication to the jaw.
Wear ring easily removed from
above on JSK 37 CZ fifth wheel.
Mounting must be carried out in
accordance with our instructions.

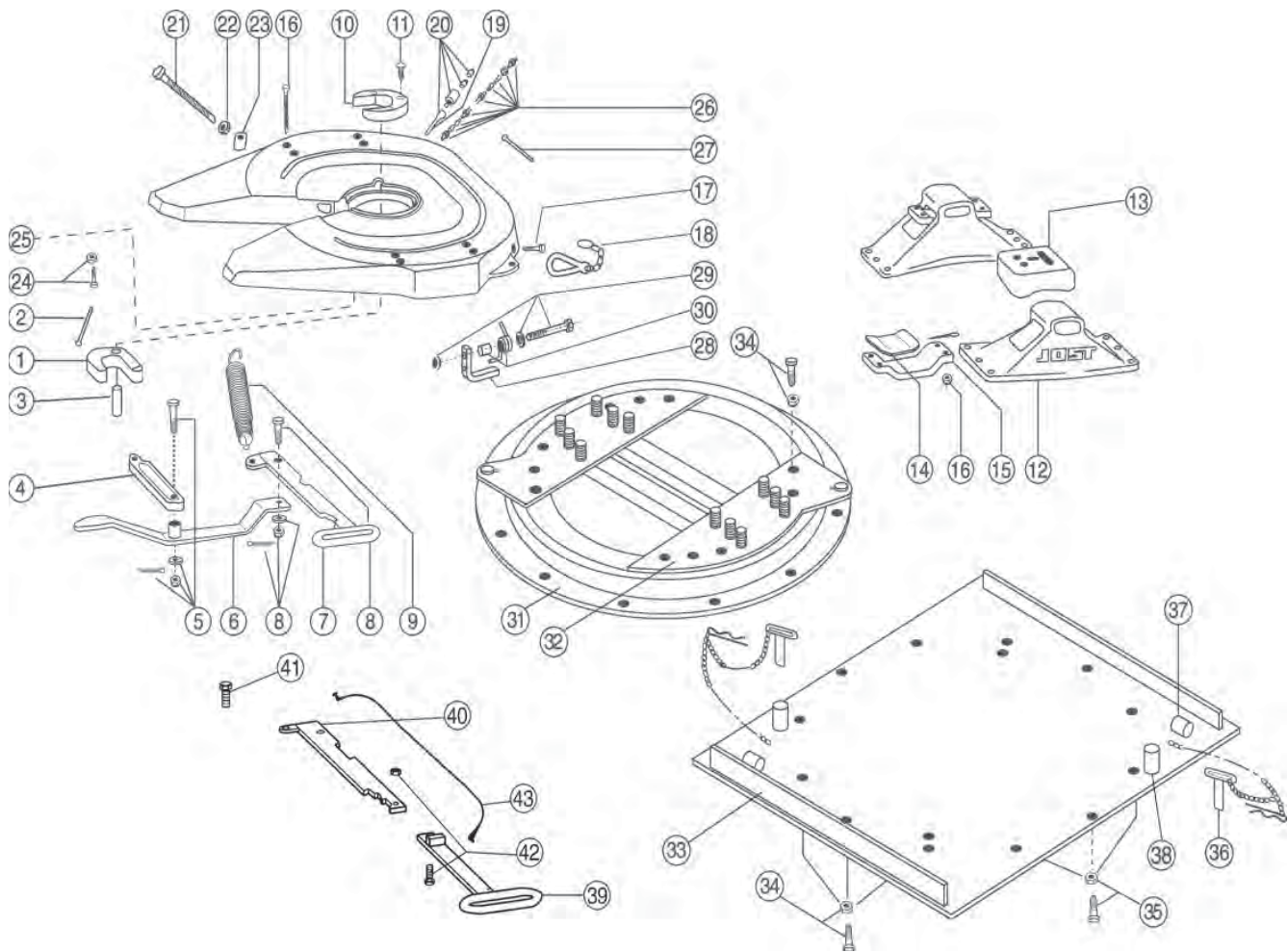
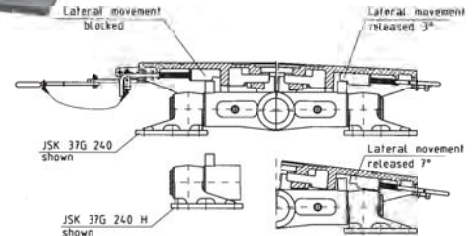
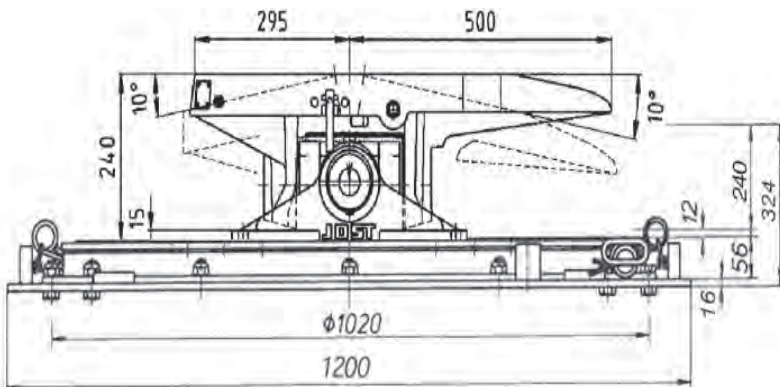
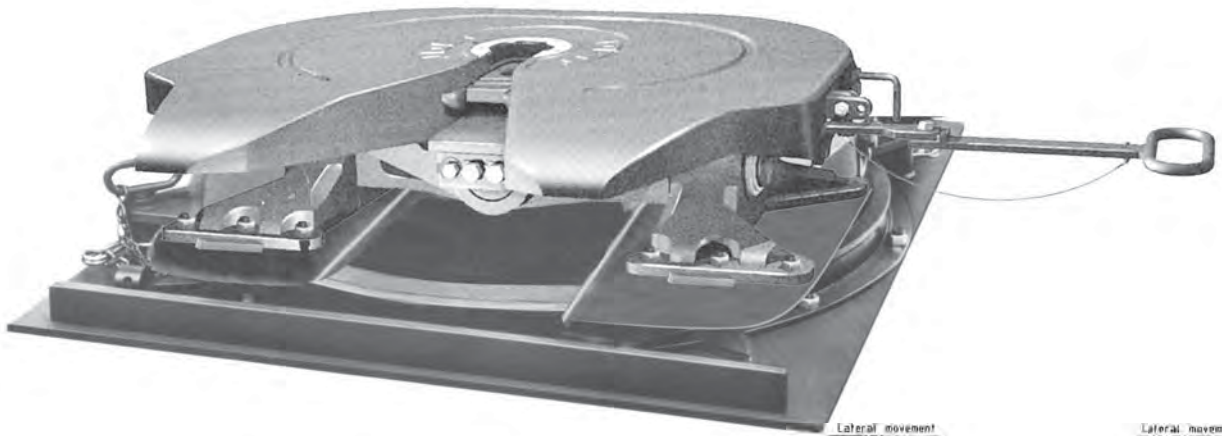


Fig.	Description	Part No LP 37 CZ
1	Lock jaw	SK 1489 Z
2	Lock jaw spring	SK 847
3	Pivot for lock jaw, compl.	SK 2106-67
4	Locking bar	SK 3205-06
5	Locking bar bolt, compl.	SK 3221-01
6	Lever	SK 3105-18
7	Operating handle	SK 3105-15
8	Head bolt	SK 1513
9	Double tension spring	SK 3105-20
10	Wearing ring	SK 2105-19
11	Socket head bolt	SK 2121-07
12	Pedestal (185mm)	SK 2104-01X
	Pedestal (170mm)	SK 2104-21X
	Pedestal (150mm)	SK 2104-02X
13	Upper rubber cushion	SK 1259
14	Lower rubber cushion	SK 2105-25
15	Mounting bracket	SK 1372
16	Socket head bolt, compl.	SK 2121-15
17	Split pin	SK 1974
18	Spring hook pre 1995	SK 1436
18b	Wedge	SK 1436 V
19	Lubrication fitting	SK 1989
20	Grease nipple compl	SK 1976
21	Adjusting Screw	SK 3105-05
22	Hexagon nut	SK 2121-78
23	Guide piece	SK 3205-07
24	Eye bolt compl.	SK 2122-04
25	Grease nipple	SK 3121-11

Fig.	Description	Part No. LP 37 CZ
26	Lubrication tubing with Fig. 27	SK 3108-02
27	Tubing clamp	SK 3121-13
28	Spring Latch 1996 onwards	SK 3121-52
29	Bolt for Spring Latch	SK 3521/03
30	Spring for Latch	SK 3121/59
31	Ball bearing	KDL 900-6
32	Half moon compl.	SK 3706-29
33a	Base plate (12mm) incl.36,37,38	SK 3706-12
33b	Base plate (16mm) incl.36,37,38	SK 3706-16
33c	Base plate (20mm) incl.36,37,38	SK 3706-20
34	Hex. bolt compl.	SK 3721-04
35	Countersunk bolt compl.	SK 3721-05
36	lock out pin compl.	SK 3706-10
37	Tube park	SK 3706-04
38	Tube lock out	SK 3706-05
39	Handle Extension	SK 3105-113
40	Internal Operating Handle	SK 3105-115
41	Head Bolt	SK 1513
42	Extended Handle Bolt	SK 2421-50
43	Cable Extension	SK 3521-02
Repair Kits		
1,2,3,10,11,26	Repair kit for locking device	SK 3221-50 Z
1,2,3,26	Repair kit for locking device	SK 3221-52 Z
1,2,3,8	Repair kit for locking device	SK 3121-50 Z
10,11,18,26		
13,14,16	Repair kit for rubber bearing	SK 2121-69 Z
28, 29, 30	Kit for latch	SK 3121-52 Kit

Type LP 37 G-240-16 Cast top 2''



Heavy duty off road
Applications: Low Loaders
Step Deck Trailers

Standard with 16 mm base plate
optional: 20mm Base Plate

LP 37 G-240-16

D-Value	162.4kN
Overall height	324 mm
Imposed load	21000 kgs
Gross comb. weight	125000 kgs
Weight approx.	490 kgs
(for 16mm base plate)	
CRN	24831

Twin lockouts.

Flush bolt heads on mounting plate in chassis mounting zone.

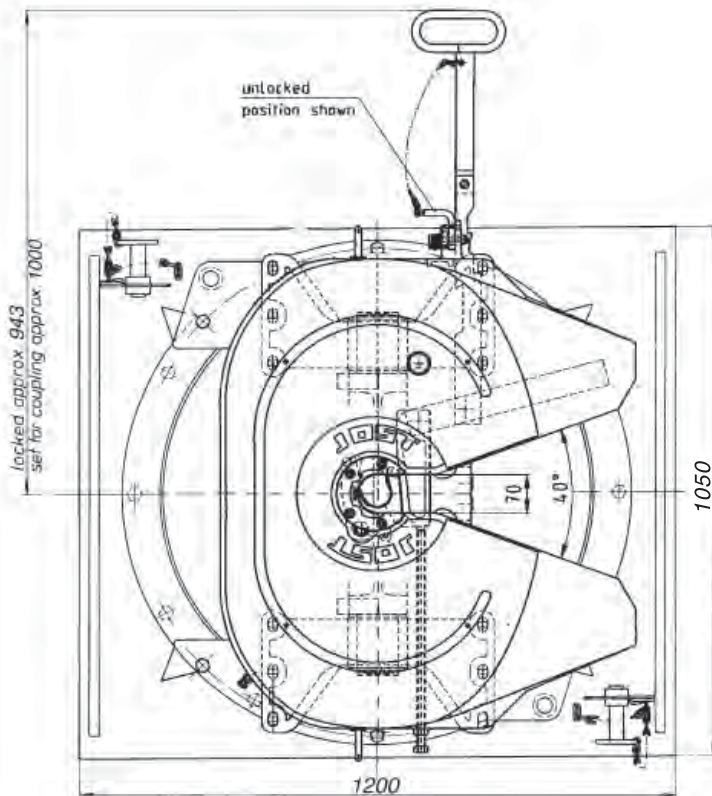
JSK 37 G-240 fifth wheel coupling for operation under arduous conditions.

The well known JOST locking device together with the maintenance free cardan mounting ensures a high degree of stability and safety on the road and off road.

The lateral movement of 7° is designed to compensate for the roll between the truck and semi-trailer during off-road use. On the road, and especially at higher speeds, it must be locked at 3° or blocked for safety reasons.

Lock jaw and wearing ring can be replaced without difficulty in a few minutes with the fifth wheel still in position.

Mounting must be carried out in accordance with our instructions.



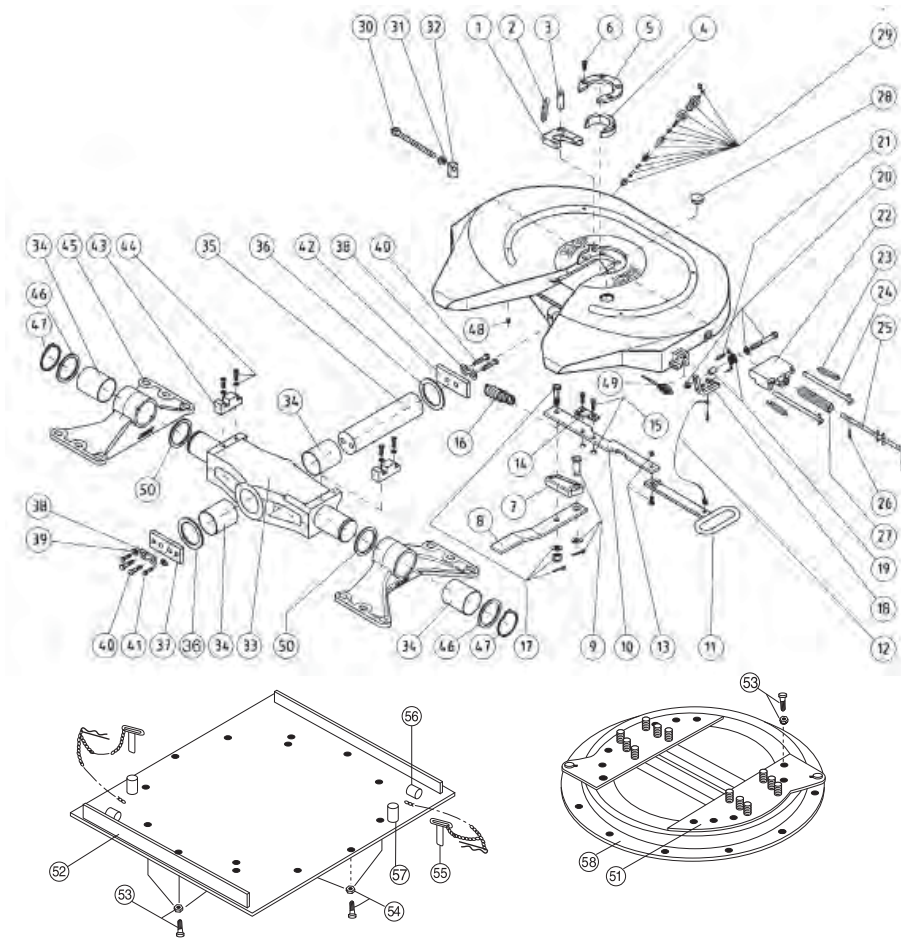
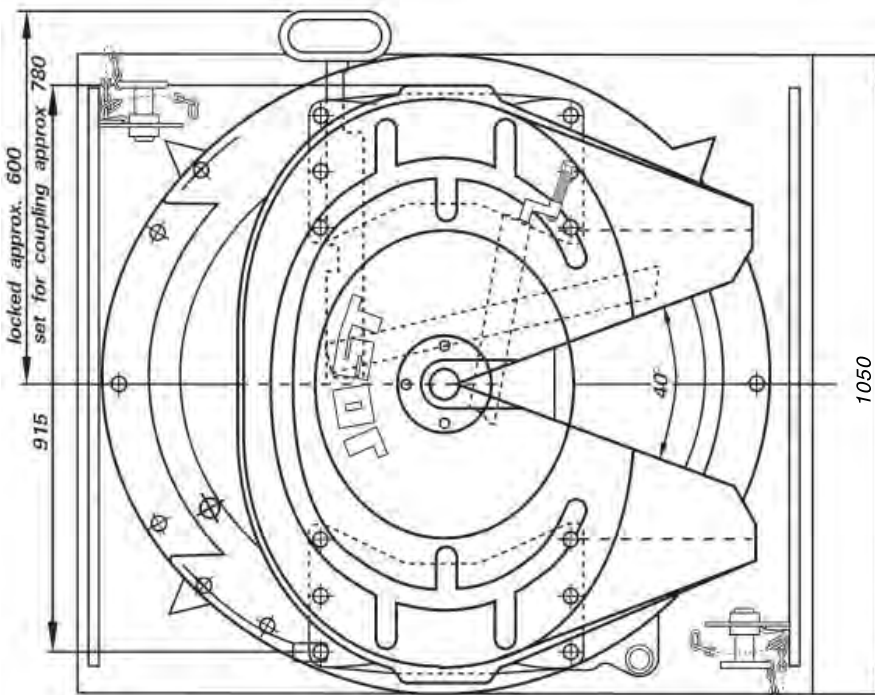
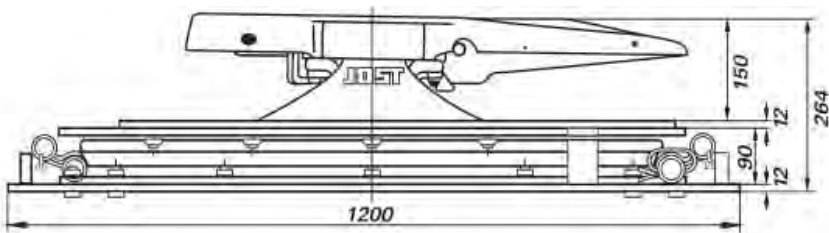


Fig.	Description	Part No. LP 37-G240-16	Fig.	Description	Part No. LP 37-240-16
1	Lock jaw	SK 1489 Z	31	Hexagon nut	SK 2121-78
2	Lock jaw spring	SK 847	32	Guide piece	SK 3205-07
3	Bolt	SK 2405-18	33	Rocking arm	SK 3304-002
4	Wearing ring	SK 3105-92	34	Bushing	SK 3304-010
5	Retainer for wearing ring	SK 3105-93	35	Pivot	SK 3304-003
6	Socket head bolt	SK 3121-55	36	Distance ring	SK 3304-009
7	Locking bar	SK 3305-001	37	Bracket	SK 3304-004
8	Lever	SK 3305-008	38	Safety bracket	SK 3304-006
9	Bolt compl.	SK 3353-005	39	Safety bracket	SK 2521-20
10	Securing lever	SK 3305-003	40	Hexagon bolt	000.001.114
11	Operating handle	SK 3105-113	41	Hexagon bolt	000.001.127
12	Wire cable compl.	SK 3521-02	42	Bracket	SK 3304-005
13	Socket head bolt compl.	SK 2421-50	43	Stop block	SK 3306-004
14	Retainer	SK 3305-004	44	Socket head bolt compl.	SK 3353-009
15	Socket head bolt compl.	SK 3353-006	45	Pedestal	SK 3304-001
16	Double tension spring	SK 3305-007	46	Distance ring	SK 3304-008
17	Socket head bolt compl.	SK 1513	47	Snap ring	000.006.057
18	Latch, compl.	SK 3521-01	48	Plug	000.010.021
19	Spring with spacer	SK 3521-09	49	Sensor	000.018.002
20	Hexagon bolt compl.	SK 3521-03	50	Distance Ring	SK 3304-007
21	Clamping sleeve	SK 2121-01	REPAIR KITS		
22	Clamp	SK 3306-001	34,36,38, 38,39,40, 41,42,47	Repair kit for cardan bearing	SK 3353-010
23	Tension spring	000.009.014	1,2,3, 4,6,	Repair kit for locking device	SK 3353-011
24	Guide rod with fig. 26	SK 3353-007			
25	Adjusting handle compl.	SK 3306-003			
26	Clamping sleeve	000.003.024			
27	Spring	000.009.015			
28	Plug	000.010.017			
29	Tubing compl.	SK 3353-008			
30	Adjusting screw	SK 2905-52			
Fig.	Description	Part No	Fig.	Description	Part No
58	Ball bearing	KDL 900-6W	54	Countersunk bolt compl.	SK 3721-05
51	Pedestals half moon compl.	SK 3706-29	55	lock out pin compl.	SK 3706-10
52	Base plate (16mm) incl.55,56,57	SK 3706-16	56	Tube park	SK 3706-04
53	Hex. bolt compl.	SK 3721-04	57	Tube lock out	SK 3706-05

Type: DR 36 CV cast top



Application: General Freight Tankers

also available with:

- 16mm Base Plate DR 36 CV 16mm
- 20mm Base Plate DR 36 CV 20mm
- *Note thicker base plate determines extra weight and height.

CRN	24832
Overall height	264 mm
Gross comb. weight	135000 kgs
Weight approx.	417 kgs
D-Value	190kN

Twin lockouts.
 Flush bolt heads on mounting plate in chassis mounting zone.
 Wearing ring easily removed from above on JSK 36 C-V fifth wheel.
 Mounting must be carried out in accordance with our instructions.

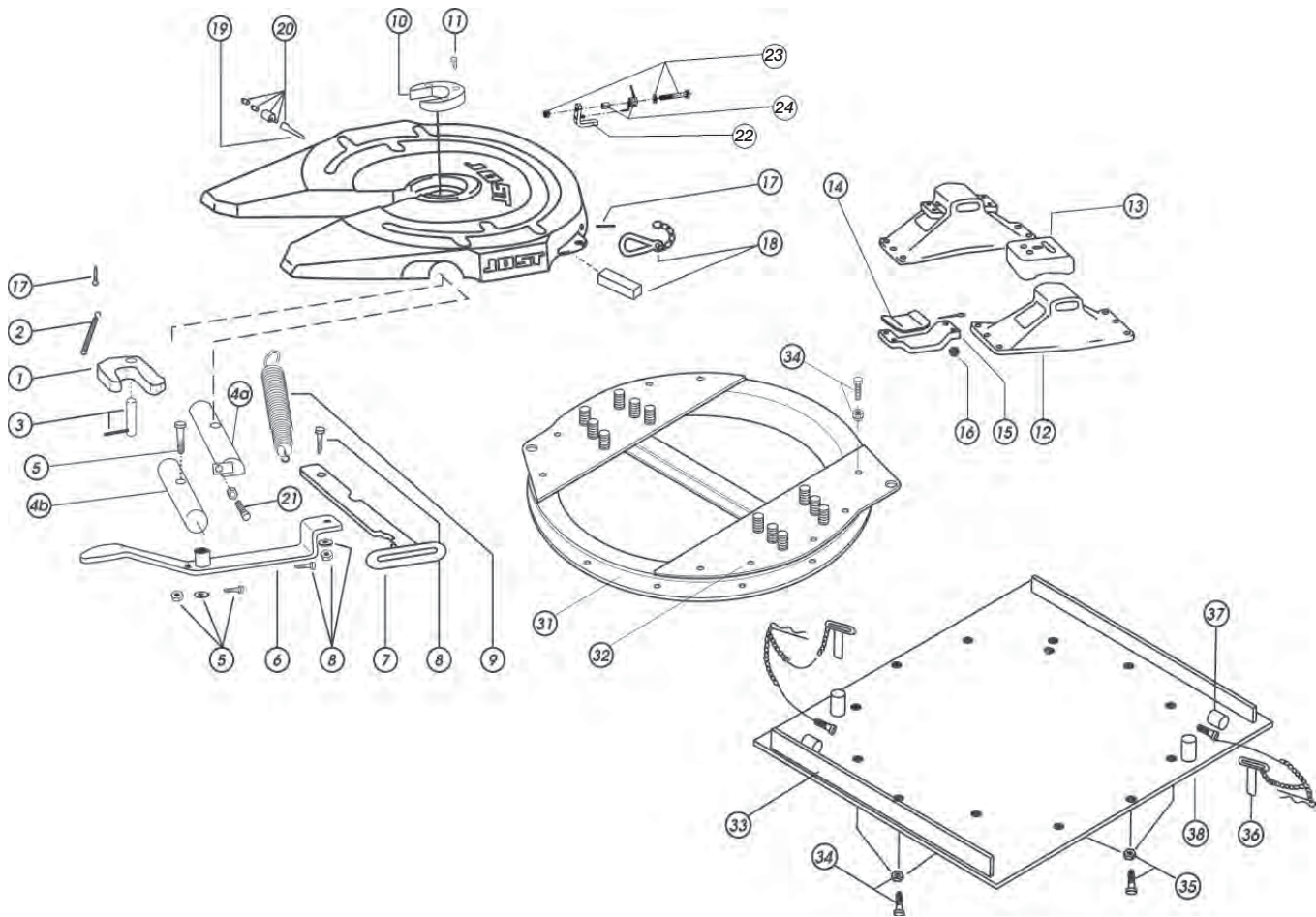
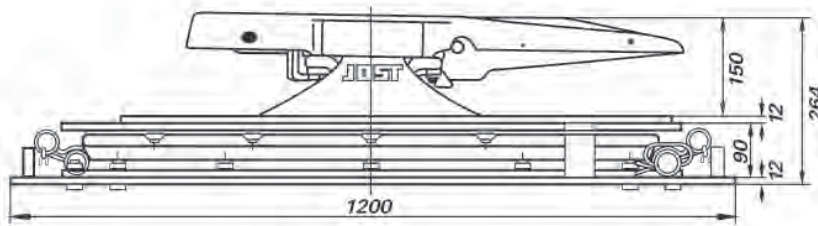


Fig.	Description	Part No DR 36 CV	Fig.	Description	Part No. DR 36 CV
1	Lock jaw	SK 2105-15	20	Grease nipple compl	SK 1976
2	Lock jaw spring	SK 847	21	Adjusting Screw	SK 2121-76
3	Pivot for lock jaw	SK 2121-13	22	Spring latch 1996 onwards	SK 3121-52
4a	Locking bar manual adjust after 1992	SK 2106-31	23	Bolt for spring latch	SK 3521-03
4b	Locking bar auto adjust pre 1992	SK 2105-17	24	Spring for latch	SK 3121-59
5	Locking bar bolt	SK 2122-25	31	Ball bearing	DK 90-14
6	Lever	SK 2105-01	32	Half moon compl.	SK 3706-40
7	Operating handle	SK 2105-07	33a	Base plate (12mm) incl.36,37,38	SK 3706-30
8	Head bolt	SK 1513	33b	Base plate (16mm) incl.36,37,38	SK 3706-31
9	Double tension spring	SK 2105-11	33c	Base plate (20mm) incl.36,37,38	SK 3706-32
10	Wearing ring	SK 2105-19	34	Hex. bolt compl.	SK 3721-04
11	Socket head bolt	SK 2121-07	35	Countersunk bolt compl.	SK 3721-05
12	Pedestal (185mm)	SK 2104-01X	36	lock out pin compl.	SK 3705-09
	Pedestal (170mm)	SK 2104-21X	37	Tube park	SK 3706-04
	Pedestal (150mm)	SK 2104-02X	38	Tube lock out	SK 3705-10
13	Upper rubber cushion	SK 1259		Repair Kits	
14	Lower rubber cushion	SK 2105-25	1,2,3,10,11	Repair kit for locking device	SK 2121-50
15	Mounting bracket	SK 1372	1,2,3	Repair kit for locking device	SK 2121-52
16	Hex bolt	SK 60	1,2,3,8	Repair kit for locking device	SK 2121-68
17	Split pin	SK 1974	10,11,18,		
18	Spring hook	SK 1436V	13,14,16	Repair kit for rubber bearing	SK 2121-69
19	Lubrication fitting compl.	SK 2105-28	22,23,24	Repair kit for spring latch	SK 3121-52 Kit

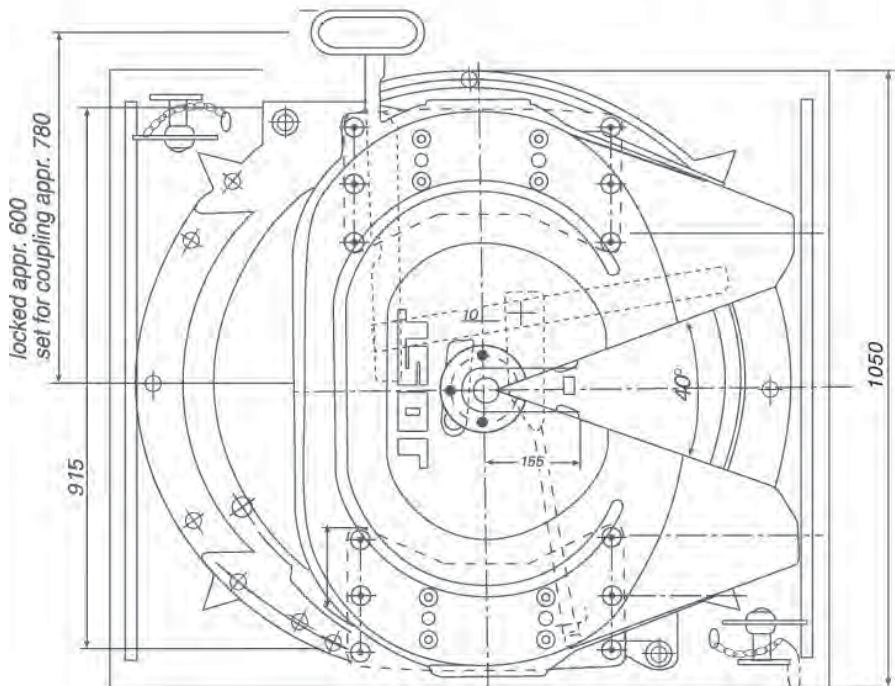
Type: DR 37 C-Z cast top



Application: General Freight Tankers

also available with:

16mm Base Plate DR 37 CZ 16mm
 20mm Base Plate DR 37 CZ 20mm
 *Note thicker base plate determines extra weight and height.



CRN	24842
Overall height	264 mm
Imposed load	20000 kgs
Gross comb. weight	135000 kgs
Weight approx. (12mm Base)	405 kgs
D-Valve	190kN

Twin lockouts.
 Flush bolt heads on mounting plate in chassis mounting zone. Cast type unit equipped with external king pin grease point for additional lubrication to the jaw.
 Wearing ring easily removed from above on JSK 37 C-Z fifth wheel.
 Mounting must be carried out in accordance with our instructions.

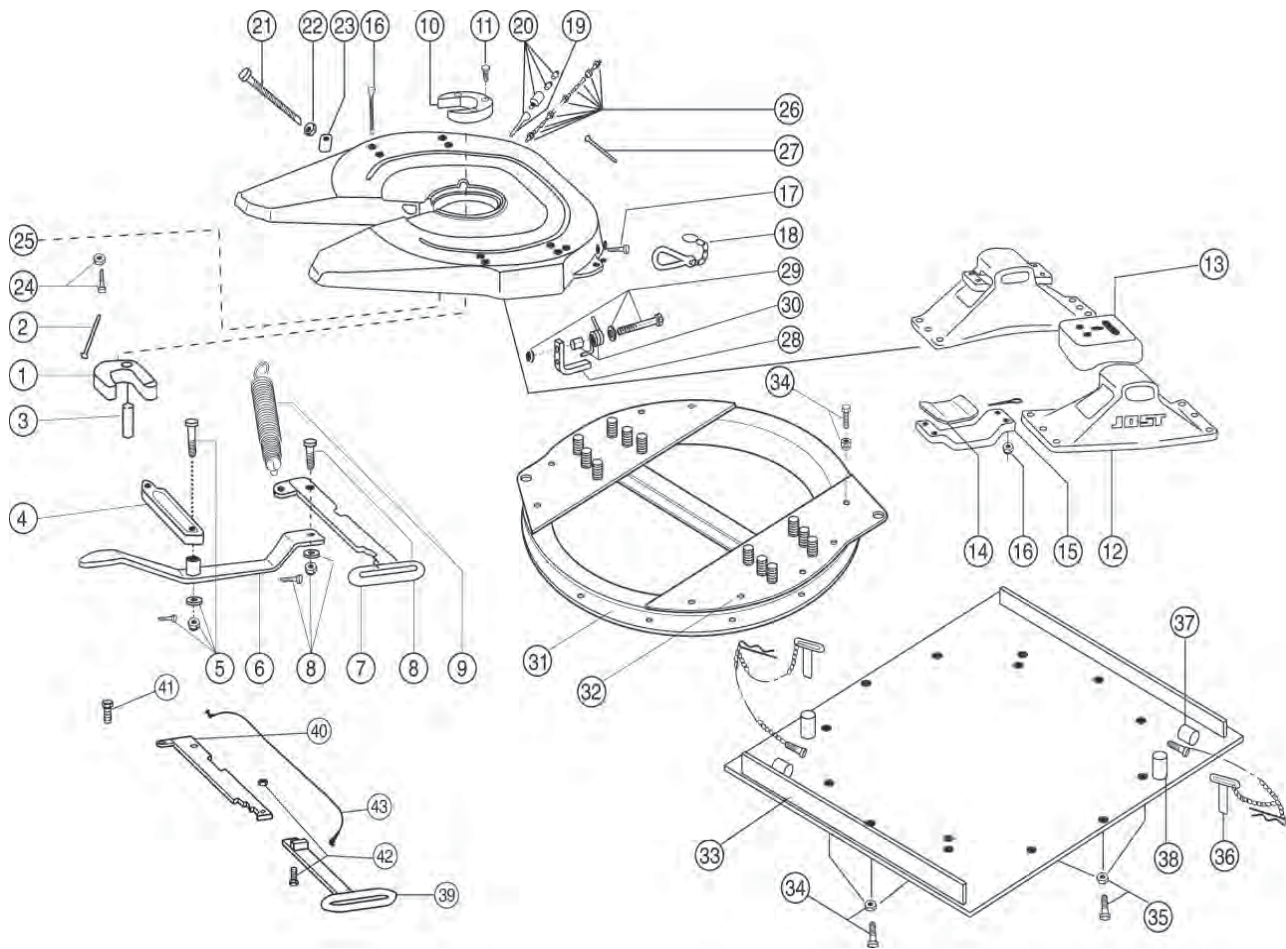
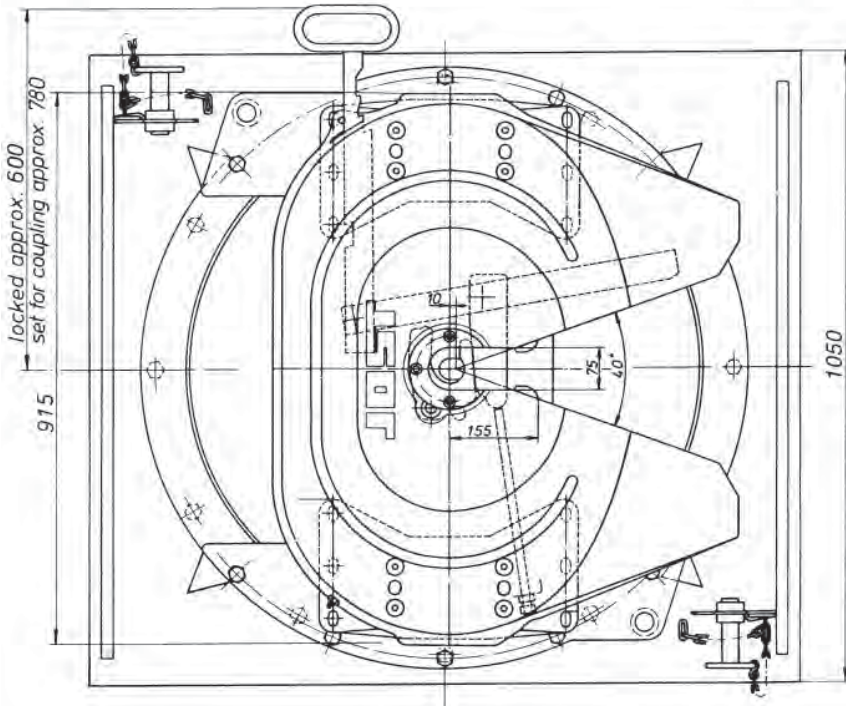
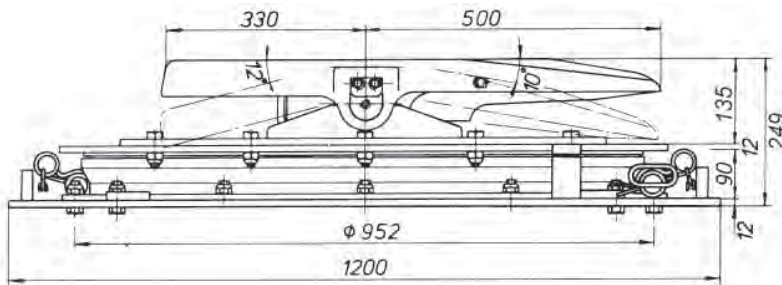


Fig.	Description	Part No DR 37 CZ
1	Lock jaw	SK 1489-Z
2	Lock jaw spring	SK 847
3	Pivot for lock jaw, compl.	SK 2106-67
4	Locking bar	SK 3205-06
5	Locking bar bolt, compl.	SK 3221-01
6	Lever	SK 3105-18
7	Operating handle	SK 3105-15
8	Head bolt	SK 1513
9	Double tension spring	SK 3105-20
10	Wearing ring	SK 2105-19
11	Socket head bolt	SK 2121-07
12	Pedestal (185mm)	SK 2104-01X
	Pedestal (170mm)	SK 2104-21X
	Pedestal (150mm)	SK 2104-02X
13	Upper rubber cushion	SK 1259
14	Lower rubber cushion	SK 2105-25
15	Mounting bracket	SK 1372
16	Socket head bolt, compl.	SK 2121-15
17	Split pin	SK 1974
18	Spring hook	SK 1436
19	Lubrication fitting	SK 1989
20	Grease nipple compl	SK 1976
21	Adjusting Screw	SK 3105-05
22	Hexagon nut	SK 2121-78
23	Guide piece	SK 3205-07
24	Eye bolt compl.	SK 2122-04
25	Grease nipple	SK 3121-11

Fig.	Description	Part No. DR 37 CZ
26	Tubing compl.	SK 3353-008
27	Tubing clamp	SK 3121-13
28	Spring Latch 1996 onwards	SK 3121-52
29	Bolt for Spring Latch	SK 3521/03
30	Spring for Latch	SK 3121/59
31	Ball bearing	DK 90-14
32	Half moon compl.	SK 3706-40
33a	Base plate (12mm) incl.36,37,38	SK 3706-30
33b	Base plate (16mm) incl.36,37,38	SK 3706-31
33c	Base plate (20mm) incl.36,37,38	SK 3706-32
34	Hex. bolt compl.	SK 3721-04
35	Countersunk bolt compl.	SK 3721-05
36	lock out pin compl.	SK 3705-09
37	Tube park	SK 3706-04
38	Tube lock out	SK 3705-10
39	Handle Extension	SK 3105-113
40	Internal Operating Handle	SK 3105-115
41	Head Bolt	SK 1513
42	Extended Handle Bolt	SK 2421-50
43	Cable Extension	SK 3521-02
Repair Kits		
1,2,3,10,11	Repair kit for locking device	SK 3221-50Z
1,2,3	Repair kit for locking device	SK 3221-52Z
1,2,3,8	Repair kit for locking device	SK 3121-50Z
10,11,18, 13,14,16 28,29,30	Repair kit for rubber bearing Latch Kit	SK 2121-69Z SK 3121-52 Kit

Type: DR 37 E cast top



Application: Highway work
Tipper work

also available with:

16mm Base Plate DR 37 E 16mm
20mm Base Plate DR 37 E 20mm
*Note thicker base plate determines extra weight
**Note only available on weld on feet

D-Value 190kN
Overall height 244 mm
Imposed load 20000 kgs
Gross comb. weight 135000 kgs
Weight approx. 394 kgs
(for 12mm base plate)
Complies with ADR 62,63
CRN 24840Twin lockouts.

Flush bolt heads on mounting plate in chassis mounting zone.
Wearing ring easily removed from above on JSK 37 E fifth wheel.
Mounting must be carried out in accordance with our instructions.

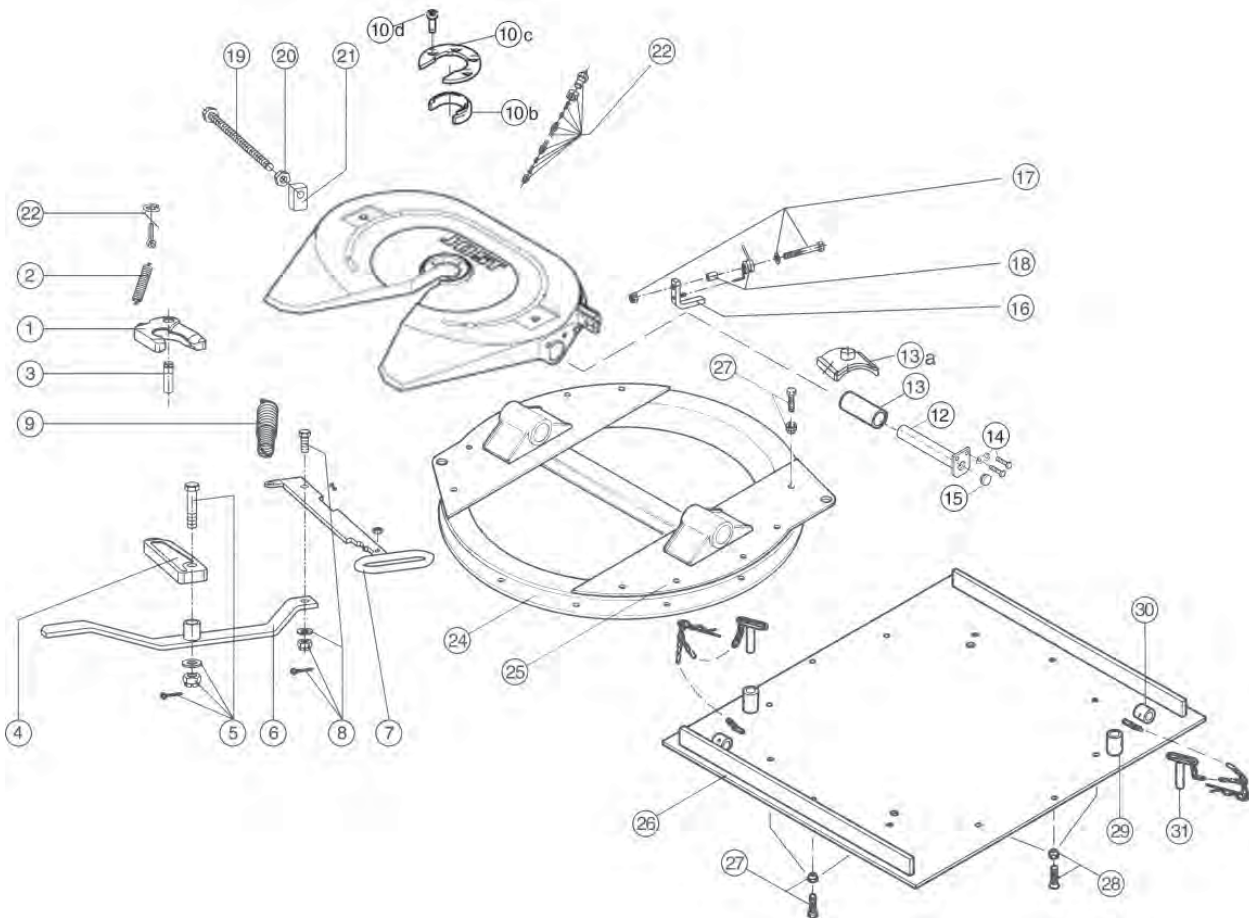
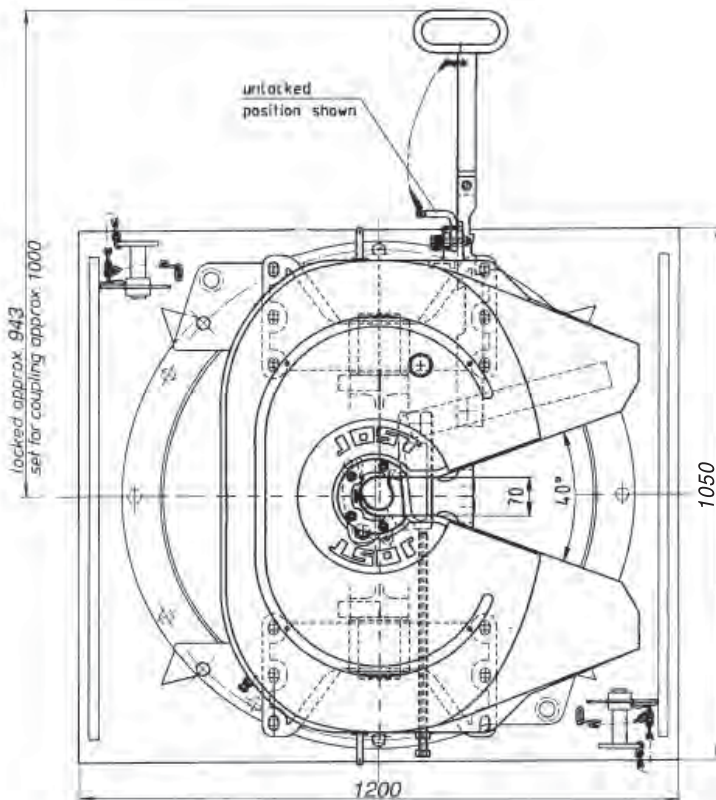
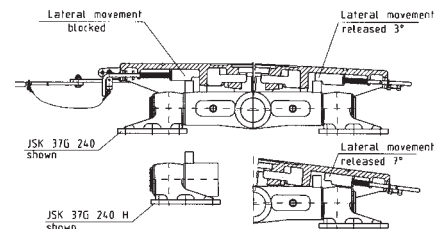
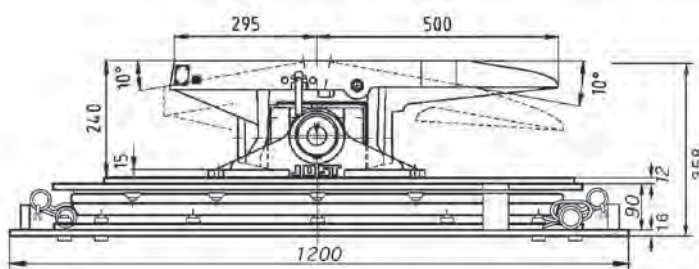
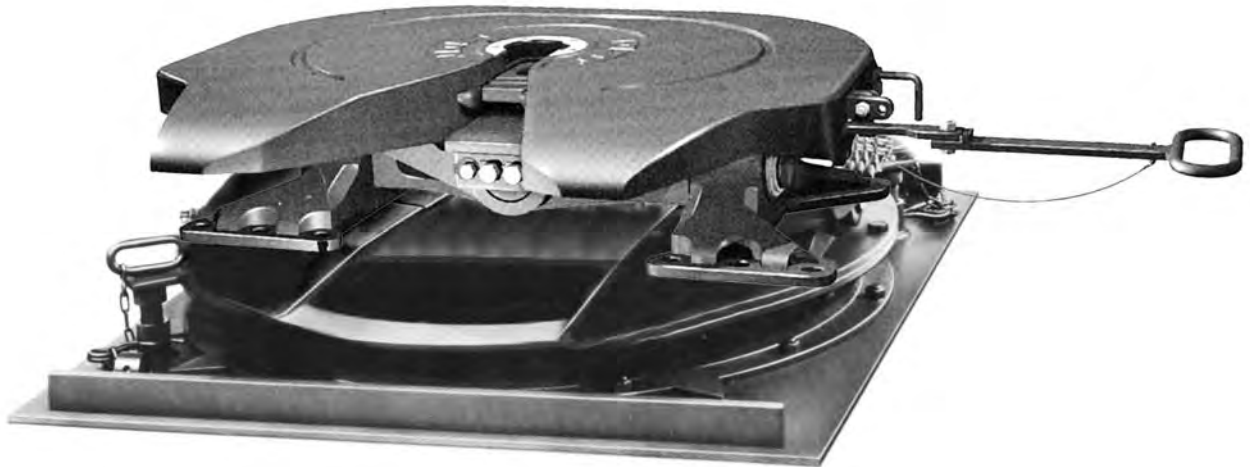


Fig.	Description	Part No. DR 37 E
1	Jaw	SK 1489 Z
2	Jaw Spring	SK 847
3	Jaw Pivot	SK 2106/67
4	Locking Bar	SK 3205/06
5	Lock Bar Bolt	SK 3221/01
6	Release Lever	SK 3105/18
7	Operating Handle	SK 3105/15
8	Head Bolt	SK 1513
9	Double Tension Spring	SK 3105/20
10a	Wear Ring	SK 2105/19
10b	Wear Ring	SK 3105/92
10c	Wear Ring Insert	SK 3105/93
10d	Wear Ring Bolt	SK 3121/55
11	Wear Ring Bolt	SK 2121/07
12	Swivel Pin	SK 3104/05
13	Pedestal Bush	SK 2905-20
13a	Collar	SK 3105/95
14	Swivel Pin Bolt	SK 3121/28
15	Swivel Pin Plug	JS 1101/12

Fig.	Description	Part No. DR 37 E
16	Spring Latch	SK 3121/52
17	Bolt for Spring Latch	SK 3521/03
18	Spring for Latch	SK 3121/59
19	Adjusting Screw	SK 3105/97
20	Hex Nut	SK 2121/78
21	Guide Piece	SK 3205/07
22	Eye Bolt Complete	SK 2122/04
23	Grease Line Complete	SK 3108/02
24	Ball bearing	DK 90/14
25	Half moon c/w 130mm Ped.	SK 3705-11
26a	Base plate (12mm) incl.56,57,58	SK 3706-30
26b	Base plate (16mm) incl.56,57,58	SK 3706-31
26c	Base plate (20mm) incl.56,57,58	SK 3706-32
27	Hex. bolt compl.	SK 3721-04
28	Countersunk bolt compl.	SK 3721-05
29	Lock out pin compl.	SK 3705-09
30	Tube park	SK 3706-04
31	Tube lock out	SK 3705-10

Fig.	Repair Kits	Part No
1,2,3	Repair kit for locking device	SK 3221-52 Z
12,13,13a,14,15	Repair kit for locking device	SK 3121-061
1,2,3,8,11,23,28	Repair kit for locking device	SK 3121-060 Z
10,11,11a	Repair kit for wear ring	SK 3105-94 Kit
16,17,18	Repair kit Latch	SK 3121-52 Kit

Type: DR 37 G-240-16 Cast top



Heavy duty off road
Applications: Low Loaders
Step Deck Trailers
Tankers

Standard with 16 mm base plate
optional: 20mm Base Plate

DR 37 G-240-16

D-Value	162.4kN
Overall height	358 mm
Imposed load	21000 kgs
Gross comb. weight	125000 kgs
Weight approx. (for 16mm base plate)	518 kgs
CRN	24839

Twin lockouts.

Flush bolt heads on mounting plate in chassis mounting zone.

Jsk 37 G-240 fifth wheel coupling for operation under arduous conditions.

The well known JOST locking device together with the maintenance free cardan mounting ensures a high degree of stability and safety on the road and off road.

The lateral movement of 7° is designed to compensate for the roll between the truck and semi-trailer during off-road use. On the road, and especially at higher speeds, it must be locked at 3° or blocked for safety reasons.

Lock jaw and wearing ring can be replaced without difficulty in a few minutes with the fifth wheel still in position.

Mounting must be carried out in accordance with our instructions.

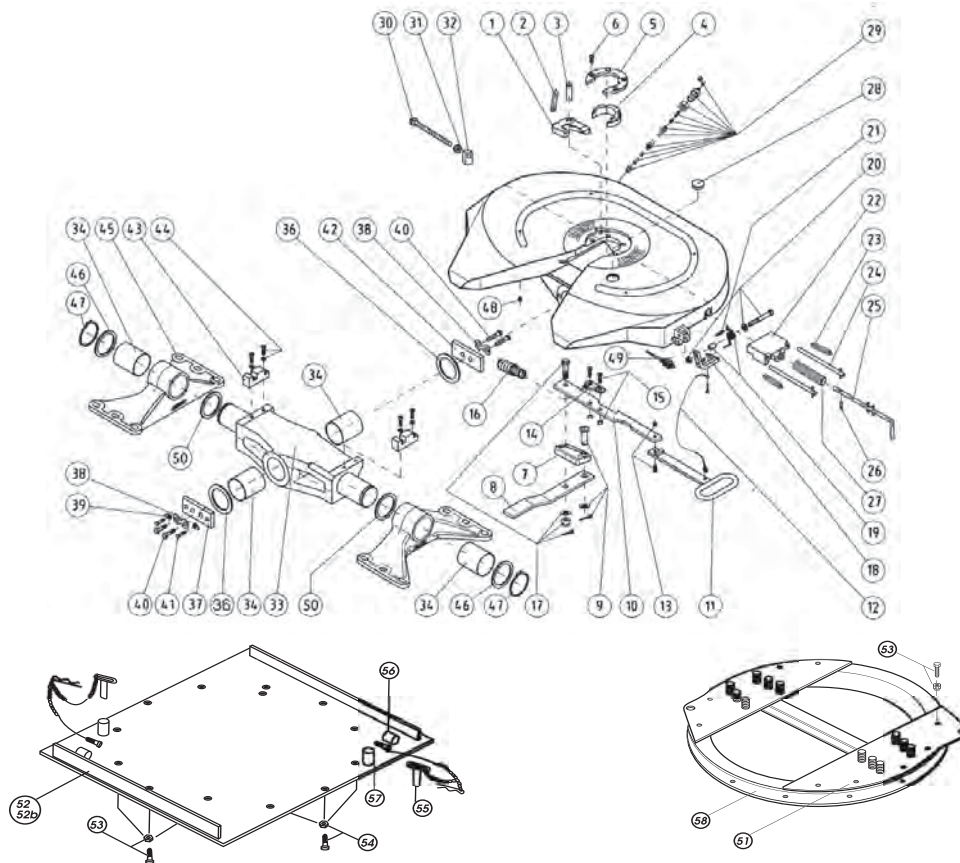
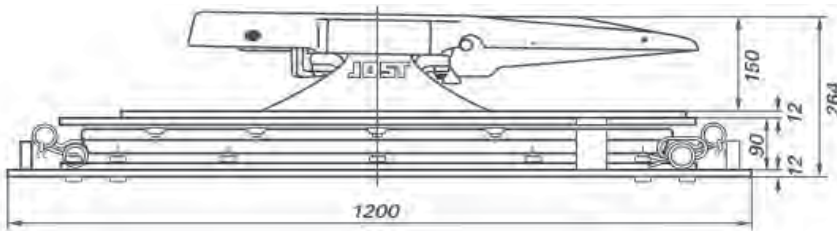


Fig.	Description	Part No. DR 37-240-16	Fig.	Description	Part No. DR 37-240-16
1	Lock jaw	SK 1489 Z	31	Hexagon nut	SK 2121-78
2	Lock jaw spring	SK 847	32	Guide piece	SK 3205-07
3	Bolt	SK 2405-18	33	Rocking arm	SK 3304-002
4	Wearing ring	SK 3105-92	34	Bushing	SK 3304-010
5	Retainer for wearing ring	SK 3105-93	35	Pivot	SK 3304-003
6	Socket head bolt	SK 3121-55	36	Distance ring	SK 3304-009
7	Locking bar	SK 3305-001	37	Bracket	SK 3304-004
8	Lever	SK 3305-008	38	Safety bracket	SK 3304-006
9	Bolt compl.	SK 3353-005	39	Safety bracket	SK 2521-20
10	Securing lever	SK 3305-003	40	Hexagon bolt	000.001.114
11	Operating handle	SK 3105-113	41	Hexagon bolt	000.001.127
12	Wire cable compl.	SK 3521-02	42	Bracket	SK 3304-005
13	Socket head bolt compl.	SK 2421-50	43	Stop block	SK 3306-004
14	Retainer	SK 3305-004	44	Socket head bolt compl.	SK 3353-009
15	Socket head bolt compl.	SK 3353-006	45	Pedestal	SK 3304-001
16	Double tension spring	SK 3305-007	46	Distance ring	SK 3304-008
17	Head bolt compl.	SK 1513	47	Snap ring	000.006.057
18	Latch	SK 3521-01	48	Plug	000.010.021
19	Spring with spacer	SK 3521-09	49	Sensor	000.018.002
20	Hexagon bolt compl.	SK 3521-03	50	Distance Ring	SK 3304-007
21	Clamping sleeve	SK 2121-01	REPAIR KITS		
22	Clamp	SK 3306-001	34,38 39,40, 41 42, 47	Repair kit for cardan bearing	SK 3353-010
23	Tension spring	000.009.014	1,2,3, 4,6,	Repair kit for locking device	SK 3353-011
24	Guide rod with fig. 26	SK 3353-007			
25	Adjusting handle compl.	SK 3306-003			
26	Clamping sleeve	000.003.024			
27	Spring	000.009.015			
28	Plug	000.010.017			
29	Tubing compl.	SK 3353-008			
30	Adjusting screw	SK 2905-52			
Fig.	Description	Part No	Fig.	Description	Part No
58	Ball bearing	DK 90-14	54	Countersunk bolt compl.	SK 3721-05
51	Half moon compl.	SK 3706-40	55	lock out pin compl.	SK 3705-09
52	Base plate (16mm) incl.55,56,57	SK 3706-31	56	Tube park	SK 3706-04
52b	Base plate (20mm) incl.55,56,57	SK 3706-32	57	Tube lock out	SK 3705-10
53	Hex. bolt compl.	SK 3721-04			

Type: SO 36 CV cast top



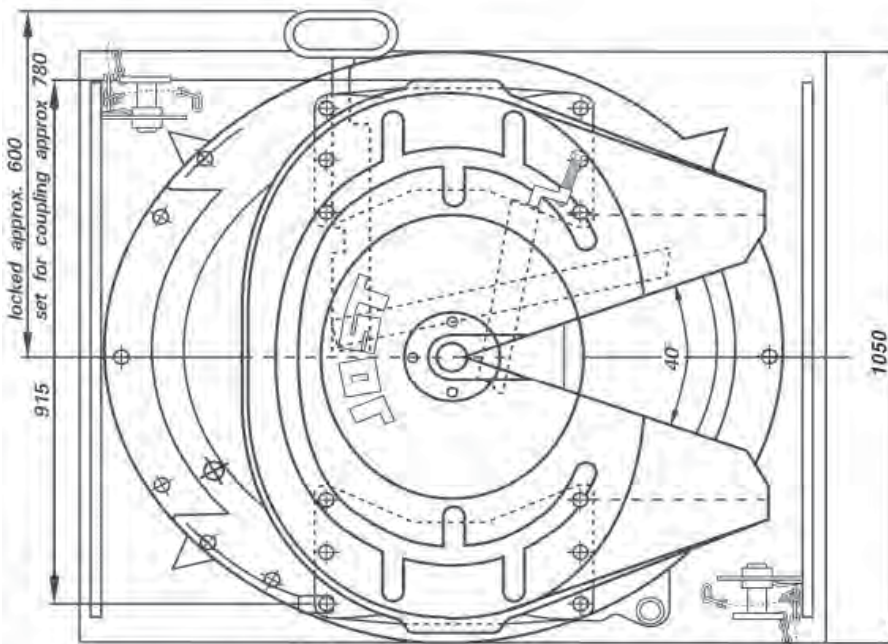
Application: General Freight Tankers

also available with:

16mm Base Plate SO 36 CV 16mm

20mm Base Plate SO 36 CV 20mm

*Note thicker base plate determines extra weight and height



Overall height	264 mm
Imposed load	20000 kgs
Gross comb. weight	115000 kgs
Weight approx.	401 kgs
D-Value	162.4kN
CRN	24844

Twin lockouts.
 Flush bolt heads on mounting plate in chassis mounting zone.
 Wearing ring easily removed from above on JSK 36 C-V fifth wheel.
 Mounting must be carried out in accordance with our instructions.

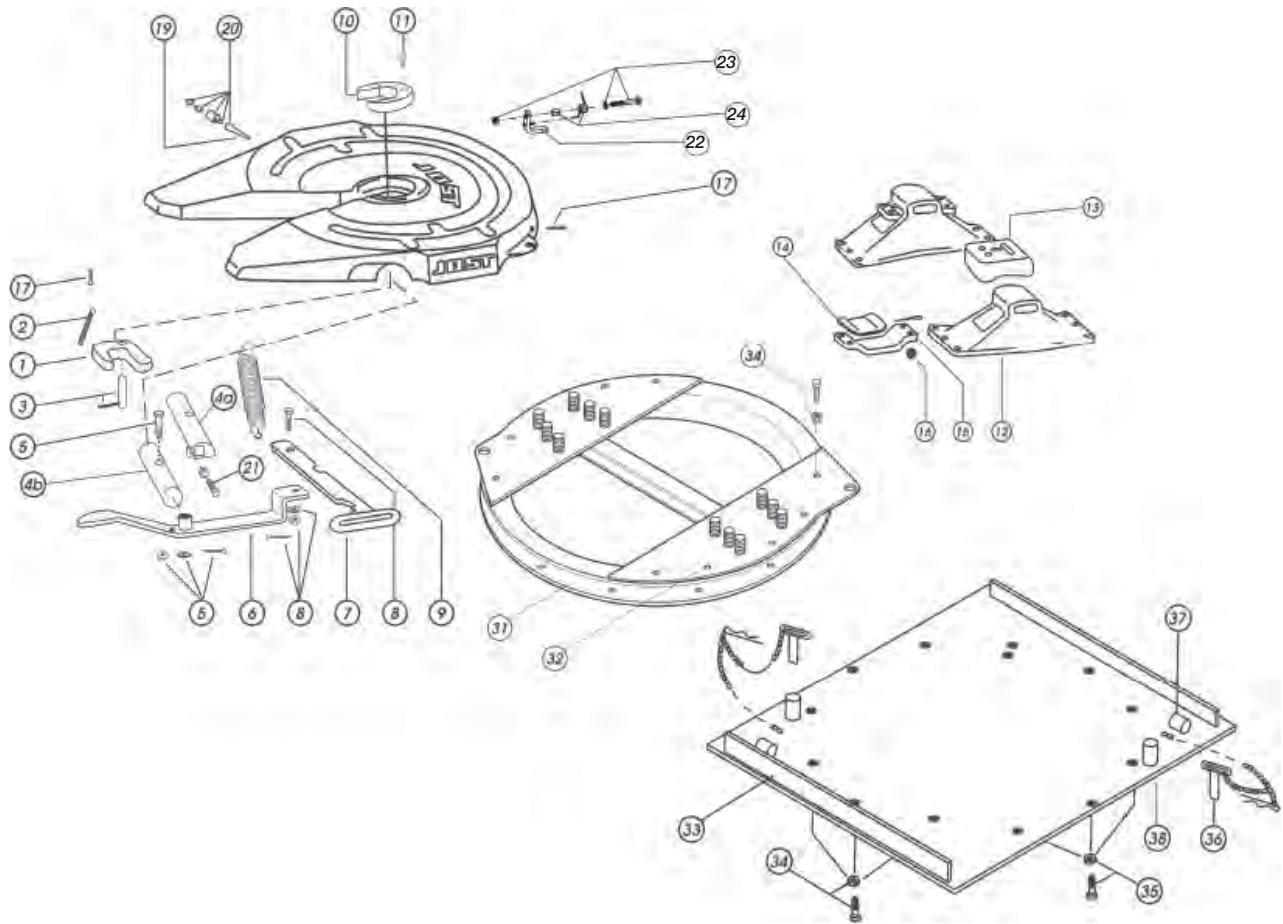


Fig.	Description	Part No SO 36CV
1	Lock jaw	SK 2105-15
2	Lock jaw spring	SK 847
3	Pivot for lock jaw	SK 2122-25
4a	Locking bar manual adjust after 1992	SK 2106-31
4b	Locking bar auto adjust pre 1992	SK 2105-17
5	Locking bar bolt	SK 2122-25
6	Lever	SK 2105-01
7	Operating handle	SK 2105-07
8	Socket head bolt	SK 1513
9	Double tension spring	SK 2105-11
10	Wearing ring	SK 2105-19
11	Head bolt	SK 2121-07
12	Pedestal (185mm)	SK 2104-01
	Pedestal (170mm)	SK 2104-21
	Pedestal (150mm)	SK 2104-02
13	Upper rubber cushion	SK 1259
14	Lower rubber cushion	SK 2105-25
15	Mounting bracket	SK 1372
16	Hex bolt	SK 60
17	Split pin	SK 1974
19	Lubrication fitting compl.	SK 2105-28
20	Grease nipple compl.	SK 1976

Fig.	Description	Part No. SO 36CV
21	Adjusting screw	SK 2121-76
22	Spring latch 1996 onwards	SK 3121-52
23	Bolt for spring latch	SK 3521-03
24	Spring for latch	SK 3121-59
31	Ball bearing	SO1000-24
32	Half moon compl.	SK 3706-40
33a	Base plate (12mm) incl.36,37,38	SK 3706-30
33b	Base plate (16mm) incl.36,37,38	SK 3706-31
33c	Base plate (20mm) incl.36,37,38	SK 3706-32
34	Hex. bolt compl.	SK 3721-04
35	Countersunk bolt compl.	SK 3721-05
36	lock out pin compl.	SK 3705-09
37	Tube park	SK 3706-04
38	Tube lock out	SK 3705-10
Repair Kits		
1,2,3,10,11	Repair kit for locking device	SK 2121-50
1,2,3	Repair kit for locking device	SK 2121-52
1,2,3,8	Repair kit for locking device	SK 2121-68
10,11,		
13,14,16	Repair kit for rubber bearing	SK 2121-69
22,23,24	Repair kit for spring latch	SK 3121-52 Kit

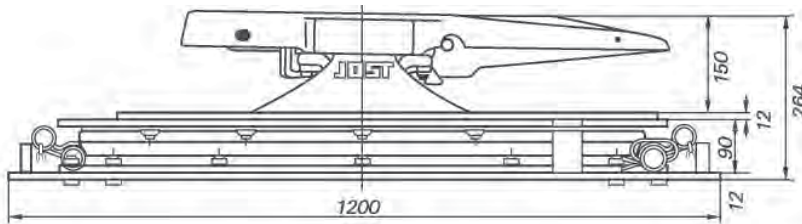
Type: SO 37 C-Z cast top



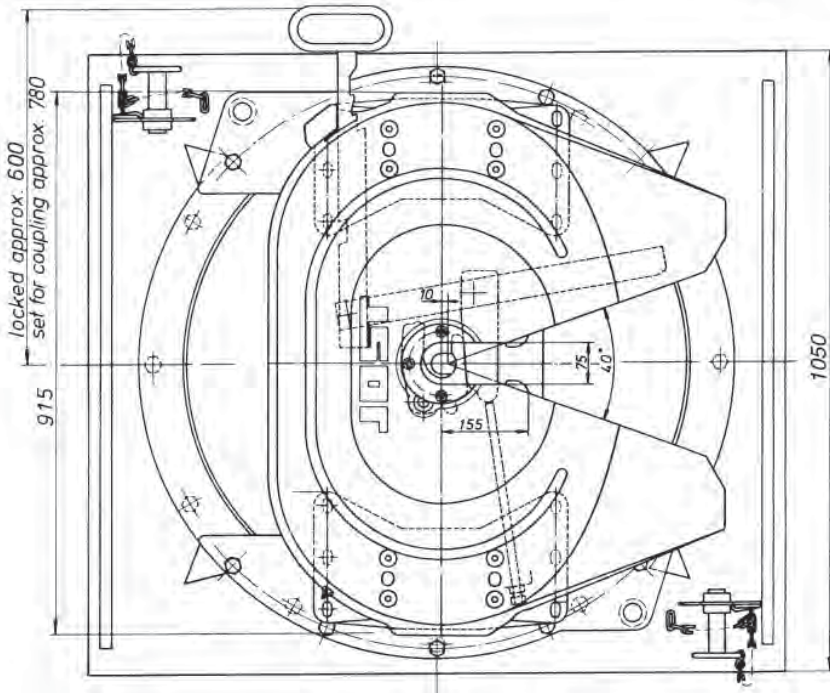
Application: General Freight Tankers

also available with:

16mm Base Plate SO 37 CZ 16mm
20mm Base Plate SO 37 CZ 20mm
*Note thicker base plate determines extra weight and height.



CRN	24845
Overall height	264 mm
Imposed load	20000 kgs
Gross comb. weight	115000 kgs
Weight approx.	389 kgs
D-Value	162.4KN



Twin lockouts.
Flush bolt heads on mounting plate in chassis mounting zone. Cast type unit equipped with external king pin grease point for additional lubrication to the jaw.
Wearing ring easily removed from above on JSK 37 C-Z fifth wheel.
Mounting must be carried out in accordance with our instructions.

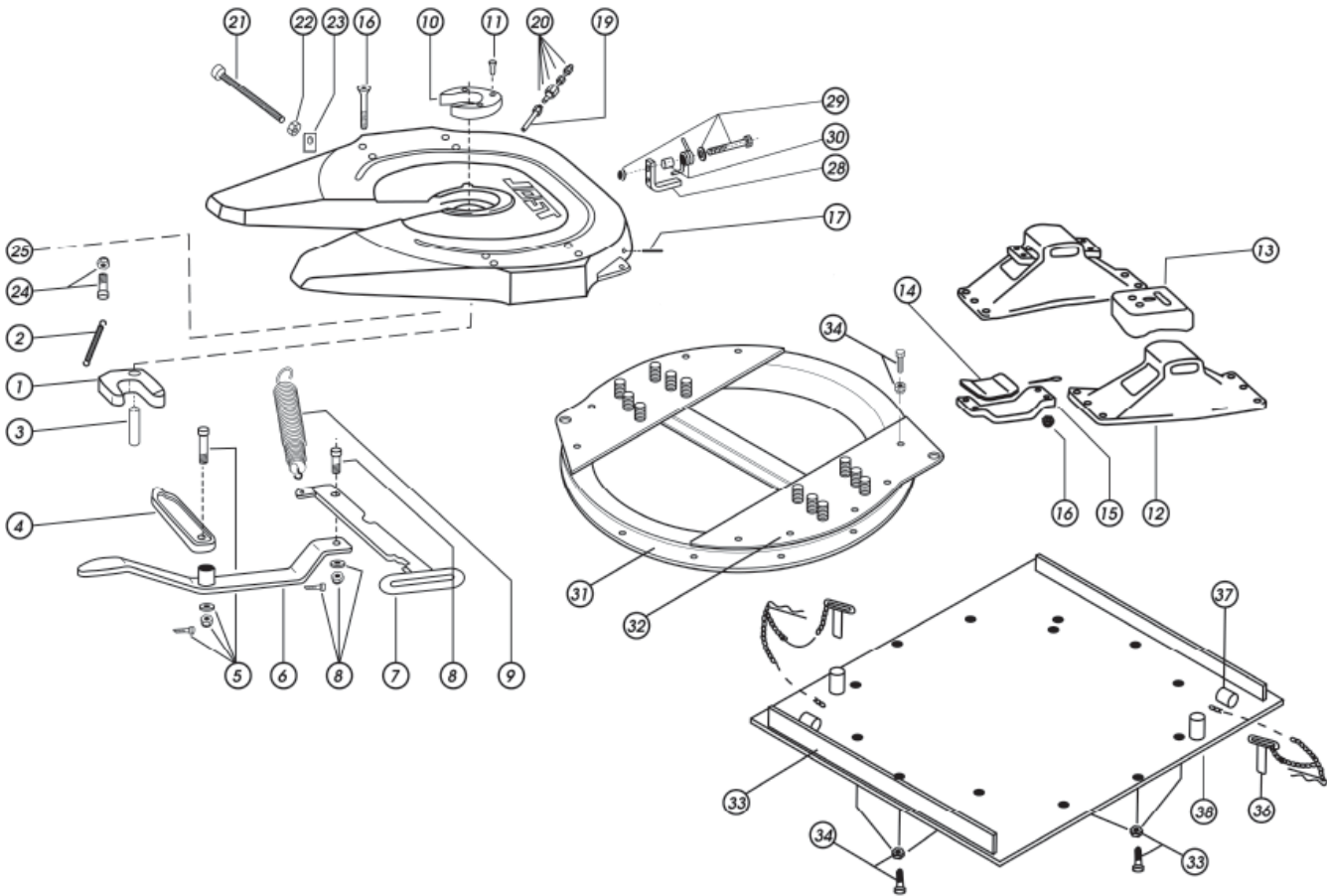
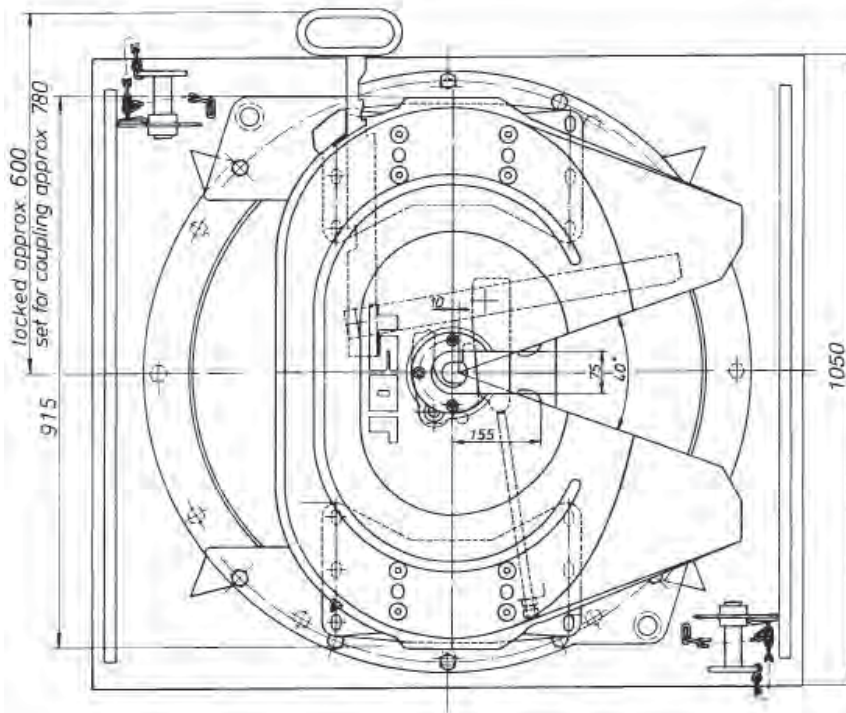
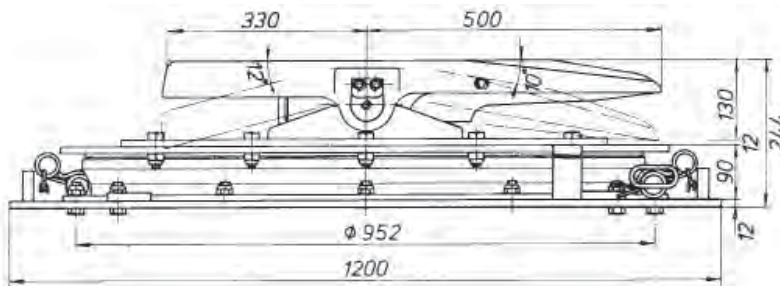


Fig.	Description	Part No SO 37CZ
1	Lock jaw	SK 1489-Z
2	Lock jaw spring	SK 847
3	Pivot for lock jaw, compl.	SK 2106-67
4	Locking bar	SK 3205-06
5	Locking bar bolt compl.	SK 3221-01
6	Lever	SK 3105-18
7	Operating handle	SK 3105-15
8	Head bolt	SK 1513
9	Double tension spring	SK 3105-20
10	Wearing ring	SK 2105-19
11	Socket head bolt	SK 2121-07
12	Pedestal (185mm)	SK 2104-01
	Pedestal (170mm)	SK 2104-21
	Pedestal (150mm)	SK 2104-02
13	Upper rubber cushion	SK 1259
14	Lower rubber cushion	SK 2105-25
15	Mounting bracket	SK 1372
16	Socket head bolt compl.	SK 2121-15
17	Split pin	SK 1974
19	Lubrication fitting	SK 1989
20	Grease nipple compl.	SK 1976
21	Adjusting Screw	SK 3105-05
22	Hexagon nut	SK 2121-78
23	Guide piece	SK 3205-07

Fig.	Description	Part No. SO 37CZ
24	Eye bolt compl.	SK 2122-04
25	Grease nipple	SK 3121-11
28	Spring Latch 1996 onwards	SK 3121-52
29	Bolt for Spring Latch	SK 3521/03
30	Spring for Latch	SK 3121/59
31	Ball bearing	SO1000-24
32	Half moon compl.	SK 3706-40
33a	Base plate (12mm) incl.36,37,38	SK 3706-30
33b	Base plate (16mm) incl.36,37,38	SK 3706-31
33c	Base plate (20mm) incl.36,37,38	SK 3706-32
34	Hex. bolt compl.	SK 3721-04
35	Countersunk bolt compl.	SK 3721-05
36	lock out pin compl.	SK 3705-09
37	Tube park	SK 3706-04
38	Tube lock out	SK 3705-10
Repair Kits		
1,2,3,10,11	Repair kit for locking device	SK 3221-50Z
1,2,3	Repair kit for locking device	SK 3221-52Z
1,2,3,8	Repair kit for locking device	SK 3121-50Z
10,11,		
13,14,16	Repair kit for rubber bearing	SK 2121-69Z
28,29,30	Latch Kit	SK 3121-52 Kit

Type: SO 37 E cast top



Application: Highway Freight
Tipper work

also available with:

16mm Base Plate SO 37 E 16mm
20mm Base Plate SO 37 E 20mm
*Note thicker base plate determines
extra weight

D-Value	162.4kN
Overall height	244 mm
Imposed load	20000 kgs
Gross comb. weight	115000 kgs
Weight approx. (for 12mm base plate)	378 kgs
CRN	24838

Twin lockouts.
Flush bolt heads on mounting
plate in chassis mounting zone.
Wear ring easily removed from
above on JSK 37 E fifth wheel.
Mounting must be carried out in
accordance with our instructions.

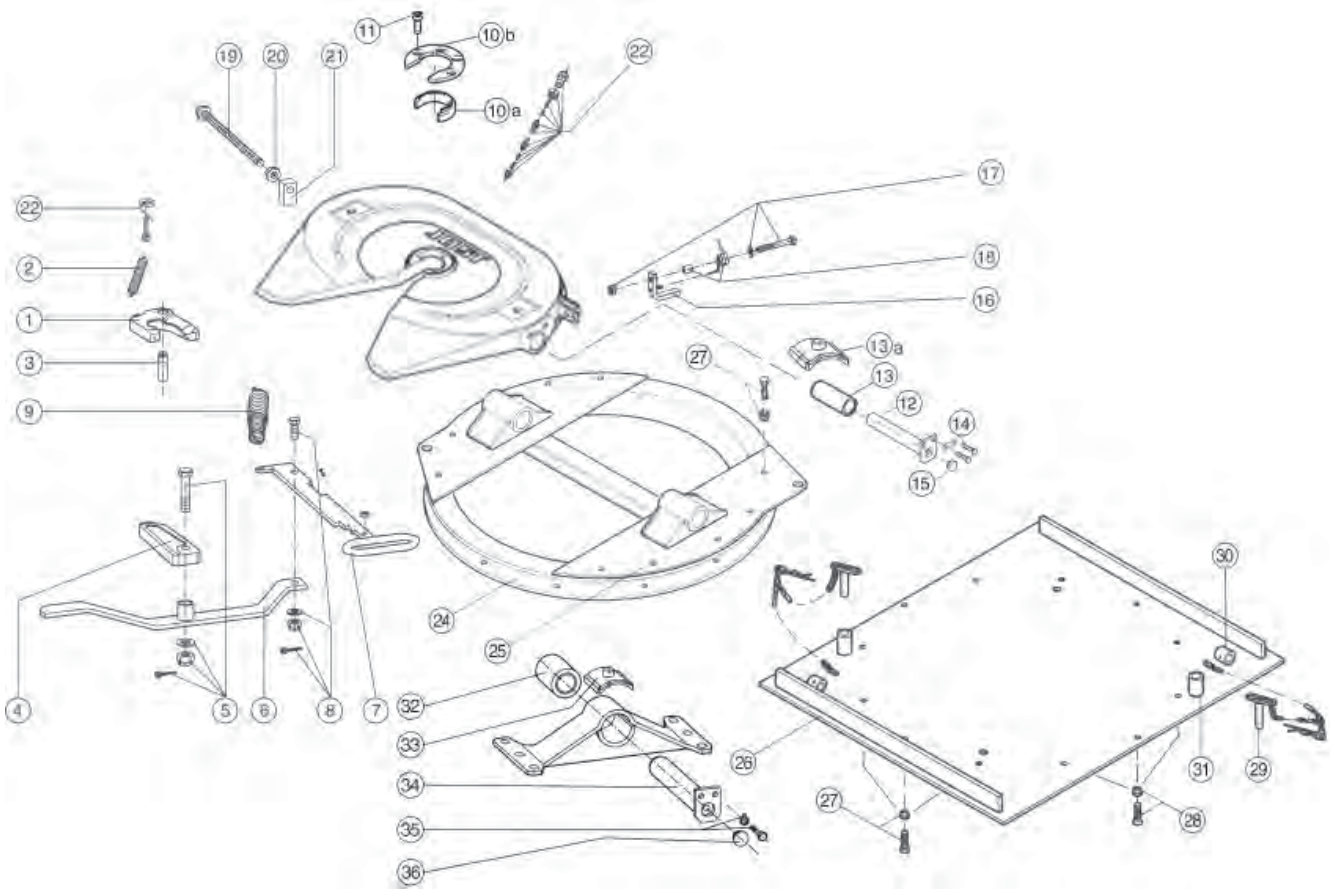
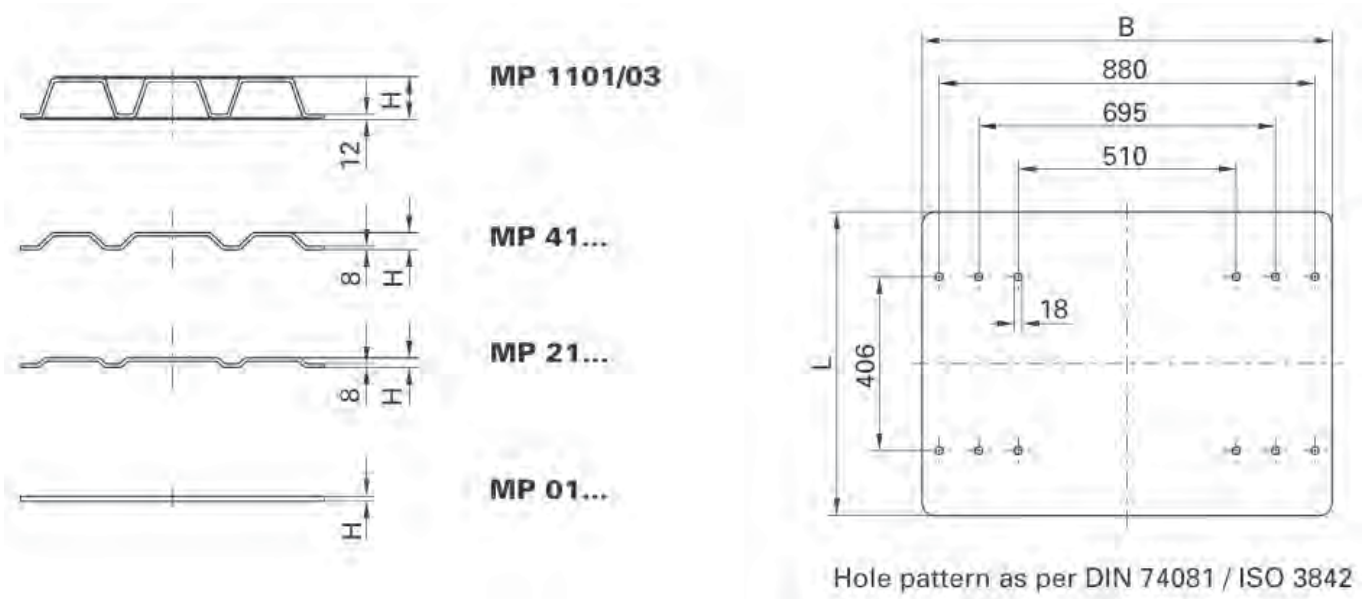


Fig.	Description	Part No. SO 37 E
1	Jaw	SK 1489 Z
2	Jaw Spring	SK 847
3	Jaw Pivot	SK 2106/67
4	Locking Bar	SK 3205/06
5	Lock Bar Bolt	SK 3221/01
6	Release Lever	SK 3105/18
7	Operating Handle	SK 3105/15
8	Head Bolt	SK 1513
9	Double Tension Spring	SK 3105/20
10a	Wear Ring Insert	SK 3105/92
10b	Wear Ring Fixture	SK 2105/19
11	Wear Ring Bolt	SK 2121/07
12	Swivel Pin	SK 3104/05
13	Pedestal Bush	SK 2905-20
13a	Collar	SK 3105/95
14	Swivel Pin Bolt	SK 3121/28
15	Swivel Pin Plug	JS 1101/12
16	Spring Latch	SK 3121/52

Fig.	Description	Part No. SO 37 E
17	Bolt for Spring Latch	SK 3521/03
18	Spring for Latch	SK 3121/59
19	Adjusting Screw	SK 3105/97
20	Hex Nut	SK 2121/78
21	Guide Piece	SK 3205/07
22	Eye Bolt Complete	SK 2122/04
23	Grease Line Complete	SK 3108/02
24	Ball bearing	SO 1000/24
25	Half moon c/w 130mm Ped.	SK 3705-11
26a	Base plate (12mm) incl.56,57,58	SK 3706-30
26b	Base plate (16mm) incl.56,57,58	SK 3706-31
26c	Base plate (20mm) incl.56,57,58	SK 3706-32
27	Hex. bolt compl.	SK 3721-04
28	Countersunk bolt compl.	SK 3721-05
29	Pin, compl.	SK 3721-07
30	Tube park	SK 3706-04
31	Tube lock out	SK 3705-10

Fig.	Repair Kits	Part No
1,2,3	Repair kit for locking device	SK 3221-52 Z
32,33,34,35,36	Repair kit for locking device	SK 3121-061
1,2,3,8,11,10a,22	Repair kit for locking device	SK 3121-060 Z
10a,10b,11	Repair kit for wearing ring	SK 3105-94 Kit
16,17,18	Repair kit for spring latch	SK 3121-52 Kit



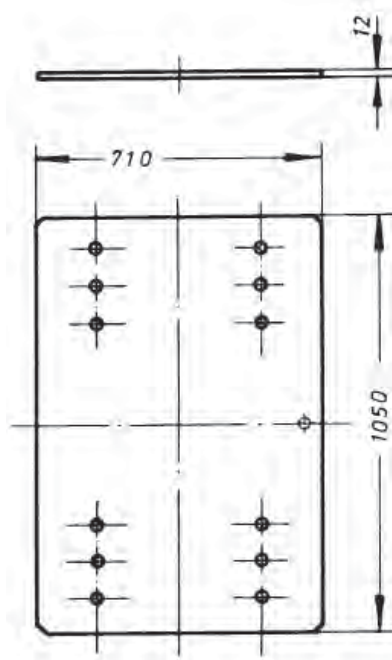
Selection table / Versions available

Order No.	B (mm)	H (mm)	L (mm)	D value (kN)	Imposed load U (t)
MP 0115	1050	12	710	152	20
MP 0118**	1050	16	710	260	20
MP 0119	1050	20	710	260	20
MP 2101	970	22	710	152	20
MP 2103-350	1050	22	710	152	20
MP 4126	1050	40	850	260	20
MP 4111-350**	1050	40	665	190	20
MP 5111-350**	1050	50	710	162.4	20
MP 6503-350	1050	65	710	162.4	20
MP 1101-350	970	100	710	152/108*	20/15*
MP 1103-350	1050	100	710	152/108*	20/15*

Other mounting plates available on request

* 250 & 300mm pedestals only.

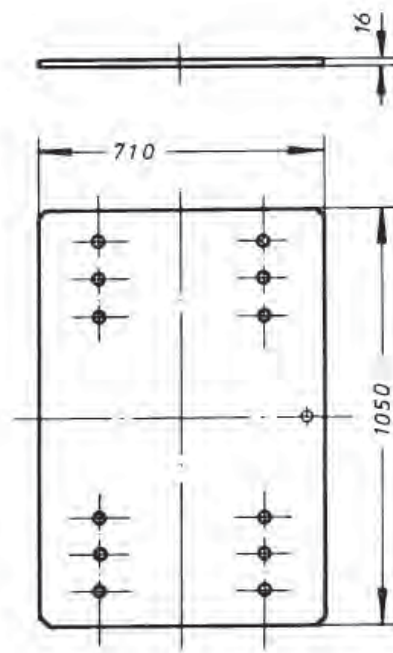
** Available in narrow width chassis



Drilling pattern according to
DIN standard 74081
and ISO 3842

MP 0115

Weight approx. 72kg
D-value 162.4kN



Drilling pattern according to
DIN standard 74084
and ISO 3842

MP 0118

Weight approx. 94kg
D-value 260kN

Options: Narrow width plate
Base Plate to suit JSK 42

Suitable for all fifth wheel couplings
according to DIN 74081 up to a mounting
height of 300 mm pedestals.

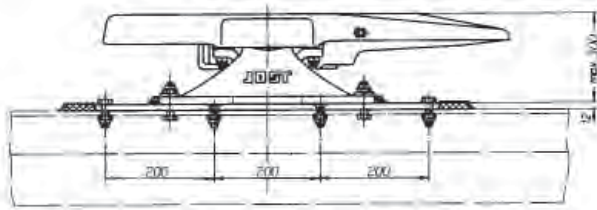
The mounting plates are suitable for all
types of semi-trailers with rear axle steering
systems.

Imposed load (12mm)	20000 kgs
Imposed load (16mm)	36000 kgs

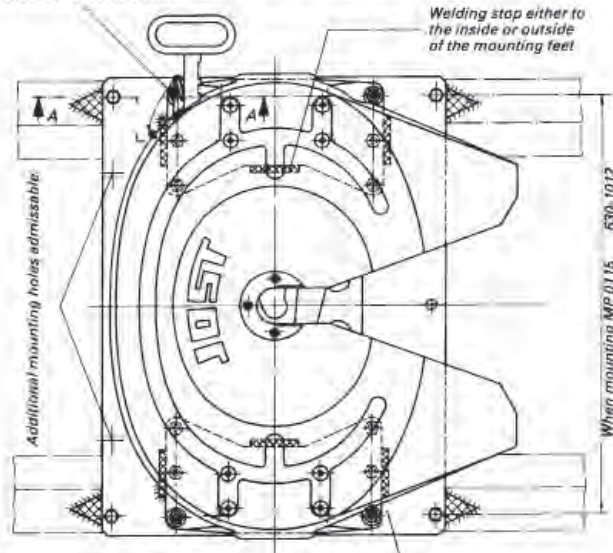
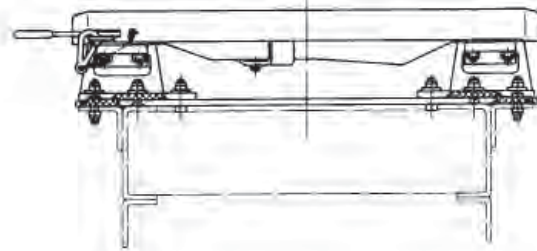
*Note: Shear stops **MUST** be welded to
the front, rear and outside of pedestal feet.
(Refer to mounting example)

The right to alter specifications is reserved.

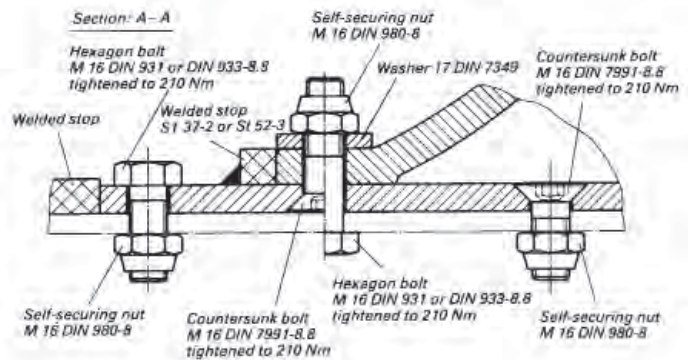
8/08



For fifth wheels with 150 mm height, self locking nuts M 20 DIN 980-8 should be used and the bolts must be cut to minimal length, if mounted with head turned downside.



The mounting plates must be adequately supported in the area of the pedestals, i.e. by the chassis frame or auxiliary frame or by transversal bracings.



welding process:	E II	
filler material:	E 4320 B9 DIN 1913	
alternative welding process:	MAG C	
alternative welding process:	Griduct S-V5 green, resp. Griduct S-V4 red	} (Messer)
or	K 5, resp. K 52, resp. K 56 (Westf. Union)	
or	E MK 7, resp. E Mk 6 (Bohler)	

Mounting instructions

When mounting the fifth wheels according to DIN standard 74081 onto a JOST mounting plate, use 8 bolts M 16 preferably M 16 x 1,5 of at least grade 8.8 symmetrically positioned to the longitudinal and transversal axis of the fifth wheel.

To fix the mounting plate on the vehicle chassis at least 4 resp. 6 bolts M 16, preferably M 16 x 1,5 or 4 x M 20, preferably M 20 x 1,5 are required on each side and row, grade at least 8.8.

To ease the shear load on the mounting bolts, stop blocks should be welded to both sides of the pedestals and the front and rear of the mounting plate.

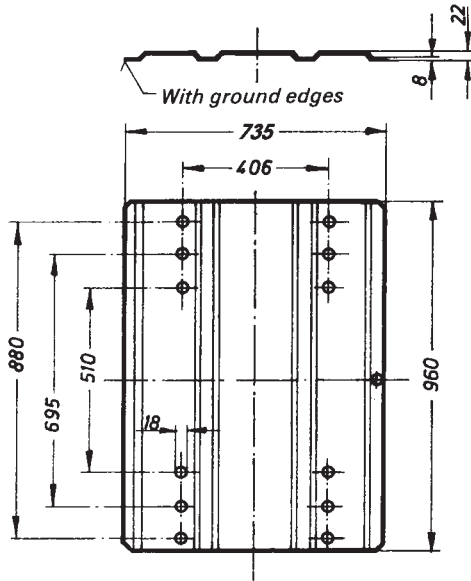
The fifth wheel plate must be able to move freely and must touch neither the mounting plate nor the chassis or subframe.

The mounting instruction of the truck manufacturers and - if applicable - existing legal regulations must be adhered to. The bolts must be checked for tightness.

JOST 'Mounting instructions for 2" fifth wheel couplings' must be strictly adhered to.

Fit fifth wheel in accordance to AS/NZS 4968.2:2003 "Installation of fifth wheel and turntable assemblies"

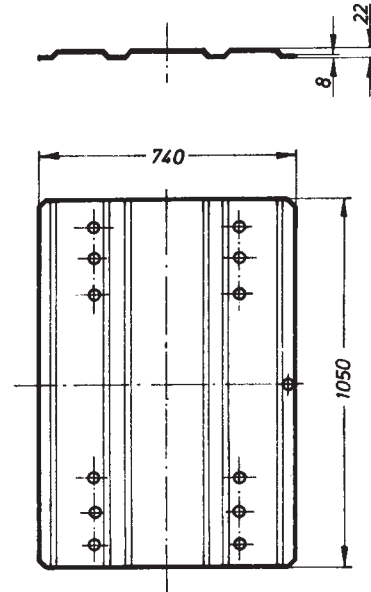
The right to alter specifications is reserved.



Drilling pattern according
to
DIN standard 74081
and ISO 3842

MP 2101

Weight approx. 44kg



Drilling pattern according
to DIN standard 74081
and ISO 3842

MP 2103/350

Weight approx. 48kg

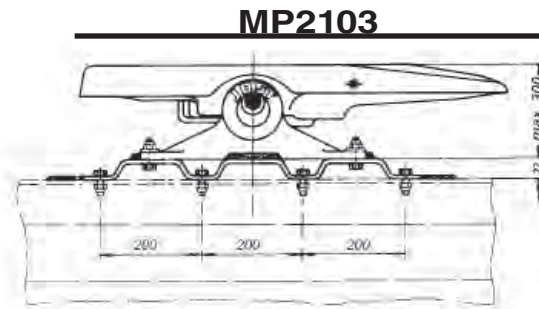
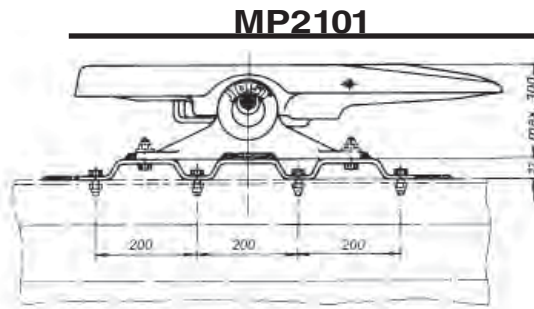
Suitable for all fifth wheel couplings
according to DIN 74081 up to a mounting
height of 300 mm.

The mounting plates are suitable for all
types of semi-trailers with rear axle steering
systems.

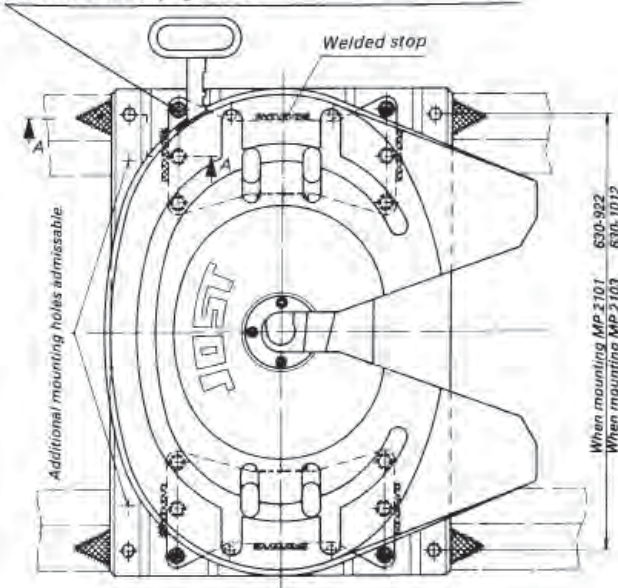
Imposed load	20000 kgs
D-Value	162.4kN

***Note: shear stops MUST be welded to
the front, rear and outside of pedestal feet.
(Refer to mounting example)**

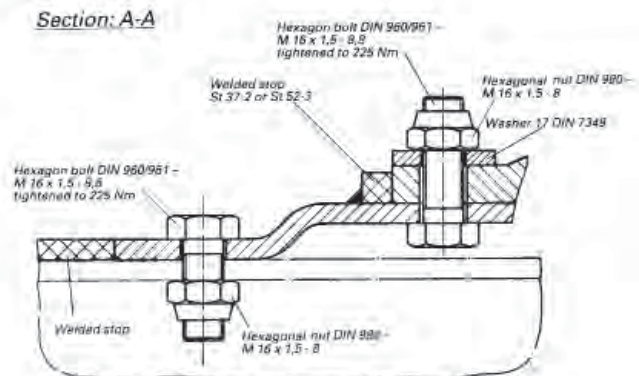
On special request mounting plates with special dimensions and special frame drilling patterns are available.
The right to alter specifications is reserved.



When mounting a fifth wheel coupling with mounting height 150 mm this bolt must be fitted, so that the bolt head is on top if at all possible. When mounting it the opposite way, the safety nut M 16 x 1,5, DIN 980-8 is to be used and the bolt must be shortened to the minimum length. It must be ensured that the bolt is correctly tightened.



Section: A-A



welding process: E II
 filler material: E 4320 B9 DIN 1913
 alternative welding process: MAG C
 alternative welding process: Griduct S-V5 green, resp. Griduct S-V4 red } (Messer)
 or K 5, resp. K 52, resp. K 56 (Westf. Union)
 or E MK 7, resp. E Mk 6 (Bohler)

Mounting instructions

When mounting the fifth wheel coupling according to DIN 74081 on to a mounting plate at least 8 bolts M 16, preferably M 16 x 1,5 grade at least 8.8 symmetrically positioned to the longitudinal and transversal axis of the fifth wheel must be used. Quantity of bolts required according to chart opposite.

To fix the mounting plate on to the vehicle chassis at least 4 resp. 6 bolts M 16, preferably M 16 x 1,5 or 4 x M20, preferably M 20 x 1,5 are required on each side and row, grade at least 8.8.

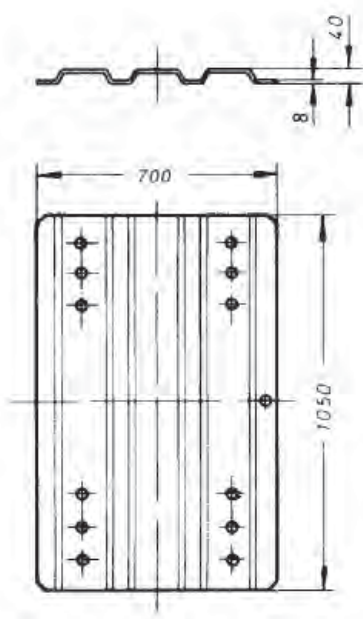
To ease the shear load on the mounting bolts stop blocks should be welded to both sides of the pedestals and to the front and rear of the mounting plate.

The fifth wheel plate must be able to move freely and must not touch the mounting plate or the chassis or subframe.

The mounting instructions of the truck manufacturers and - if applicable - existing legal regulations must be adhered to. The bolts must be checked for tightness.

Fit fifth wheel in accordance to AS/NZS 4968.2:2003 "Installation of fifth wheel and turntable assemblies". The right to alter specifications is reserved.

Mounting height of fifth wheel		
Coupl.	Max.mm	250 300
D-value	kN	Max.162.4 max. 133
Bolt quantity		8
		according to DIN standard 74081

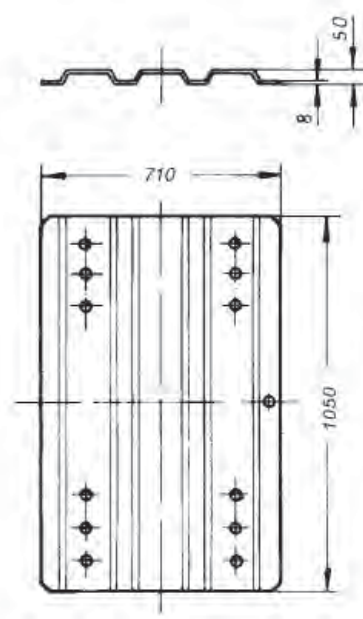


Drilling pattern according to
DIN standard 74081
and ISO 3842

MP 4111/350

Weight approx. 48kg

D-Value 190kN



Drilling pattern according to
DIN standard 74081
and ISO 3842

MP 5111/350

Weight approx. 57kg

D-Value 162.4kN

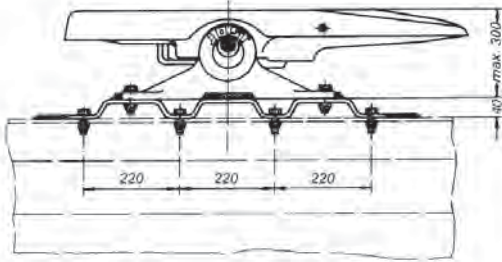
Options: Narrow width plate available

**Suitable for all fifth wheel couplings
according to DIN 74081 up to a
mounting height of 300 mm.**

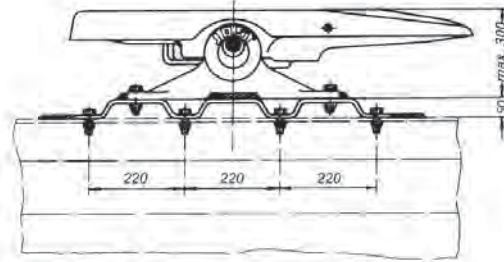
**The mounting plates are suitable for
all types of semi-trailers with rear
axle steering systems.**

The right to alter specifications is reserved.

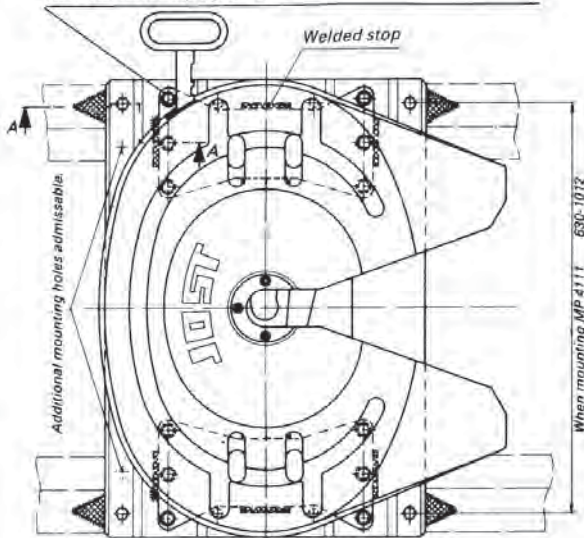
MP 4111/350



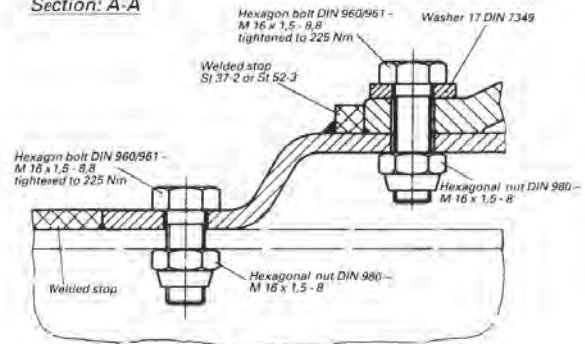
MP 5111/350



When mounting a fifth wheel coupling with mounting height 150 mm this bolt must be fitted, so that the bolt head is on top if at all possible. When mounting it the opposite way, the safety nut M 16 x 1,5, DIN 980-8 is to be used and the bolt must be shortened to the minimum length. It must be ensured that the bolt is correctly tightened.



Section: A-A



- welding process: E II
- filler material: E 4320 B9 DIN 1913
- alternative welding process: MAG C
- alternative welding process: Griduct S-V5 green, resp. Griduct S-V4 red } (Messer)
- or K 5, resp. K 52, resp. K 56 (Westf. Union)
- or E MK 7, resp. E Mk 6 (Bohler)

Mounting instructions

When mounting the fifth wheel coupling according to DIN 74081 on to a mounting plate at least 8 bolts M 16, preferably M 16 x 1,5 grade at least 8.8 symmetrically positioned to the longitudinal and transversal axis of the fifth wheel must be used. Quantity of bolts required according to chart opposite.

To fix the mounting plate on to the vehicle chassis at least 4 resp. 6 bolts M 16, preferably M 16 x 1,5 or 4 x M20, preferably M 20 x 1,5 are required on each side and row, grade at least 8.8.

To ease the shear load on the mounting bolts stop blocks should be welded to both sides of the pedestals and to the front and rear of the mounting plate.

The fifth wheel plate must be able to move freely and must not touch the mounting plate or the chassis or subframe.

The mounting instructions of the truck manufacturers and - if applicable - existing legal regulations must be adhered to. The bolts must be checked for tightness.

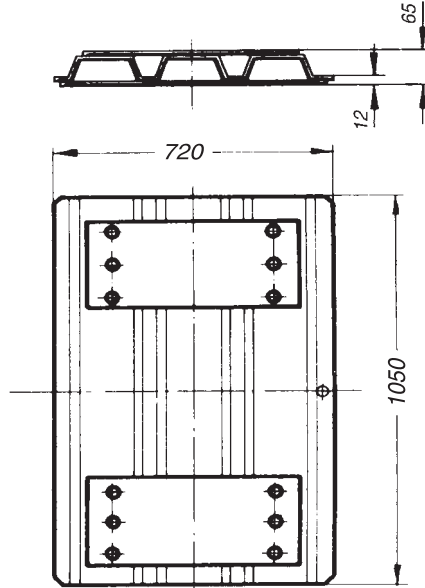
The JOST mounting instructions for 2" fifth wheels must be adhered to.

Fit fifth wheel in accordance to AS/NZS 4968.2:2003 "Installation of fifth wheel and turntable assemblies"

Mounting height of fifth wheel		
Coupl.	Max.mm	250 300
D-value	kN	190 max. 162.4
Bolt quantity		8

according to DIN standard 74081

The right to alter specifications is reserved.



Mounting hole pattern
corresponds
to DIN standard 74081

MP 6503/350

Weight approx. 78kg

The mounting plates are suitable for all types of semi-trailers with rear axle steering systems.

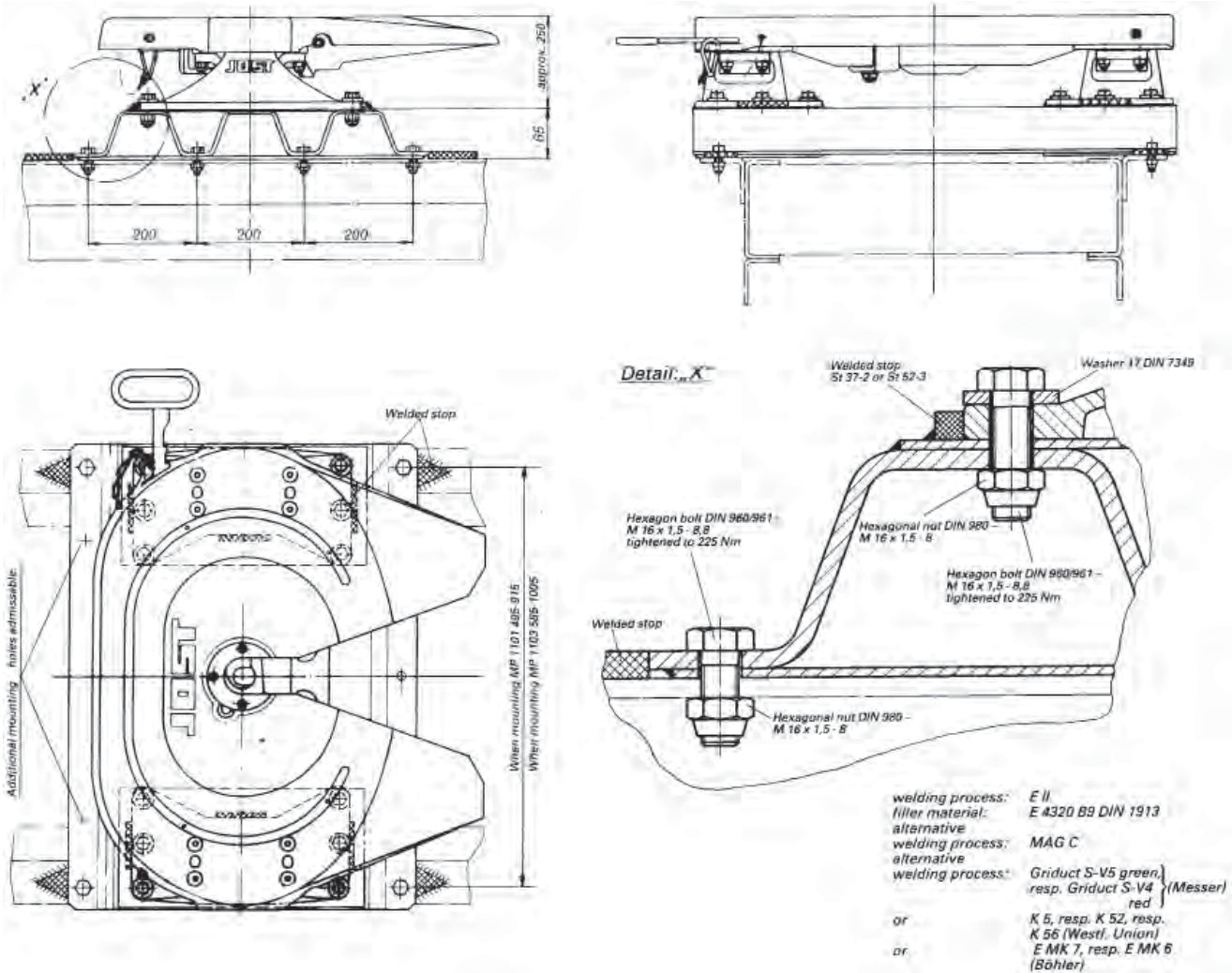
Imposed load	20,000 kg
D-value	162.4 kN

For fifth wheel couplings with mounting heights between 200 mm and 250 mm the following loads apply:

Imposed load	15 000 kg
D-value	108 kN

The right to alter specifications is reserved.

8/08



Mounting instructions

When mounting a fifth wheel coupling according to DIN 74081 on to a mounting plate at least 8 bolts M 16, preferably M 16 x 1.5 grade at least 8.8 symmetrically positioned to the longitudinal and transversal axis of the fifth wheel must be used.

To fix the mounting plate on to the vehicle chassis at least 4 resp. 6 bolts M 16, preferably M 16 x 1.5 or 4x M 20, preferably M 20 x 1.5 are required on each side and row, grade at least 8.8.

To ease the shear load on the mounting bolts stop blocks should be welded to both sides of the pedestals and to the front and rear of the mounting plate.

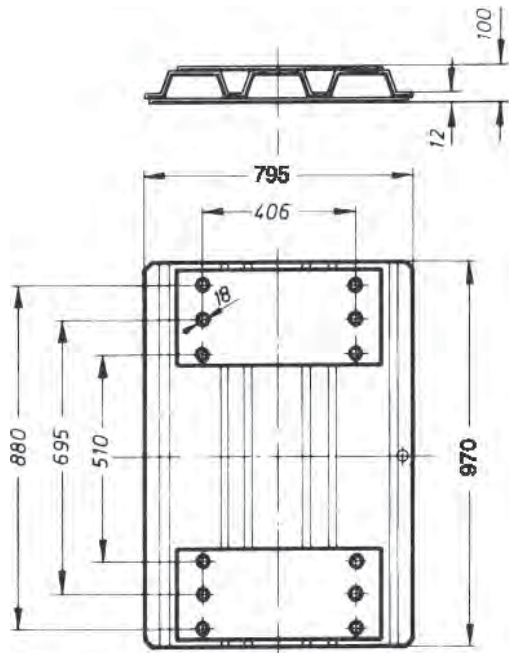
The fifth wheel plate must be able to move freely and must touch neither the mounting plate nor the chassis or subframe.

The mounting instructions of the truck manufacturers and - if applicable - existing legal regulations must be adhered to. The bolts must be checked for tightness.

The JOST mounting instructions for 2" fifth wheels must be adhered to.

Fit fifth wheel in accordance to AS/NZS 4968.2:2003 "Installation of fifth wheel and turntable assemblies"

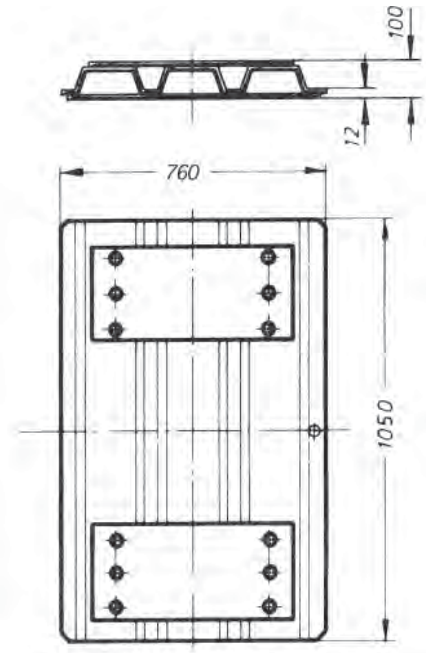
The right to alter specifications is reserved.



Mounting hole pattern
corresponds to DIN standard
74081
and ISO 3842

MP 1101/350

Weight approx. 79kg



Mounting hole pattern
corresponds to DIN standard
74081
and ISO 3842

MP 1103/350

Weight approx. 85kg

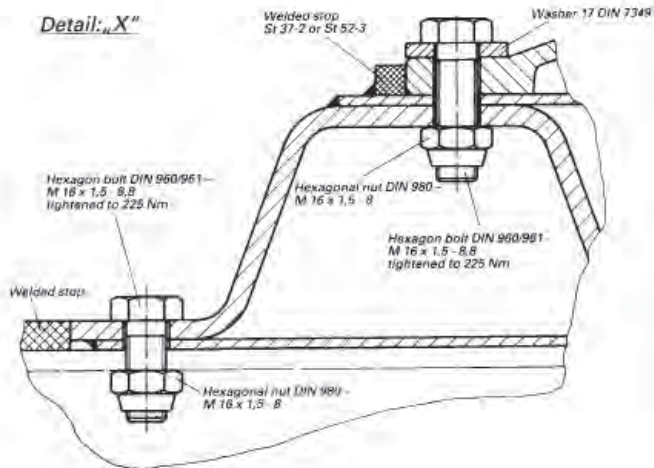
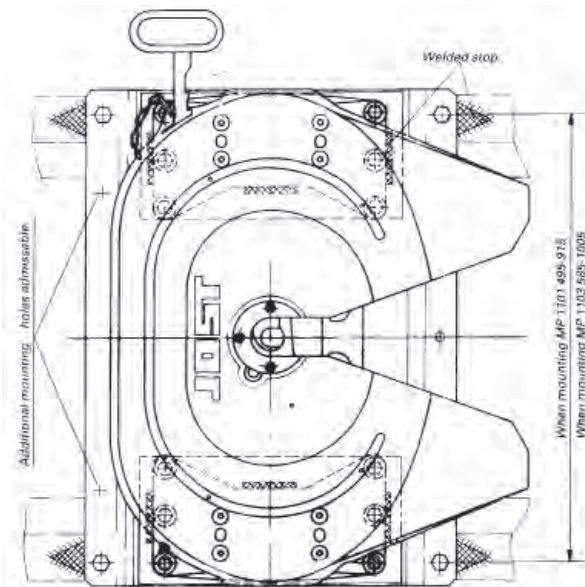
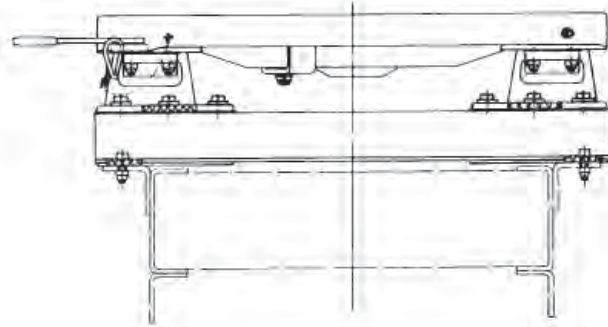
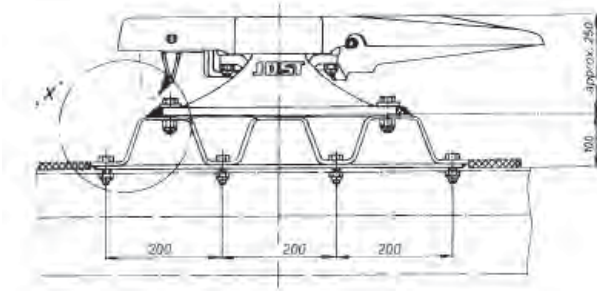
The mounting plates are suitable for all types of semi-trailers with rear axle steering systems.

Imposed load 20000 kgs
D-Value 162.4 kN

For fifth wheel couplings with mounting heights between 200 mm and 250 mm the following loads apply:

Imposed load 15000 kg
D-value 108 kN

On special request mounting plates with special dimensions and special frame drilling patterns are available.
The right to alter specifications is reserved.



welding process: E II
 filler material: E 4320 B9 DIN 1913
 alternative welding process: MAG C
 alternative welding process: Griduct S-V5 green, resp. Griduct S-V4 red } (Messer)
 or K 5, resp. K 52, resp. K 56 (Westf. Union)
 or E MK 7, resp. E Mk 6 (Bohler)

Mounting instructions

When mounting a fifth wheel coupling according to DIN 74081 on to a mounting plate at least 8 bolts M 16, preferably M 16 x 1,5 grade at least 8.8 symmetrically positioned to the longitudinal and transversal axis of the fifth wheel must be used.

To fix the mounting plate on to the vehicle chassis at least 4 resp. 6 bolts M 16, preferably M 16 x 1,5 or 4 x M 20, preferably M 20 x 1,5 are required on each side and row, grade at least 8.8.

To ease the shear load on the mounting bolts stop blocks should be welded to both sides of the pedestals and to the front and rear of the mounting plate.

The fifth wheel plate must be able to move freely and must not touch the mounting plate or the chassis or subframe.

The mounting instructions of the truck manufacturers and - if applicable - existing legal regulations must be adhered to. The bolts must be checked for tightness.

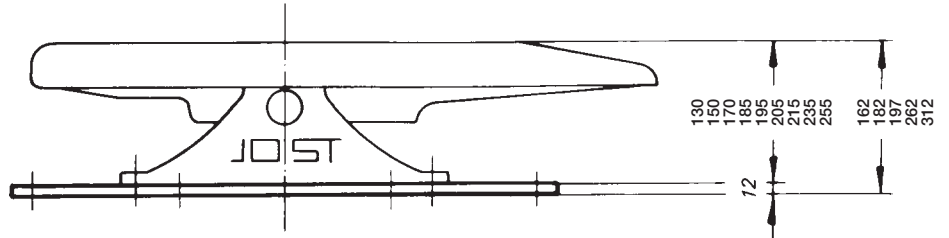
Fit fifth wheel in accordance to AS/NZS 4968.2:2003 "Installation of fifth wheel and turntable assemblies"

The right to alter specifications is reserved.

8/08

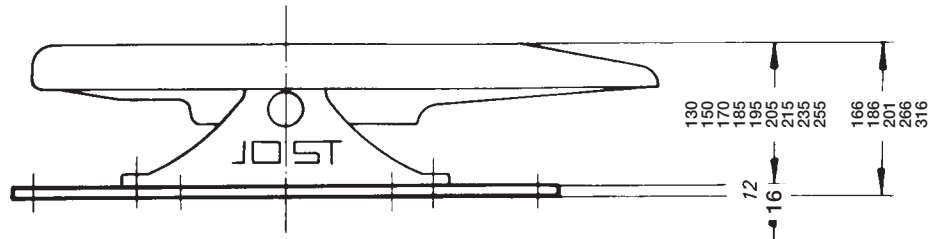
Type MP 0115

Imposed load 20000 kg
D-value 162.4 kN



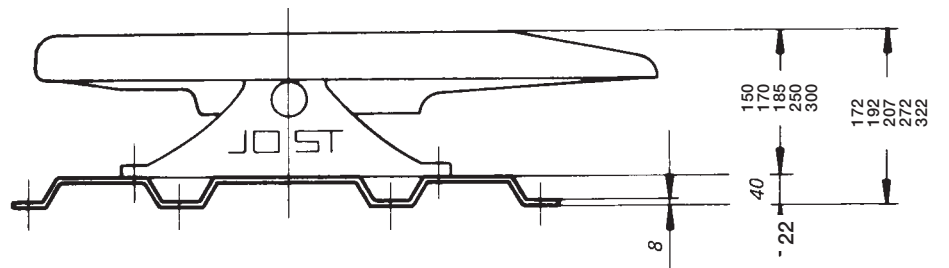
Type MP 0118

Imposed load 36000 kg
D-value 260 kN



Type MP 2101/2103/350

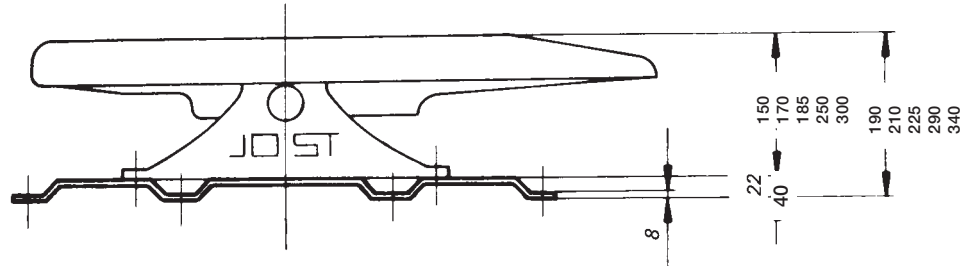
Imposed load 20000 kg
D-value 162.4 kN



The right to alter specifications is reserved

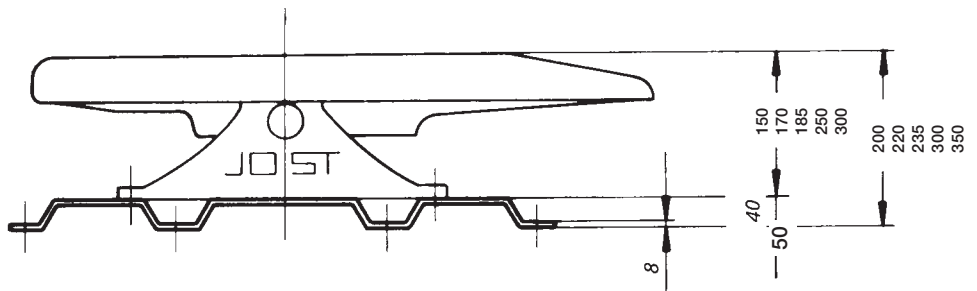
Type MP 4111/350

Imposed load 20000 kg
D-value 190 kN



Type MP 5111/350

Imposed load 20000 kg
D-value 162.4 kN

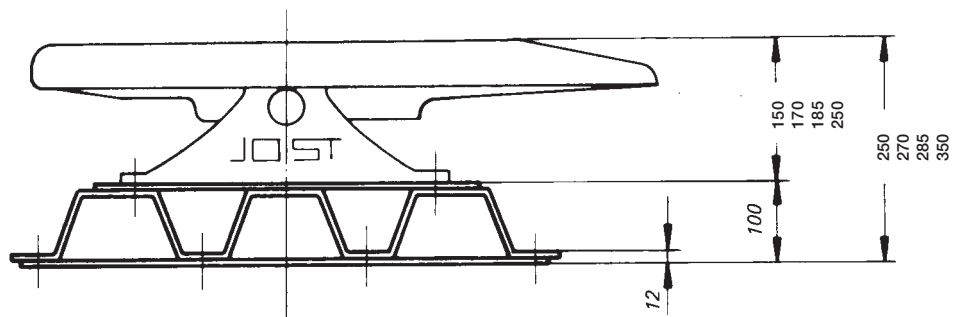


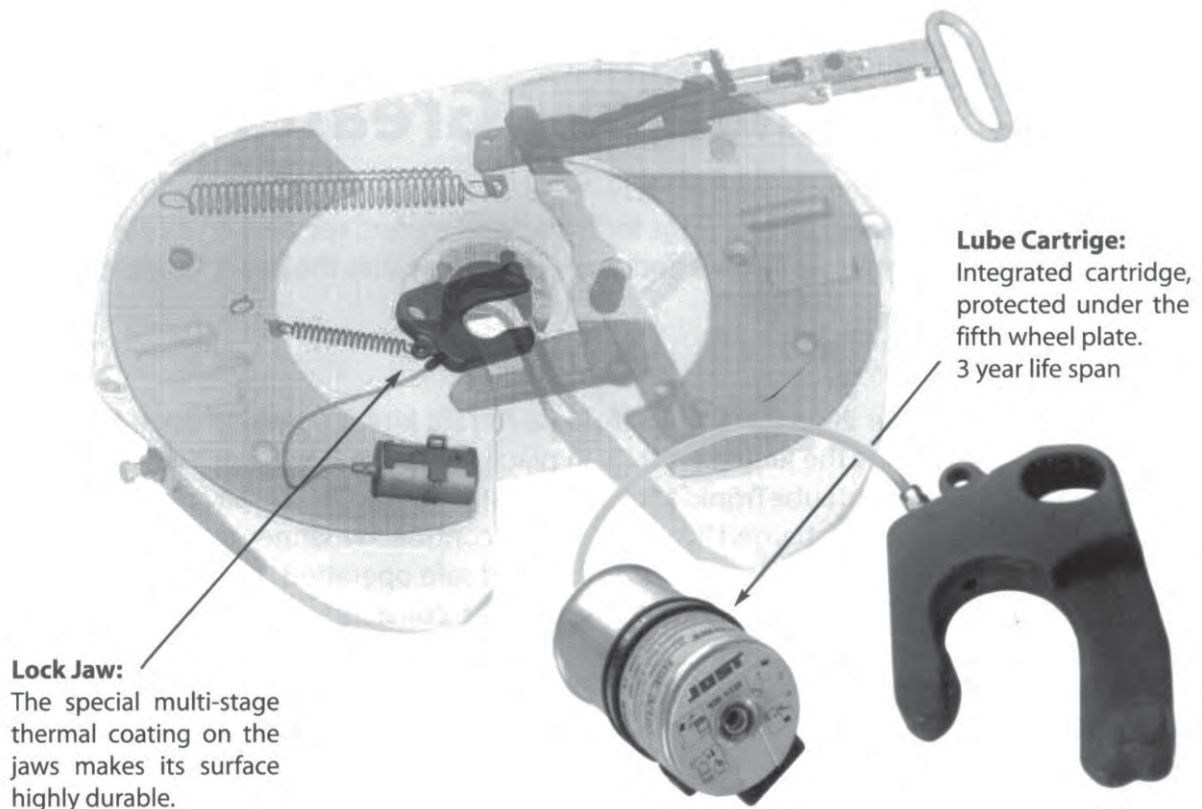
Type MP 1101/1103

Imposed load 20000 kg
D-value

For fifth wheel couplings
250 mm mounting height.

Imposed load 15000 kg
D-value 108 kN





Lock Jaw:
The special multi-stage thermal coating on the jaws makes its surface highly durable.

Lube Cartridge:
Integrated cartridge, protected under the fifth wheel plate.
3 year life span

Lubrication of the wheel coupling Guaranteed safe and automatic for 3 years

JOST, the market leader in the area of couplings for trucks and trailers, remains on its innovative course. The new development LubeTronic saves time and money and simplifies the day-to-day life of drivers and freight forwarding companies.

Always lubricates safely

- The special coating on the lock jaw makes the surface extremely durable. This allows the lock jaw to be operated with a minimal amount of lubricant.
- Excellent emergency running properties allow the coating to handle short-term operating even without lubricant.
- Outstanding lubricant qualities thanks to novel lubricants from high-performance grease and continuous lubrication.
- Temperature range: -20°C to +70°C
- Electronic dose dispensing reduces both costs and environmental impact
- Completely sealed and immersion tested (IP 68)

Simple maintenance

- LubeTronic is easy to mount
- Self-regulating system with electronic monitoring signal on the cartridge
- Guaranteed 3 year life span
- Maintenance time savings
- Potential upgrading of all low-maintenance couplings
- Very light and compact
- With shockproof metal bracket
- Not recommended for usage in the construction industry
- Repair kit (complete) with cartridge:
Order No. SKE004070000

Less Maintenance - Greater Safety

JOST, the market leader in the area of couplings for trucks and trailers, remains on its innovative course. The new development LubeTronic saves time and money and simplifies the day-to-day life of drivers and freight forwarding companies.

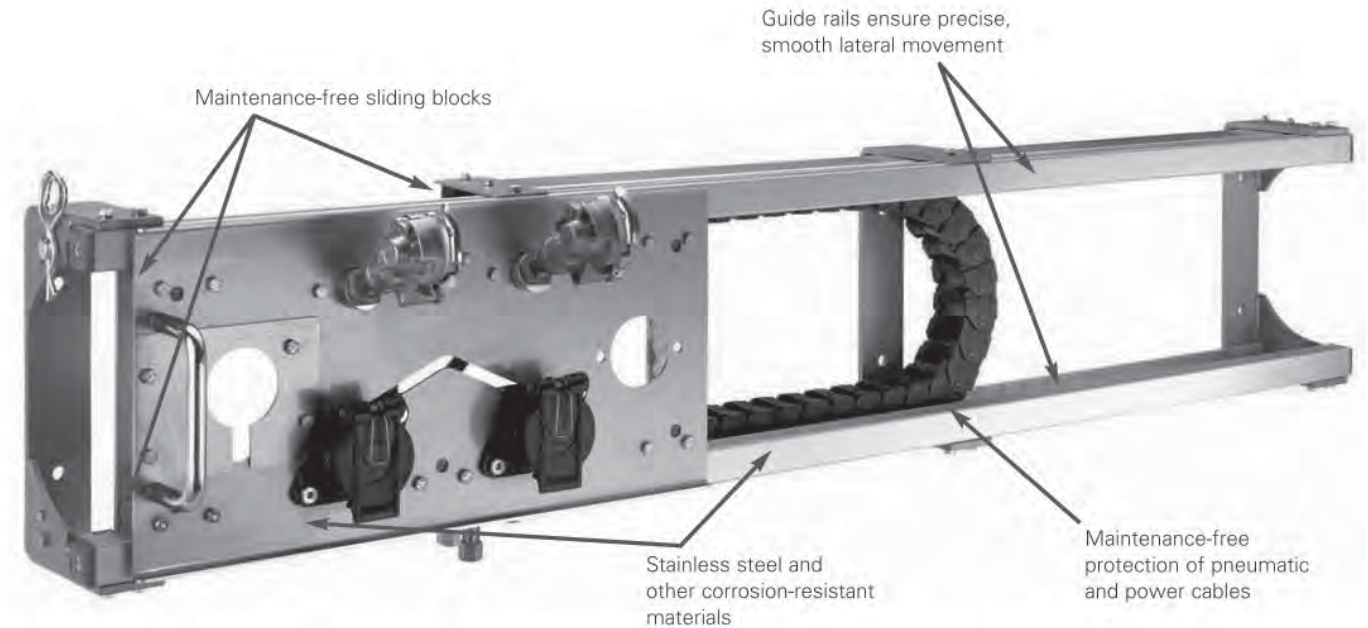
The first product innovation for 2005 is the LubeTronic, a retrofit kit for a maintenance-free fifth wheel. The lock of the fifth wheel holds the king pin firmly in place; it used to be one of the last maintenance-intensive elements in the system. LubeTronic allows this system to run practically maintenance-free for three whole years. The grease is discharged in an electronically controlled manner; the lock and king pin are always optimally lubricated. JOST guarantees automatic and safe operation of the LubeTronic for three years. The lubrication cartridges discharge its lubricant in a constant, uniform manner over a wide temperature range from -20 to +70 degrees Celsius and the entire system has been underwater-tested according to IP 68.

Simple Assembly - Significant Action

The LubeTronic retrofit kit includes a specially coated lock, which, together with the electronically regulated lubrication cartridge, is a system patented by JOST. The coating makes the surface of the lock particularly resistive and durable, so that even minimal quantities of the lubricating grease are sufficient. This is efficient and eco-friendly at the same time. The coating is so efficient that it even allows running without lubricant for short periods, although this is not recommended!

The lock holds the king pin and with it, the entire support system, coupled firmly with the traction engine. So far, regular lubrication by hand or by means of an expensive central lubrication was required, because the lock and king pin wear quickly without lubrication and have to be replaced. The traditional lubrication aids - which are mostly lubricating cartridges operated with overpressure - discharge grease smoothly and uniformly only within a narrow temperature range. All the maintenance procedures for the fifth wheel, which are not only uncomfortable and time-consuming, but above all, relevant for safety, are rendered redundant by LubeTronic.

LubeTronic will be available from Jost Australia Pty Ltd from June 2005 onwards. Simultaneously, a lock retrofit kit will also be made available. Retrofitting, involving simple assembly, is possible on all maintenance-free fifth wheels (JOST W models). With LubeTronic, the entire couplings runs with optimum lubrication.

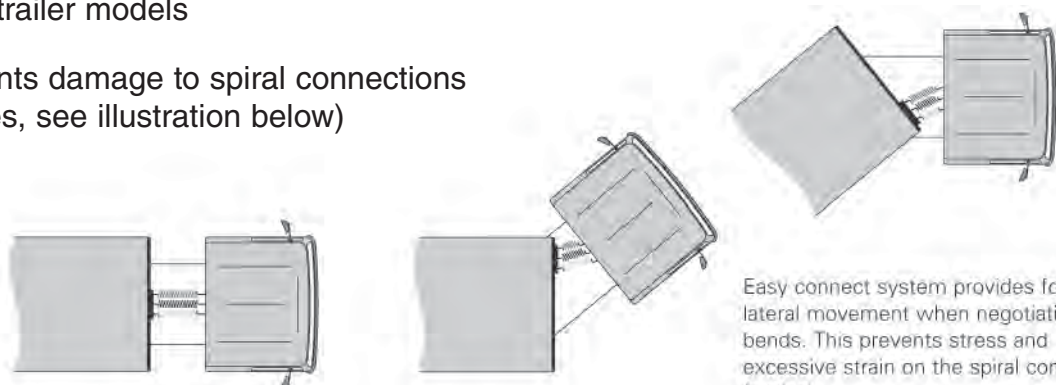


Fast, simple, secure

Coupling and uncoupling without the need to raise or lower the unit

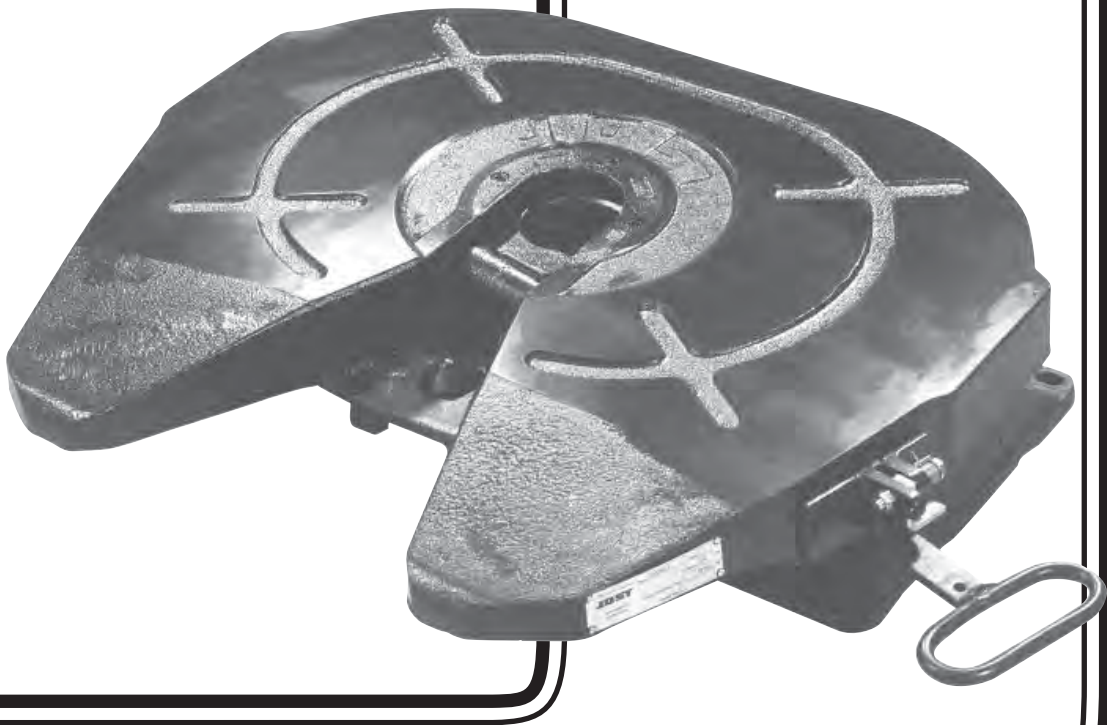
- Fast and easy attachment and disconnection of pneumatic and power cables.
- Access from side of vehicle to alleviate OH & S issues
- Easy Connect is universal and directly fits most trailer models
- Prevents damage to spiral connections (suzies, see illustration below)

Part No: SKE 0105000000



Easy connect system provides for lateral movement when negotiating bends. This prevents stress and excessive strain on the spiral connections (suzies).

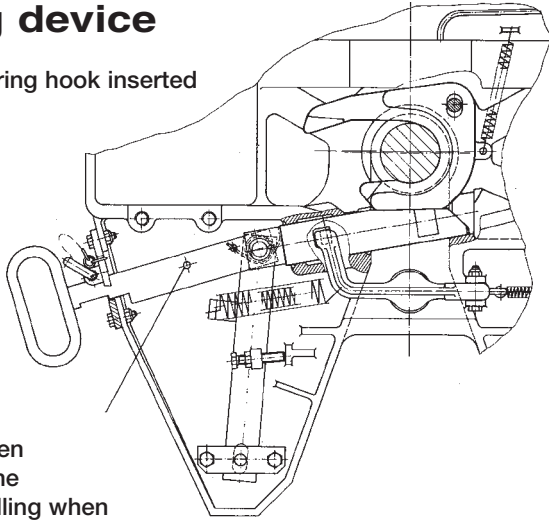
JOYT



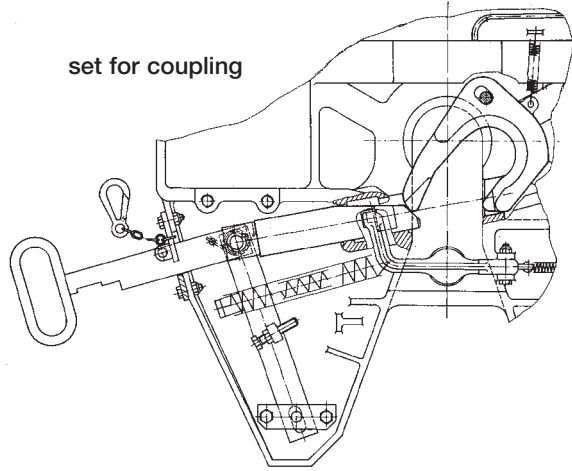
**Heavy duty fifth wheel
couplings
3½" and 2"**

Locking device

locked with spring hook inserted

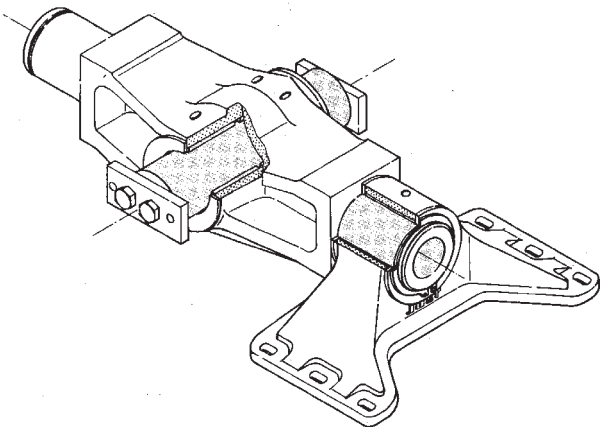


set for coupling



hole to use when locking open the operating handling when exchanging lock jaw

type of mounting

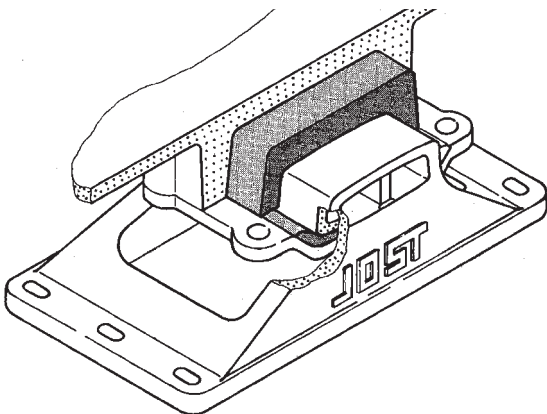


JSK 38 G and JSK 38 G cardan mounting

wear resistant bushes

lateral movement up to a max. of 7° for off road operation.

lateral movement can be limited to approx. 0° for highway operation.

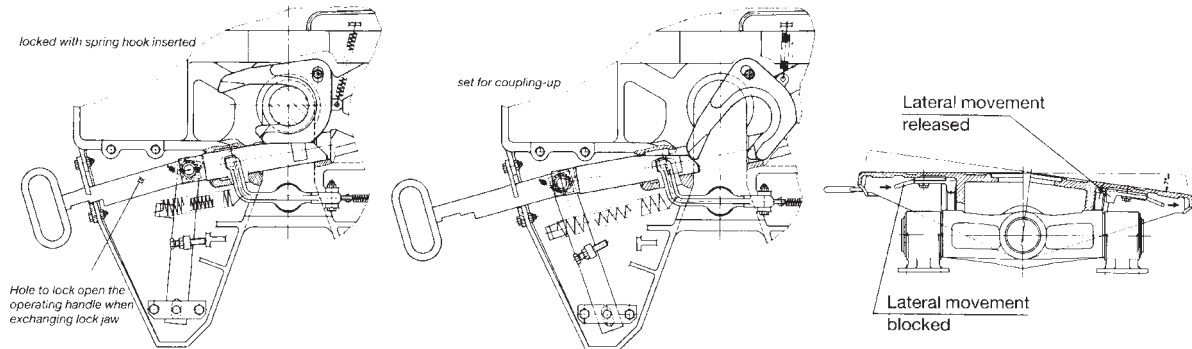


JSK 38 C JSK 38 C rubber mounting

shock absorbing by large rubber pads
slack and maintenance free

Oil and grease resistant

for JOST fifth wheel couplings types JSK 38 C, JSK 38 G and JSK 50



Operating instructions

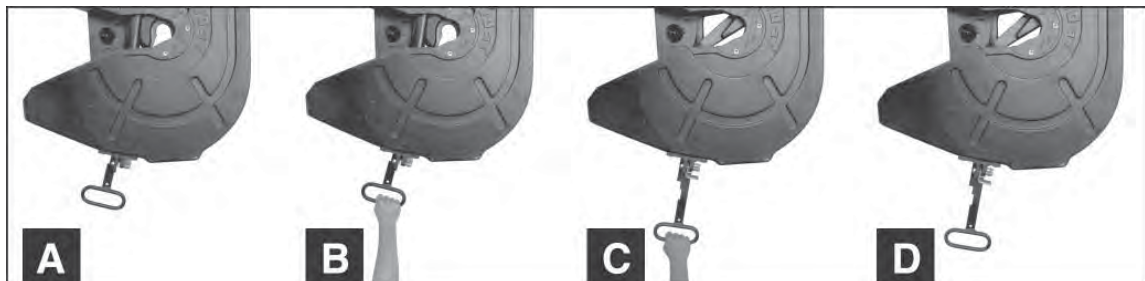
The outfit should be parked on a flat and even road surface.

Coupling-up:

1. The fifth wheel must be in the reset position, i.e. the end of the operating handle standing out approx. 300 mm otherwise: Raise lock catch (A) and move handle forward to unlock (B). Pull handle to end position (C).
2. Skid plate of semi trailer should be approx. 50 mm lower than the top of the fifth wheel.
IMPORTANT: Loss of pressure in the air suspension of the trailer can alter the height of the king pin.
3. Reverse tractor - the mechanism locks automatically.
4. Check that the skid plate is resting on the fifth wheel plate with no gap between the two.
5. Ensure lock catch is engaged.
IMPORTANT: The lock catch in the secured position ensure locking mechanism is closed. If lock catch is in raised position, the coupling-up procedure must be repeated.

Un-coupling:

1. Raise lock catch (A). Move handle forward to unlock (B). Pull handle to end position (C).
2. drive tractor away. The fifth wheel mechanism will automatically assume the coupling-up position (D).



Lateral movement on type JSK 38 G and JSK 38 G-1

The lateral movement should only be release for off-road use. On the road, and especially at higher speeds, it must be blocked for safety reasons.

To set the lateral movement:

For normal road Use:

1. Release the hex bolts (2 each side - width over flats 19 mm).
2. Push **both** blocks **into** the end of the oblong hole.
3. Re-tighten hex bolts (torque 80 Nm).

For off-road use:

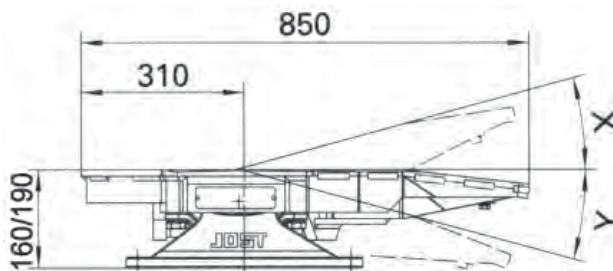
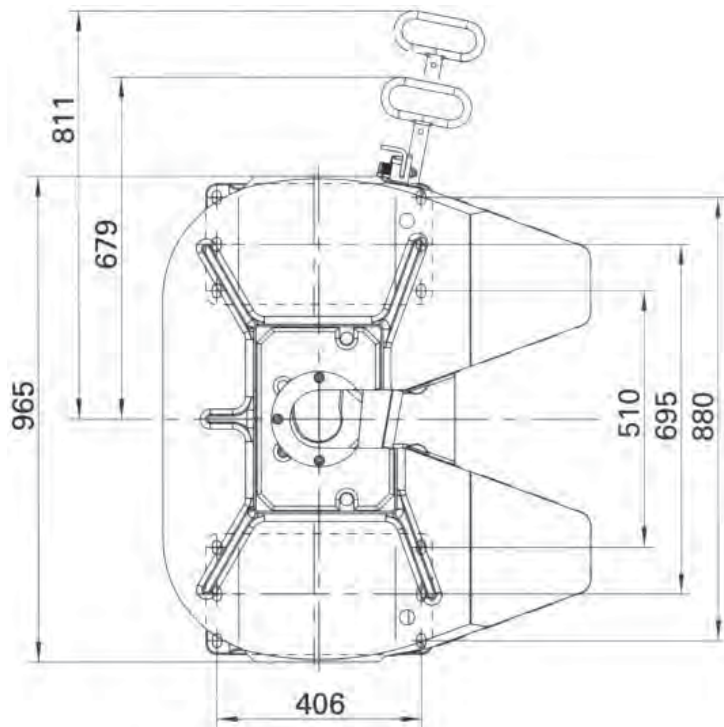
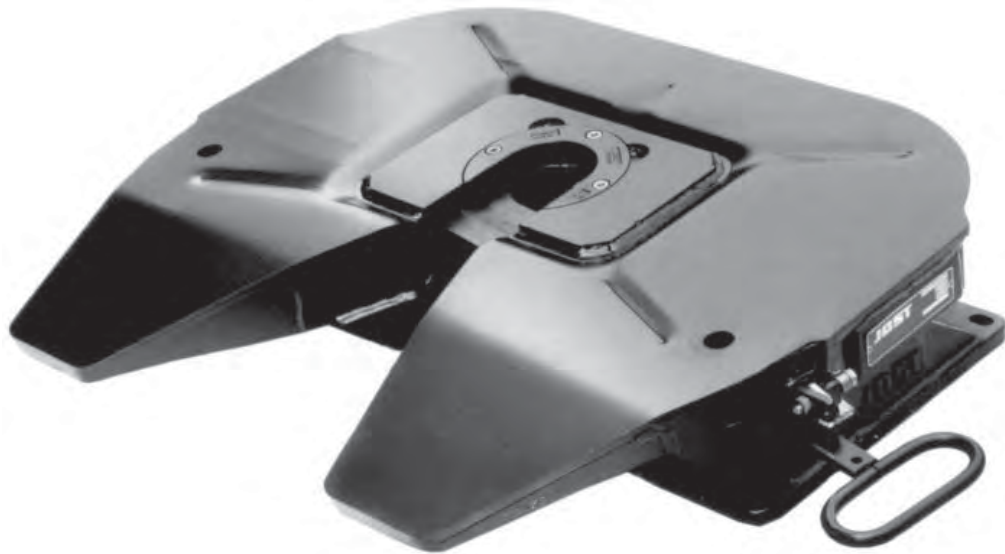
1. Release the hex bolts (2 each side - width over flats 19 mm).
2. Pull **both** blocks **out** to the end of the oblong hole.
3. Re-tighten the hex bolts (torque 80 Nm).

Maintenance instructions:

1. Uncouple semi-trailer at least once a week, certainly after more than 5000 km. Clean semi-trailer skid plate and fifth wheel plate. Lubricate fifth wheel plate, locking mechanism, fifth wheel throat and king pin, with heavy duty grease. We recommend the use of high pressure grease (EP) with MoS₂ or graphite additive, for example BP L21, M, BP HTEP 1, BP LS 2, Esso universal grease M, Shell Retinax AM. Check operating handle and release lever pivots for free movement - clean and lubricate.

2. The bearings of the lock lever (item 28) and of the pedestals of the JSK 38 G-1 and the pivot bearing of the JSK 50 are to be regreased through grease nipples provided at each maintenance interval. The rubber cushions of the JSK 38 C-1 are maintenance free. According to operating conditions we recommend checking parts for wear at 50,000 and 100,000 km distance driven.

JSK 38 DV90



A heavy duty fifth wheel coupling for operation under arduous conditions.

Increased load (up to 28,000kg).

With rubber bearing (model "C"): rubber cushions are shock-absorbent and maintenance-free.

Technical specification:

Rubber bearing

The fifth wheel coupling complies with the directives/standards as per 94/20/EC - Class S, DIN 74084 and ISO 3842. Suitable for 3,5" (90) king pins as per 94/20/EC, DIN 74083 and ISO 4086. Fitted on a mounting plate.

Imposed weight	28,000kg
D-value	260kN
Weight	204kg
CRN	36688

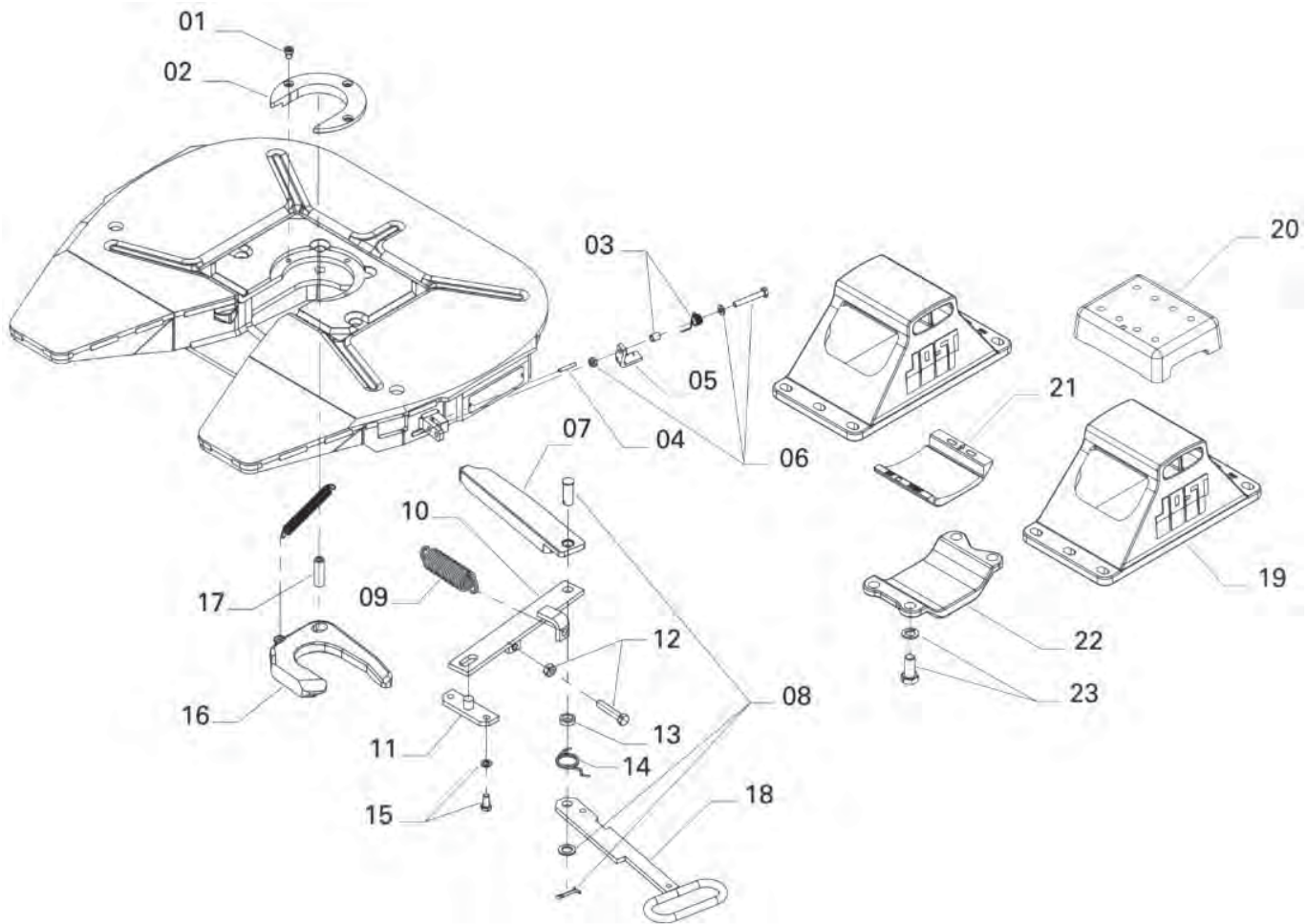
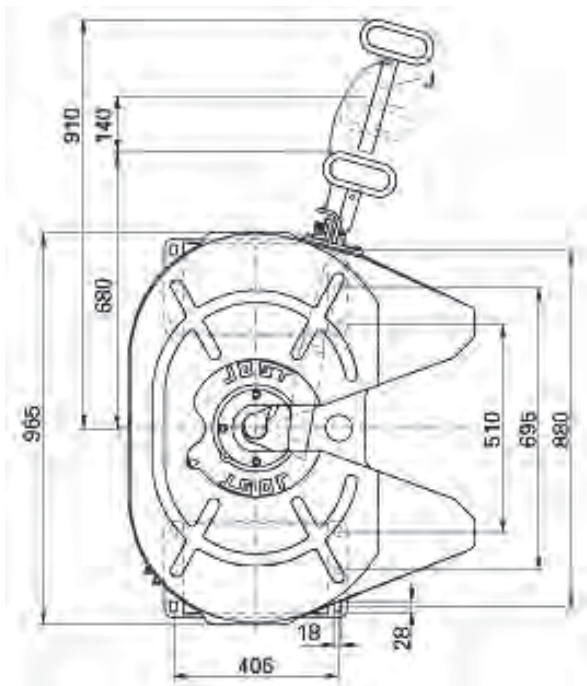
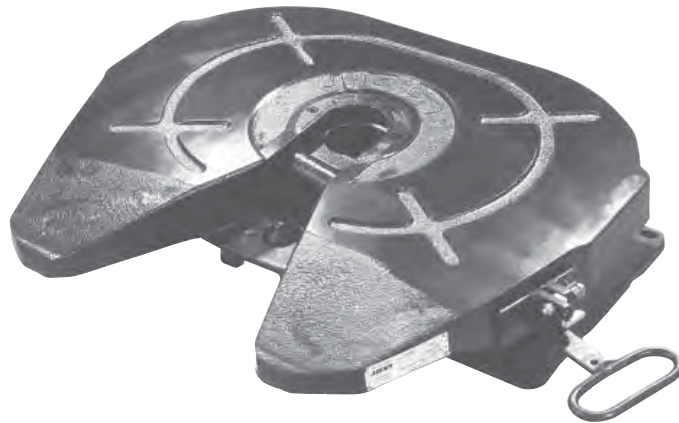


Fig.	Description	Part No.
1	Socket head bolt	SK 2421-08
2	Wearig ring, complete	SK 2421-56
3	Spring noose, complete	SK 2921-30
4	Clamping pin	000.003.027
5	Latch, complete	SK 3121-52
6	Hexagon bolt, complete	SK 3521-03
7	Locking bar	SKE003750000
8	Bar bolt, complete	SKE003760001
9	Double tension spring	SK 2405-23
10	Lever	SK 2405-24
11	Bearing	SK 2405-15
12	Hexagon bolt, complete	SK 2421-52
13	Washer	SK 2405-19

Fig.	Description	Part No.
14	Spring noose	SK 2405-09
15	Hexagon bolt, complete	SK 2405-53
16	Lock jaw	SK 2405-14
17	Bolt	SK 2405-18
18	Handle	SKE003740000
19a	Pedestal 160mm	SK 2404-05
19b	Pedestal 190mm	SK 2404-01
19c	Pedestal 250mm	SK 2404-04
20	Rubber cushion, upper	SK 2006
21	Rubber cushion, lower	SK 2007
22	Bridge	SK 2005
23	Hexagon bolt, complete	SK 2421-55

JSK 38 C-1 JSK 38 C-2"

with mounting pattern according to DIN standard 74081 and 74084



A heavy duty fifth wheel coupling for operation under arduous conditions.

The well known JOST locking device together with the maintenance free rubber cushions ensures a high degree of stability and safety on the road.

This fifth wheel is available for use with 3 1/2" and 2" king pins.

The conversion of a 3 1/2" or 2" locking mechanism or vice versa can easily be carried out with standard tools, without removing the fifth wheel coupling from the truck.

TWO HEIGHT OPTIONS	
160mm optional	(Bolt on/weldable feet)
190mm optional	(Bolt on/weldable feet)

Type	King pin	Imposed load	D-value	Weight	CRN
JSK 38 C-1	3 1/2"	36 000kg	260kN	190kg	24329
JSK 38 C-2"	2"	36 000kg	216kN	190kg	16913

Mounting must be carried out in accordance with our instructions.

The right to alter specifications is reserved.

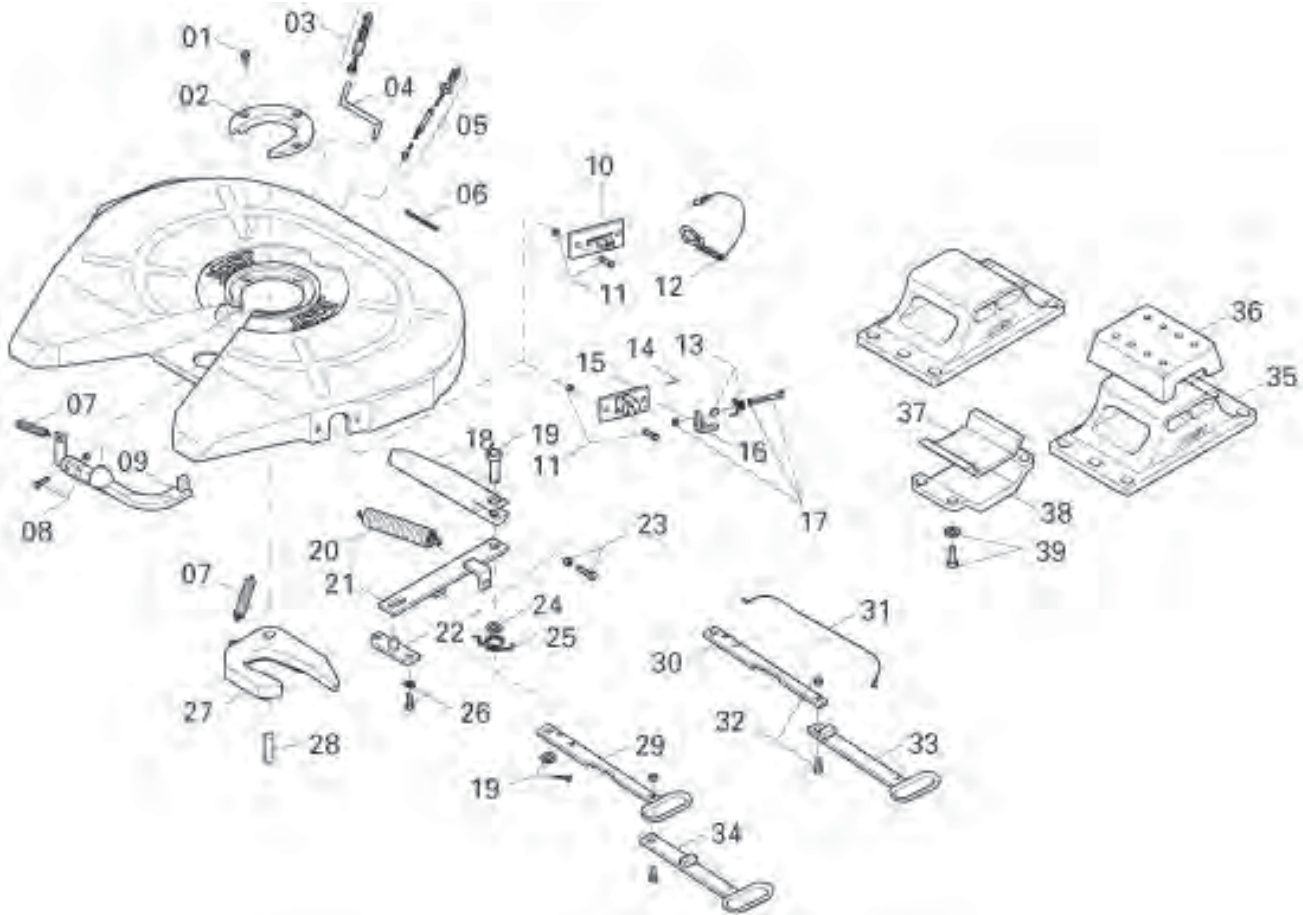
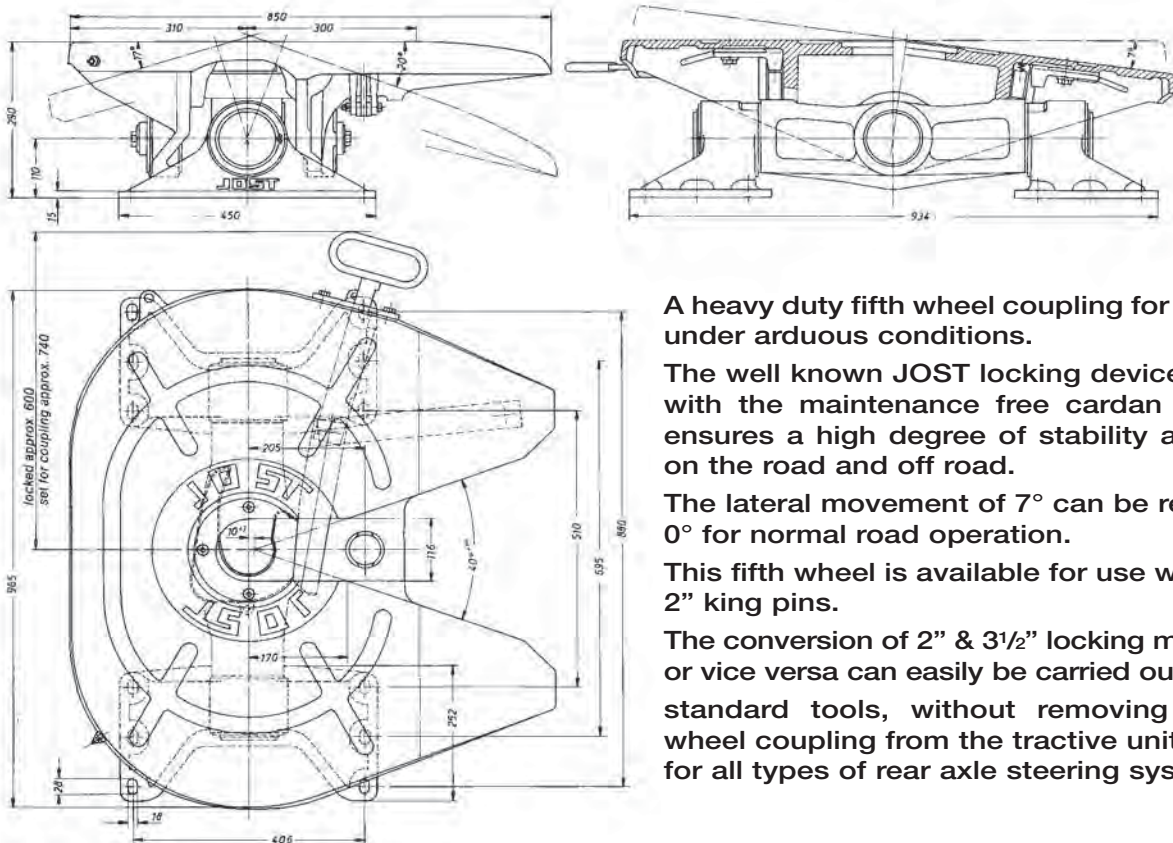
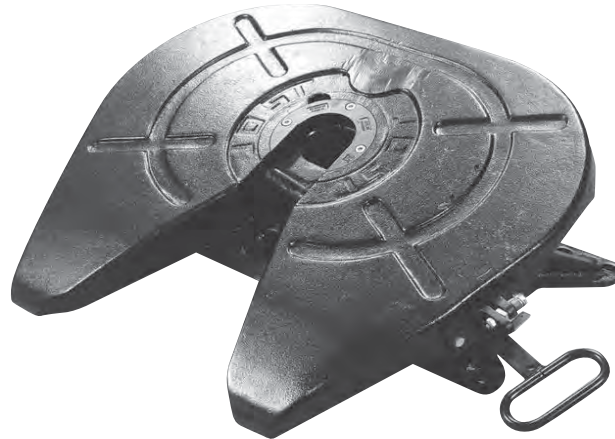


Fig.	Description	Part No.
1	Socket head bolt	SK 2421-08
2	Wearing ring 3 1/2", compl. with 01	SK 2421-56
2	Wearing ring 2", compl. with 01	SK 2421-57
3	Nut and bolt	SK 1976
4	Lubrication tube	SK 2205-12
5	Lubrication tube, compl. with 06	SK 2408-02
6	Cable tie	SK 3121-13
7	Tension spring	SK 2106-01
8	Hexagon bolt, compl.	SK 2421-51
9	Latch	SK 2405-27
10	Guide plate	SK 2405-22
11	Hexagon bolt, compl.	SK 2421-50
12	Spring hook, compl.	SK 1436
13	Spring noose with spacer	SK 2921-30
14	Clamping pin	000.003.027
15	Latch holder, compl. with 14	SK 2405-084
16	Latch, compl.	SK 3121-52 Kit
17	Hexagon bolt, compl.	SK 3521-03
18	Locking bolt	SK 2405-01
19	Bar bolt, compl.	SK 2121-14
20	Double tension spring	SK 2405-23
21	Lever	SK 2405-04
22	Bearing	SK 2405-15
23	Hexagon bolt, compl.	SK 2421-52
24	Washer	SK 2405-19
25	Spring noose	SK 2405-09
26	Hexagon bolt, compl.	SK 2421-53
27	Lock jaw	SK 2405-14
27	Lock jaw, 3 1/2" (Greaseable)	SK 2405-14Z
27	Lock jaw, 2"	SK 2405-13
27	Lock jaw, 2" (Greaseable)	SK 2405-13Z
28	Bolt	SK 2421-54

Fig.	Description	Part No.
29	Handle (standard version)	SK 2405-066
30	Locking bar for type J	SK 2405-067
31	Latch cord, compl. f. type J	SK 3521-02
32	Hexagon bolt, compl. f. type J	SK 2421-50
33	Handle for type J	SK 3105-113
34	Handle	SK 2405-066
35a	Pedestal 160mm	SK 2404-05
35b	Pedestal 190mm	SK 2404-01
35c	Pedestal 250mm	SK 2404-04
36	Rubber cushion, upper	SK 2006
37	Rubber cushion, lower	SK 2007
38	Bridge	SK 2005
39	Hexagon bolt, compl.	SK 2421-55
Repair Kits		
1,2,7 12,20, 27,28	Repair kit for lock 3 1/2"	SK 2421-76
1,2,7, 12,20, 27,28	Repair kit for lock 2"	SK 2421-77
36,37, 39	Repair kit for bearing	SK 2421-78
Conversion Kits		
1,2,7, 27	Conversion kit from 3 1/2" to 2" lock	SK 2421-98
1,2,7, 27	Conversion kit 2" to 3 1/2"	SK 2421-99
31,32, 34	Handle extension retrofit kit, compl.	SK 3121-063

JSK 38 G-1 JSK 38 G-2"

with mounting pattern according to DIN 74 081 and 74 084



A heavy duty fifth wheel coupling for operation under arduous conditions.

The well known JOST locking device together with the maintenance free cardan mounting ensures a high degree of stability and safety on the road and off road.

The lateral movement of 7° can be reduced to 0° for normal road operation.

This fifth wheel is available for use with 3 1/2" & 2" king pins.

The conversion of 2" & 3 1/2" locking mechanism or vice versa can easily be carried out with standard tools, without removing the fifth wheel coupling from the tractive unit. Suitable for all types of rear axle steering systems.

Type	King pin	Imposed load	D-value	Weight	CRN
JSK 38 G-1	3 1/2"	36 000kg	260kN	265kg	24327
JSK 38 G-2"	2"	36 000kg	216kN	265kg	16917

Mounting must be carried out in accordance with our instructions.

The right to alter specifications is reserved.

8/08

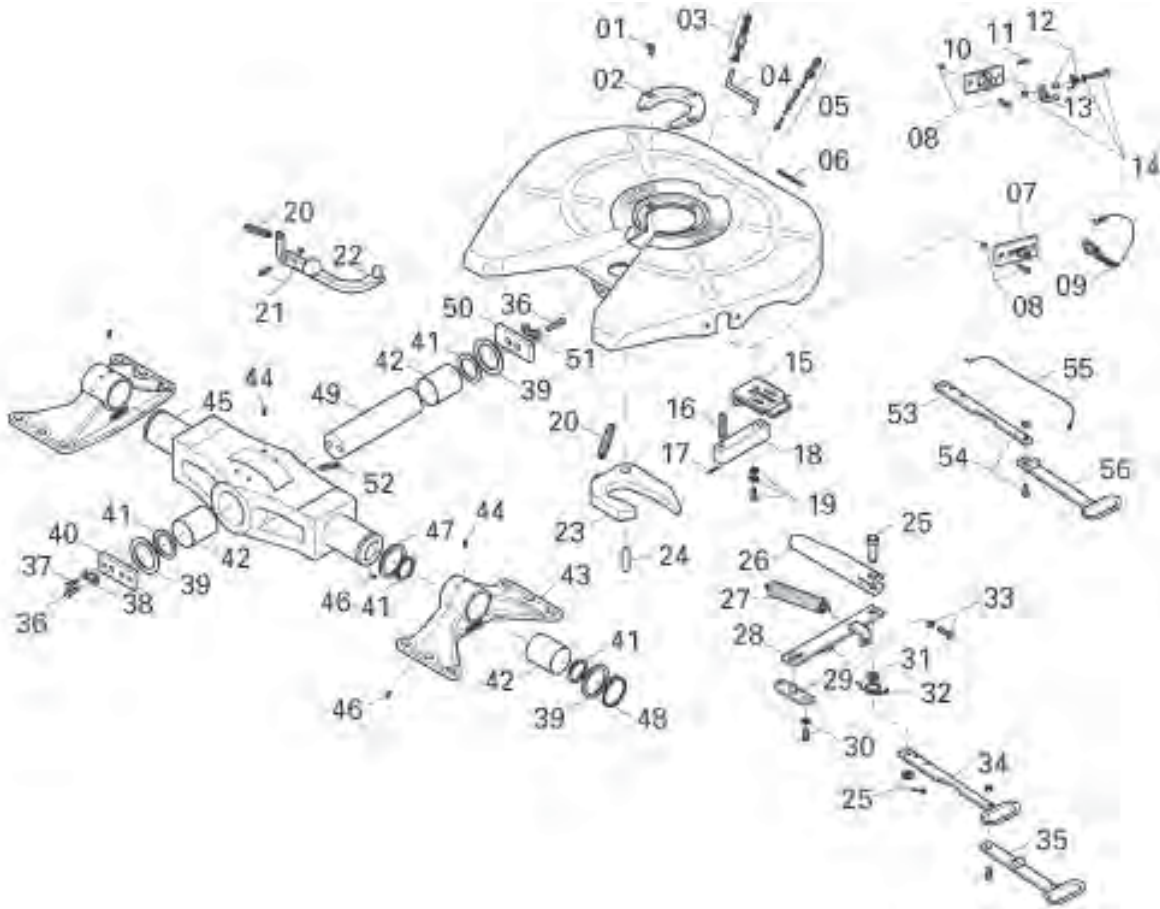
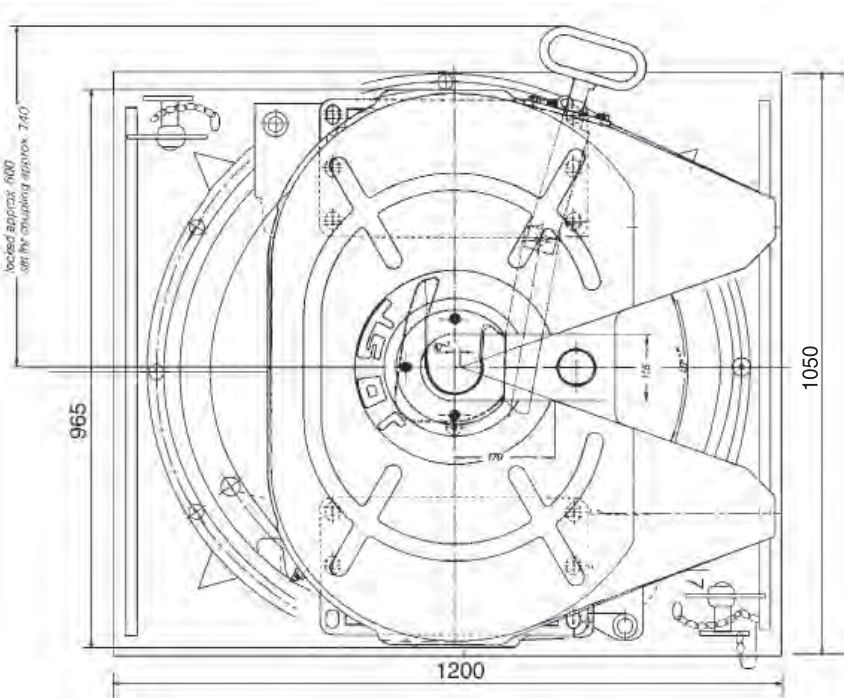
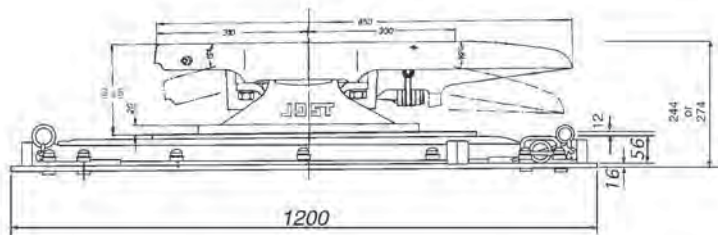


Fig.	Description	Part No.
1	Socket head cap screw	SK 2421-08
2	Wearing ring 3 1/2" compl. with item 1	SK 2421-56
2	Wearing ring 2" compl. with item 1	SK 2421-57
3	Grease nipple compl.	SK 1976
4	Grease tube	SK 1989
5	Schmierleitung, compl. with item 6	SK 2408-02
6	Tubing clamp	SK 3121-13
7	Guide plate up to series 70	SK 2405-22
8	Hexagon head bolt compl.	SK 2421-50
9	Spring hook/chain up to series 70	SK1436V
10	Latch plate compl. with 11 from series 72	SK 2405-084
11	Split pin	000.003.027
12	Spring compl. with spacer from series 72	SK 2921-30
13	Latch compl. from series 72	SK 3121-52
14	Bolt compl. form series 72	SK 3521-03
15	Cover plate	SK 2506-22
16	Thrust spring	SK 2506-15
17	Clamping sleeve	SK 2521-10
18	Block	SK 2506-35
19	Hexagon bolt	SK 2521-50
20	Lock jaw spring	SK 2106-01
21	Hexagon head bolt compl.	SK 2421-51
22	Pin	SK 2405-27
23	Lock jaw 3 1/2"	SK 2405-14
23	Lock jaw 2"	SK 2405-13
24	Pivot bolt	SK 2405-18
25	Pivot bolt compl.	SK 2121-14
26	Locking bar	SK 2405-01
27	Double tension spring	SK 2405-23
28	Lever	SK 2405-04
29	Support	SK 2405-15
30	Hexagon head bolt compl.	SK 2421-53
31	Disc	SK 2405-19
32	Spring loop	SK 2405-09
33	Hexagon head bolt compl.	SK 2421-52

Fig.	Description	Part No.
34	Operating handle	SK 2405-66
35	Handle	SK 2405-066
36	Hexagon bolt	SK 2034
37	Hexagon bolt	SK 2521-18
38	Security plate	SK 2504-21
39	Distance ring	SK 2504-14
40	Plate	SK 2504-18
41	Seal	SK 2521-07
42	Bush	SK 2504-16
43	Pedestal with 42, 44, 46	SK 2521-52
44	Dowel pin	SK 1533
45	Lock lever compl.	SK 2521-51
46	Grease nipple	SK 2521-04
47	Distance plate	SK 1192-1
48	Circlip	SK 1435
49	Pivot	SK 2504-17
50	Lock	SK 2504-19
51	Security plate	SK 2504-20
52	Grease nipple	SK 2521-57
53	Extended handle lower part	SK 2405-067
54	Hexagon bolt	SK 2421-50
55	Latch cord compl.	SK 3521-02
56	Extended handle grip	SK 3105-113
Repair kits		
1,2,5, 9,20,23 24,27	Repair kit for locking device 3 1/2"	SK 2421-76
1,2,5, 9,20,23 24,27	Repair kit for locking device 2"	SK 2421-77
35,54, 55	Handle extension	SK 3121-063
Conversion kits		
1,2, 20,23	Conversion from 3 1/2" pin to 2" pin	SK 2421-98
1,2, 20,23	Conversion from 2" pin to 3 1/2" pin	SK 2421-99

Type LP 38 C-1-16 Cast top
Type LP 38 C-2 -16 Cast top

Type LP 38 C-1-16/160 Cast top
Type LP 38 C-2 -16/160 Cast top



Heavy duty

Applications: Stock crate
Fridge van
General freight
Tankers

Standard with 16 mm base plate

optional: 20mm Base Plate

LP 38 C 20mm

*Note thicker base plate determines
extra weight and height.

D-Value JSK 38 C1W	260kN
JSK 38 C2W	216kN
Overall height	274 mm(with 190mm Feet)
	244 mm(with 160mm Feet)
Imposed load	21000 kgs
Gross comb. weight	115000 kgs
Weight approx. (for 16mm base plate)	444 kgs
CRN	C1-24837
CRN	C2-24834

Twin lockouts.

Flush bolt heads on mounting
plate in chassis mounting zone.
Cast type unit equipped with JSK
38 fifth wheel extra heavy duty
unit. Jaws sizes can be changed
from 50 mm or 90 mm diameter.
Mounting must be carried out in
accordance with our instructions.

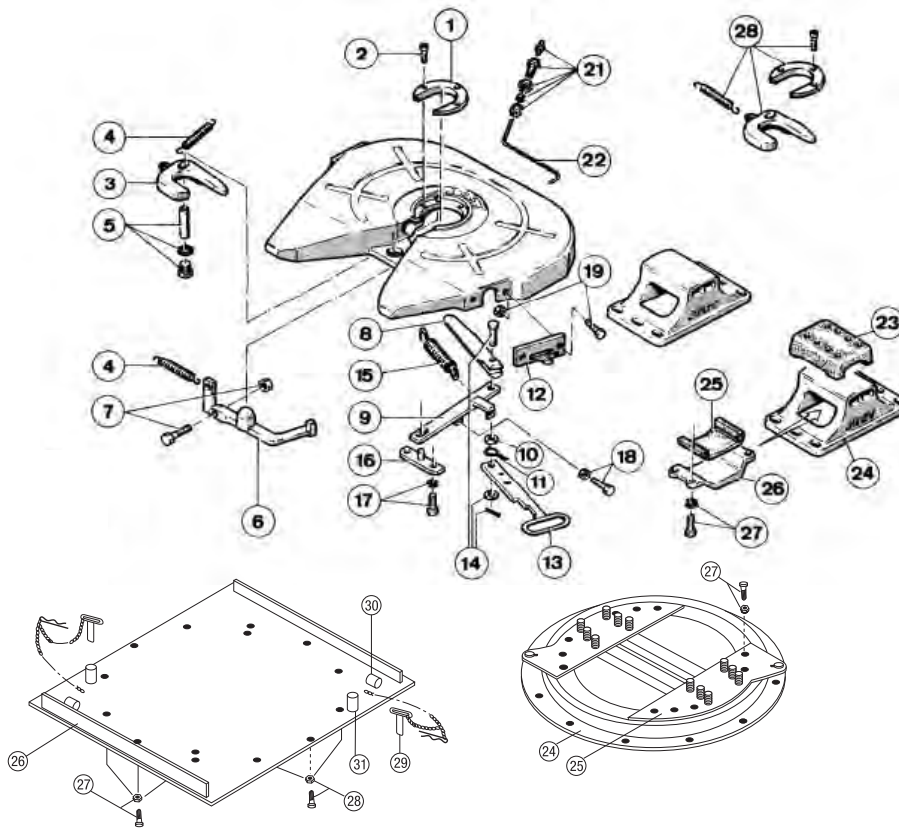


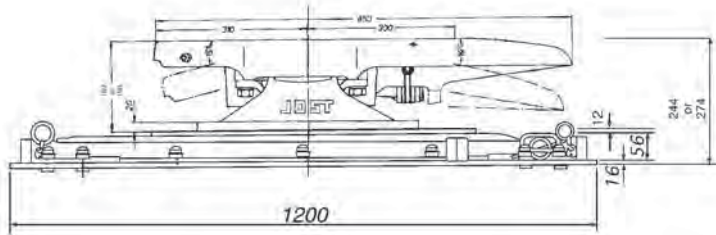
Fig.	Description	Part No.
1	Wearing ring 3 1/2" compl. with item 2	SK 2421-56
1	Wearing ring 2" compl. with item 2	SK 2421-57
2	Socket head bolt	SK 2421-08
3	Lock jaw 3 1/2"	SK 2405-14
3	Lock jaw 2"	SK 2405-13
4	Lock jaw spring	SK 2106-01
5	Bolt complete	SK 2421-54
6	Stopper	SK 2405-27
7	Hexagon head bolt	SK 2421-51
8	Locking bar	SK 2405-01
9	Lever	SK 2405-04
10	Disc	SK 2405-19
11	Spring loop	SK 2405-09
12	Guide plate	SK 2405-22
13	Operating handle	SK 2405-02
14	Locking bar bolt	SK 2121-14
15	Double tension spring	SK 2405-23
16	Support	SK 2405-15
17	Hexagon head bolt complete	SK 2421-53
18	Hexagon head bolt complete	SK 2421-52
19	Hexagon head bolt complete	SK 2421-50
20	Spring hook complete	SK 1436
21	Grease nipple complete	SK 1976
22	Grease tube	SK 2205-12
23	Upper rubber cushion	SK 2006
24a	Pedestal 160 mm Bolt on/weldable	SK 2404-05
24b	Pedestal 190 mm Bolt on/weldable	SK 2404-01
24c	Pedestal 250 mm Bolt on/weldable	SK 2404-04

Fig.	Description	Part No.
25	Lower rubber cushion	SK 2007
26	Mounting bracket	SK 2005
26a	For use with 160mm pedestals	SK 2005-1
27	Hexagon head bolt	SK 2421-55
Repair Kits		
1,3,4, 5,15, 20	Repair kit for locking device 3 1/2"	SK 2421-76
1,3,4, 5,15, 20	Repair kit for locking device 2"	SK 2421-77
23,25 27	Repair kit for rubber bearing	SK 2421-78
Conversion Kits		
28a	Kit to convert 3 1/2" to 2" locking mechanism	SK 2421-98
28b	Kit to convert 2" to 3 1/2" locking mechanism	SK 2421-99

Fig.	Description	Part No.	Fig.	Description	Part No.
29	Ball bearing	KDL 900-6	33	Countersunk bolt compl.	SK 3721-05
30	Half moon compl.	SK 3706-29	34	lock out pin compl.	SK 3706-10
31	Base plate (16mm) incl.56,57,58	SK 3706-16	35	Tube park	SK 3706-04
32	Hex. bolt compl.	SK 3721-04	36	Tube lock out	SK 3706-05

Type LP 38 DV 160 16 Press top

Type LP 38 DV 190 16 Press top



Heavy duty

Applications: Stock crate
Fridge van
General freight
Tankers

Standard with 16 mm base plate

D-Value **260kN**

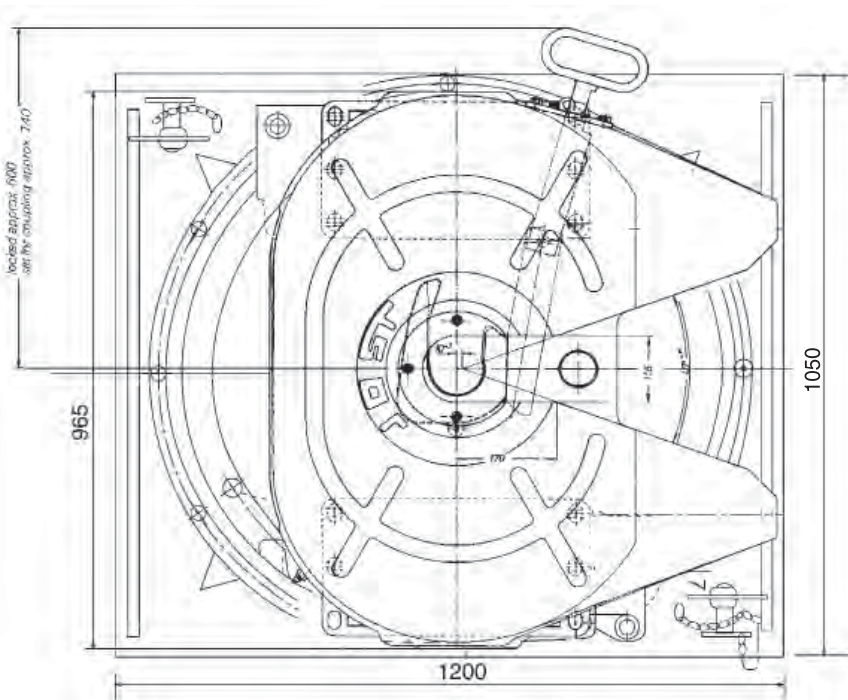
Overall height **274 mm**(with 190mm Feet)
244 mm(with 160mm Feet)

Imposed load **21000 kgs**

Gross comb. weight **115000 kgs**

Weight approx. **458 kgs**
(for 16mm base plate)

CRN **36688**



Twin lockouts.

Flush bolt heads on mounting plate
in chassis mounting zone. Press
type unit equipped with JSK 38
fifth wheel extra heavy duty unit.
Mounting must be carried out in
accordance with our instructions.

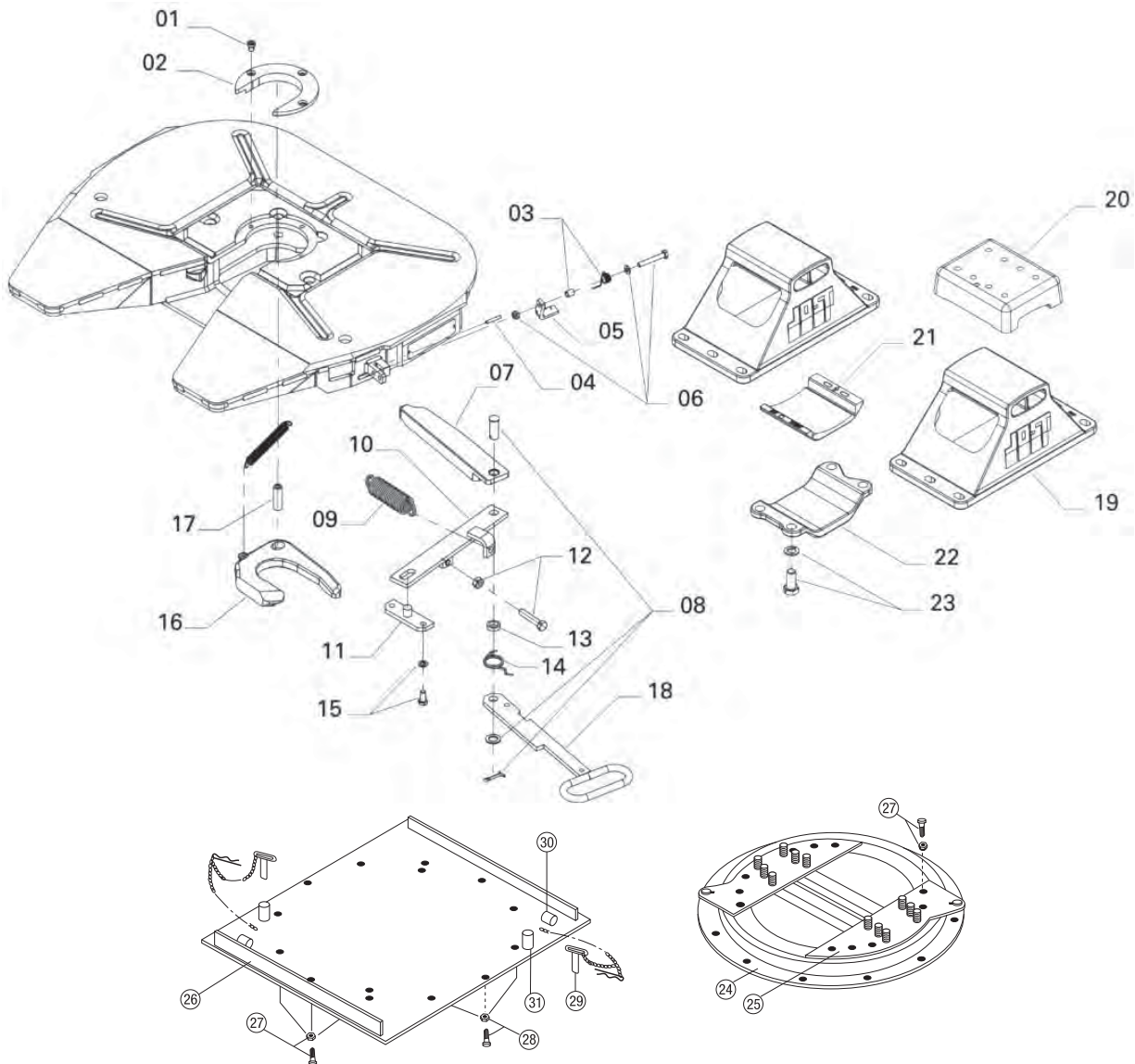


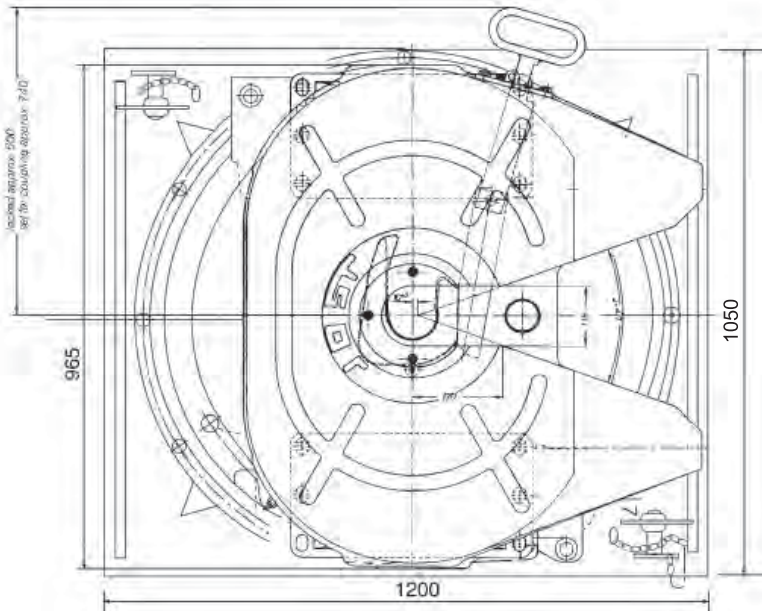
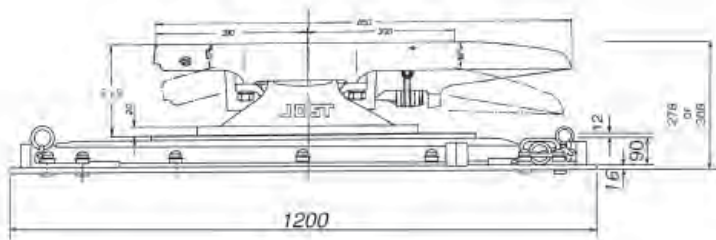
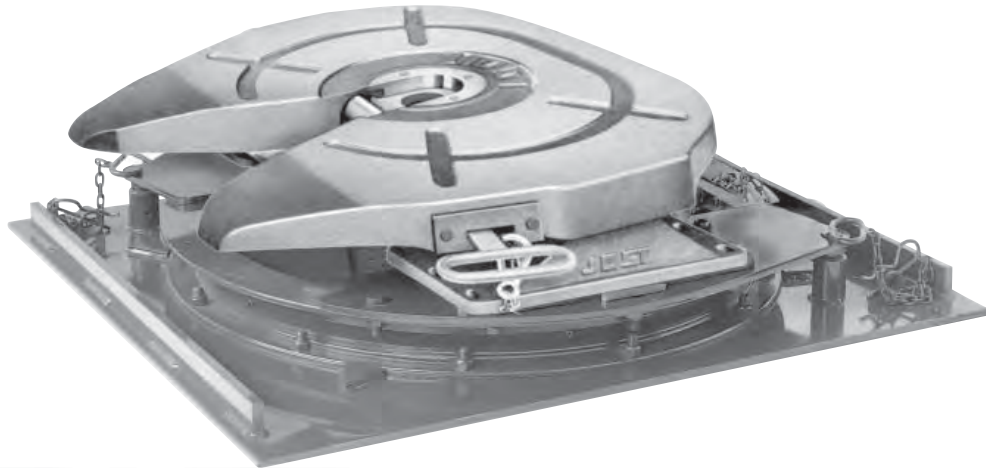
Fig.	Description	Part No.
1	Socket head bolt	SK 2421-08
2	Wear ring, complete	SK 2421-56
3	Spring noose, complete	SK 2921-30
4	Clamping pin	000.003.027
5	Latch, complete	SK 3121-52
6	Hexagon bolt, complete	SK 3521-03
7	Locking bar	SKE003750000
8	Bar bolt, complete	SKE003760001
9	Double tension spring	SK 2405-23
10	Lever	SK 2405-24
11	Bearing	SK 2405-15
12	Hexagon bolt, complete	SK 2421-52
13	Washer	SK 2405-19

Fig.	Description	Part No.
14	Spring noose	SK 2405-09
15	Hexagon bolt, complete	SK 2405-53
16	Lock jaw	SK 2405-14
17	Bolt	SK 2405-18
18	Handle	SKE003740000
19a	Pedestal 160mm	SK 2404-05
19b	Pedestal 190mm	SK 2404-01
19c	Pedestal 250mm	SK 2404-04
20	Rubber cushion, upper	SK 2006
21	Rubber cushion, lower	SK 2007
22	Bridge	SK 2005
23	Hexagon bolt, complete	SK 2421-55

Fig.	Description	Part No.	Fig.	Description	Part No.
24	Ball bearing	KDL 900-6	28	Countersunk bolt compl.	SK 3721-05
25	Half moon compl.	SK 3706-29	29	lock out pin compl.	SK 3706-10
26	Base plate (16mm) incl.56,57,58	SK 3706-16	30	Tube park	SK 3706-04
27	Hex. bolt compl.	SK 3721-04	31	Tube lock out	SK 3706-05

DR 38 C-1, DR 38 C-2, DR 38 C-1/160, DR 38 C-2/160

with mounting pattern according to DIN standard 74081 and 74084



Heavy duty

Applications: Stock crate
Fridge van
General freight
Tankers

Standard with 16 mm base plate

optional: 20mm Base Plate

DR 38 C 20mm

*Note thicker base plate determines
extra weight and height.

D-Value JSK 38 C1W 260kN

JSK 38 C2W 216kN

Overall height 308 mm (with 190mm Feet)

278 mm (with 160mm Feet)

Imposed load 20000 kgs

Gross comb. weight 115000 kgs

Weight approx. 472 kgs

(for 16mm base plate)

CRN 38C1-24843

CRN 38C2-24841

Twin lockouts.

Flush bolt heads on mounting
plate in chassis mounting zone.

Cast type unit equipped with JSK
38 fifth wheel extra heavy duty
unit. Jaws sizes can be changed
from 50 mm or 90 mm diameter.

Mounting must be carried out in
accordance with our instructions.

Mounting must be carried out in accordance with our instructions.

The right to alter specifications is reserved.

Jost Australia Pty. Ltd.
Toll Free Sydney 1800 811 487
www.jostaustralia.com.au

104

Sydney (02) 9838 8100
Brisbane (07) 3272 5777
Melbourne (03) 9360 9001
Perth (08) 9355 4137

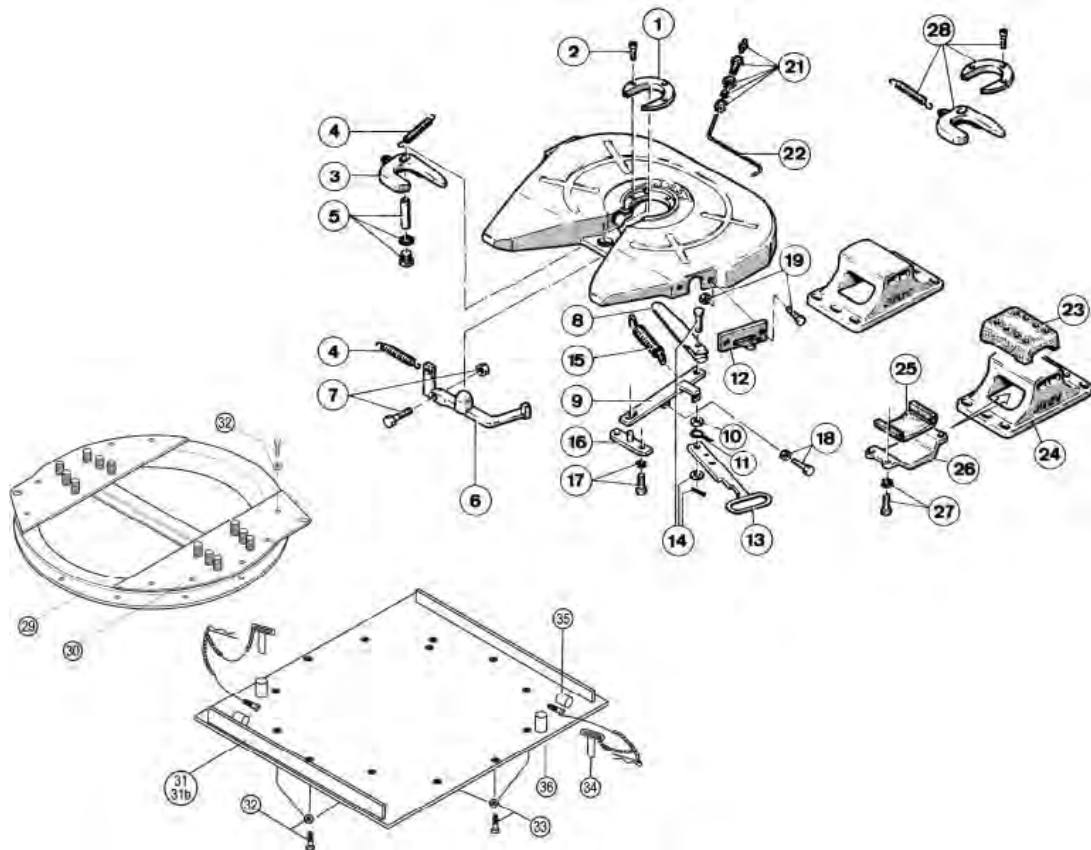


Fig.	Description	Part No.
1	Wearing ring 3 1/2" compl. with item 2	SK 2421-56
1	Wearing ring 2" compl. with item 2	SK 2421-57
2	Socket head bolt	SK 2421-08
3	Lock jaw 3 1/2"	SK 2405-14
3	Lock jaw 2"	SK 2405-13
4	Lock jaw spring	SK 2106-01
5	Bolt complete	SK 2421-54
6	Stopper	SK 2405-27
7	Hexagon head bolt	SK 2421-51
8	Locking bar	SK 2405-01
9	Lever	SK 2405-04
10	Disc	SK 2405-19
11	Spring loop	SK 2405-09
12	Guide plate	SK 2405-22
13	Operating handle	SK 2405-02
14	Locking bar bolt	SK 2121-14
15	Double tension spring	SK 2405-23
16	Support	SK 2405-15
17	Hexagon head bolt complete	SK 2421-53
18	Hexagon head bolt complete	SK 2421-52
19	Hexagon head bolt complete	SK 2421-50
21	Grease nipple complete	SK 1976
22	Grease tube	SK 2205-12
23	Upper rubber cushion	SK 2006
24a	Pedestal 160 mm Bolt on/weldable	SK 2404-05
24b	Pedestal 190 mm Bolt on/weldable	SK 2404-01
24c	Pedestal 250 mm Bolt on/weldable	SK 2404-04

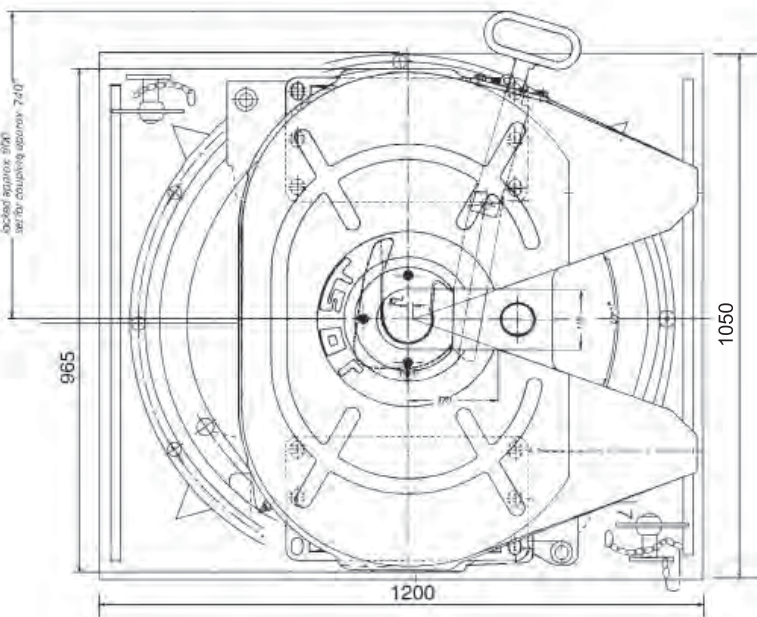
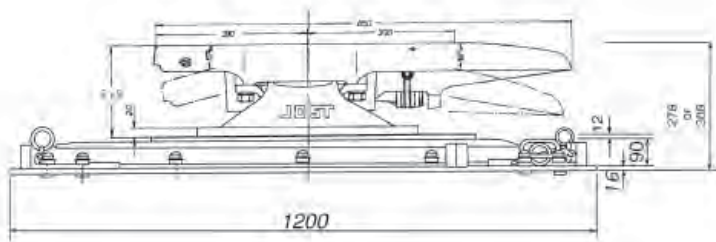
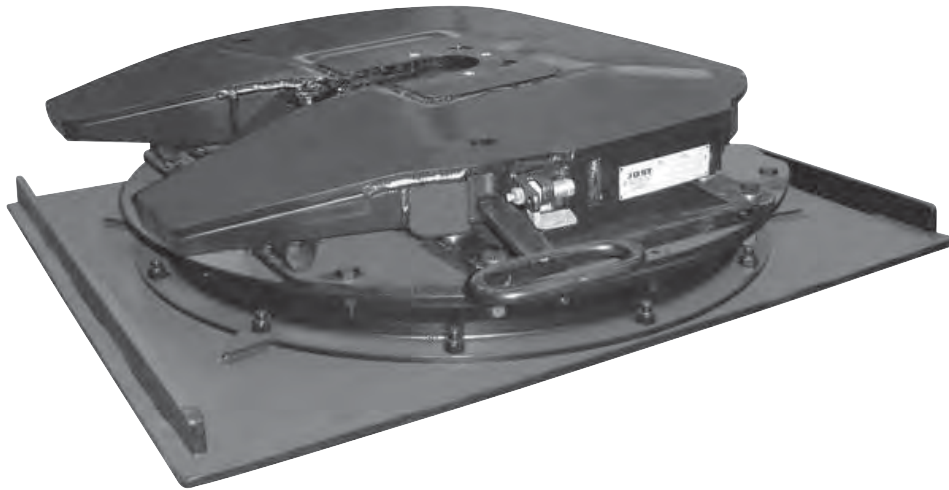
Fig.	Description	Part No
29	Ball bearing	DK 90-14
30	Half moon compl.	SK 3704-40
31	Base plate (16mm) incl.56,57,58	SK 3706-31
31b	Base plate (20mm) incl.56,57,58	SK 3706-32
32	Hex. bolt compl.	SK 3721-04

Fig.	Description	Part No.
25	Lower rubber cushion	SK 2007
26	Mounting bracket	SK 2005
26a	For use with 160mm pedestals	SK 2005-1
27	Hexagon head bolt	SK 2421-55
Repair Kits		
1,3,4, 5,15,	Repair kit for locking device 3 1/2"	SK 2421-76
1,3,4, 5,15,	Repair kit for locking device 2"	SK 2421-77
23,25 27	Repair kit for rubber bearing	SK 2421-78
Conversion Kits		
28a	Kit to convert 3 1/2" to 2" locking mechanism	SK 2421-98
28b	Kit to convert 2" to 3 1/2" locking mechanism	SK 2421-99

Fig.	Description	Part No
33	Countersunk bolt compl.	SK 3721-05
34	lock out pin compl.	SK 3705-09
35	Tube park	SK 3706-04
36	Tube lock out	SK 3705-10

DR 38 DV 190/16 & DR 38 DV 160/16

with mounting pattern according to DIN standard 74081 and 74084



Heavy duty

Applications: Stock crate
Fridge van
General freight
Tankers

Standard with 16 mm base plate

D-Value	260kN
Overall height	308 mm (with 190mm Feet) 278 mm (with 160mm Feet)
Imposed load	20000 kgs
Gross comb. weight	115000 kgs
Weight approx. (for 16mm base plate)	486 kgs
CRN	36819

Twin lockouts.

Flush bolt heads on mounting plate in chassis mounting zone. Press type unit equipped with JSK 38 fifth wheel extra heavy duty unit. Mounting must be carried out in accordance with our instructions.

Mounting must be carried out in accordance with our instructions.

The right to alter specifications is reserved.

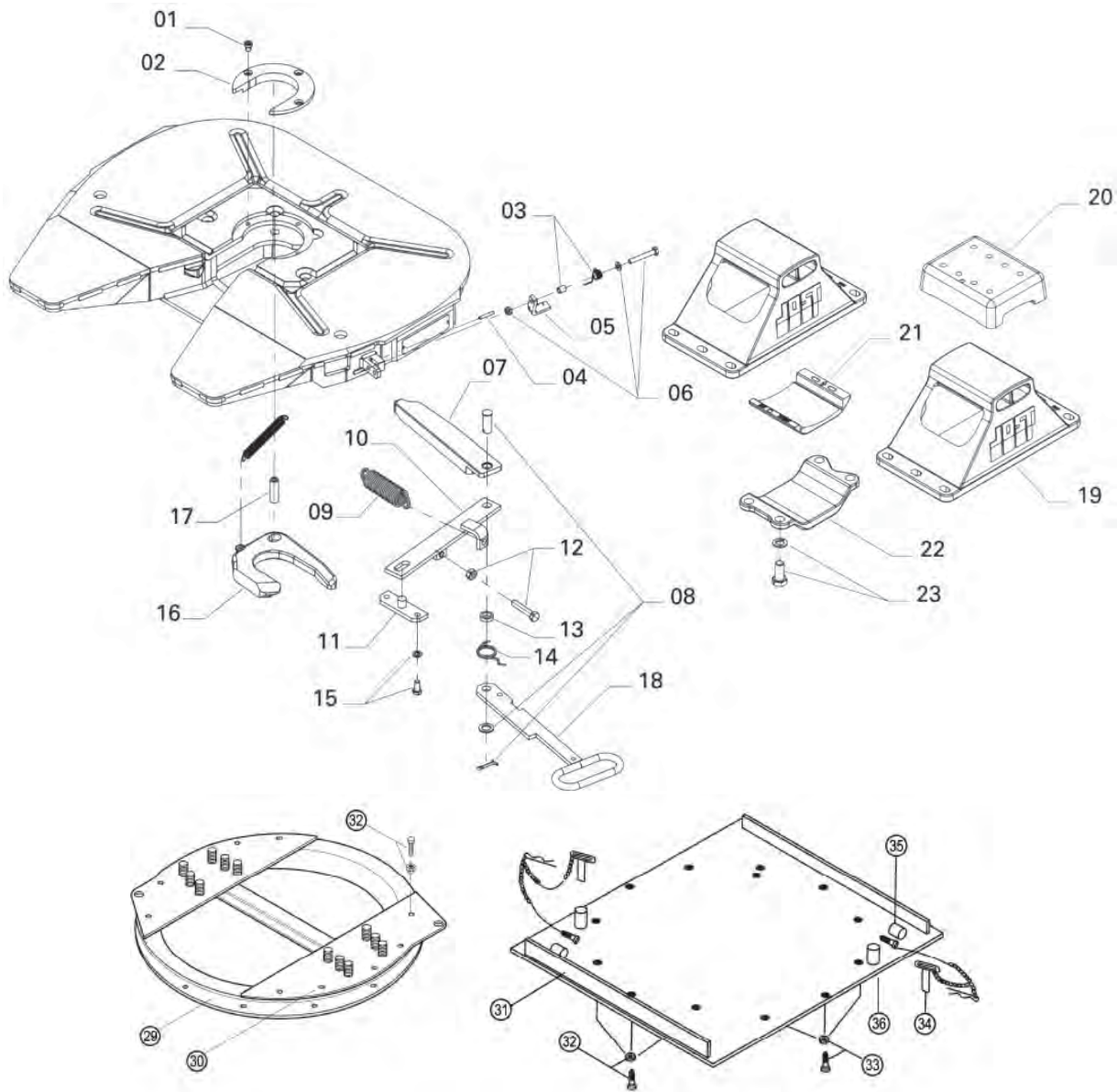


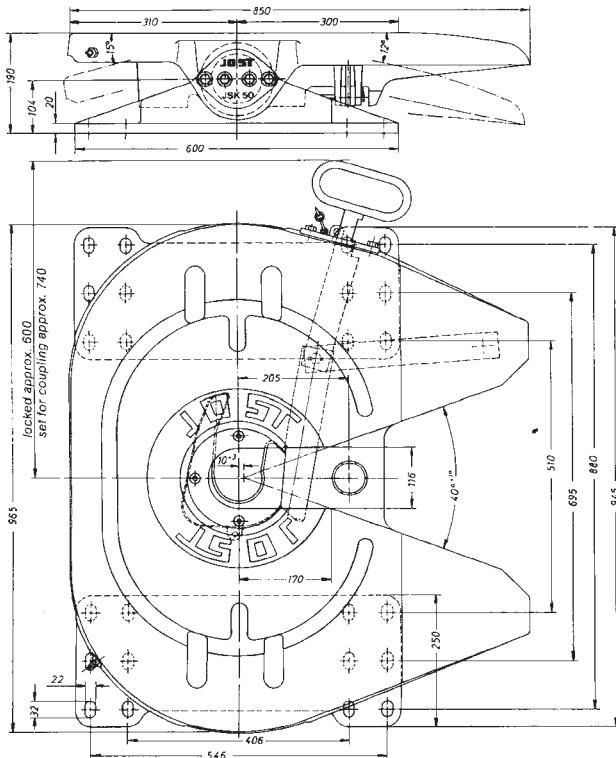
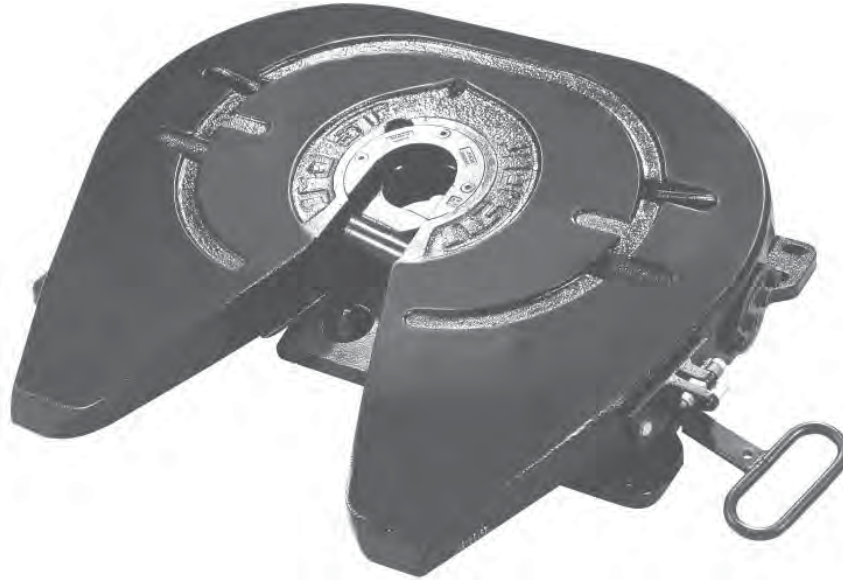
Fig.	Description	Part No.
1	Socket head bolt	SK 2421-08
2	Wear ring, complete	SK 2421-56
3	Spring noose, complete	SK 2921-30
4	Clamping pin	000.003.027
5	Latch, complete	SK 3121-52
6	Hexagon bolt, complete	SK 3521-03
7	Locking bar	SKE003750000
8	Bar bolt, complete	SKE003760001
9	Double tension spring	SK 2405-23
10	Lever	SK 2405-24
11	Bearing	SK 2405-15
12	Hexagon bolt, complete	SK 2421-52
13	Washer	SK 2405-19

Fig.	Description	Part No.
14	Spring noose	SK 2405-09
15	Hexagon bolt, complete	SK 2405-53
16	Lock jaw	SK 2405-14
17	Bolt	SK 2405-18
18	Handle	SKE003740000
19a	Pedestal 160mm	SK 2404-05
19b	Pedestal 190mm	SK 2404-01
19c	Pedestal 250mm	SK 2404-04
20	Rubber cushion, upper	SK 2006
21	Rubber cushion, lower	SK 2007
22	Bridge	SK 2005
23	Hexagon bolt, complete	SK 2421-55

Fig.	Description	Part No
29	Ball bearing	DK 90-14
30	Half moon compl.	SK 3704-40
31	Base plate (16mm) incl.56,57,58	SK 3706-31
32	Hex. bolt compl.	SK 3721-04

Fig.	Description	Part No
33	Countersunk bolt compl.	SK 3721-05
34	lock out pin compl.	SK 3705-09
35	Tube park	SK 3706-04
36	Tube lock out	SK 3705-10

JSK 50



A heavy duty fifth wheel for arduous conditions

D rating 300 kN

imposed load up, to 50.000 kg.

JOST self-adjusting locking device for 3 1/2" King pins.

Suitable for all types of rear axle steering systems.

Weight: 290 Kg.

Bolt on type Pedestals

CRN

24502

Mounting must be carried out in accordance with our instructions.

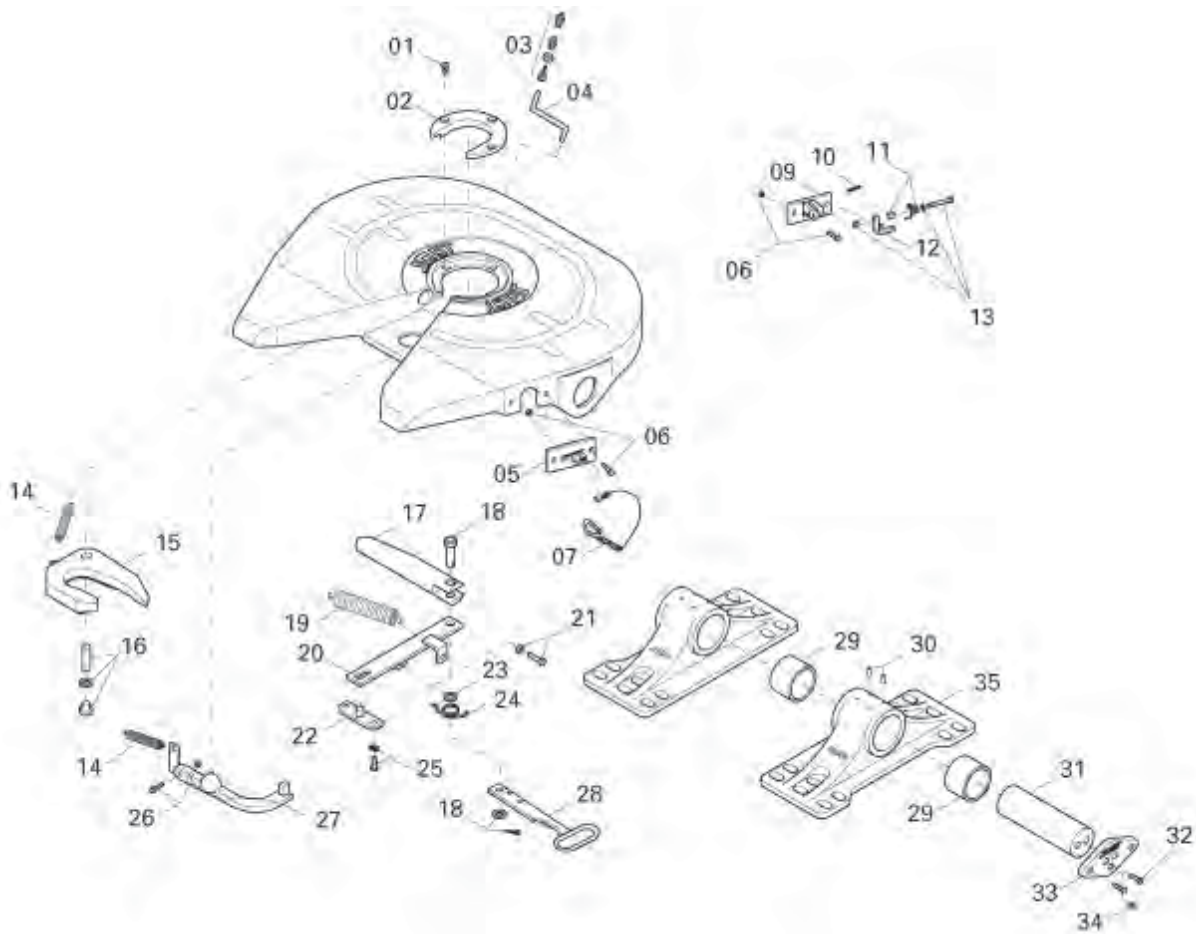


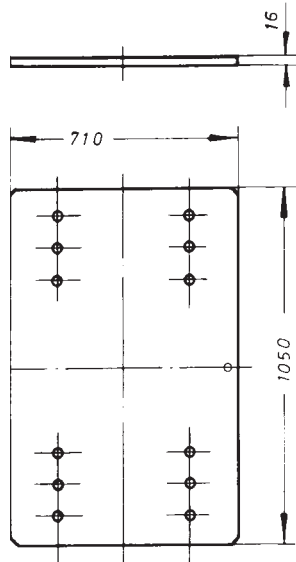
Fig.	Description	Part No.
1	Socket head bolt	SK 2421-08
2	Wearing ring 3 ¹ / ₂ " , compl. with 1	SK 2421-56
3	Nut and bolt	SK 1976
4	Lubrication tube	SK 1989-003
5	Guide plate	SK 2405-22
6	Hexagon bolt, complete	SK 2421-50
7	Spring hook, complete	SK 1436
9	Latch holder, compl. with 10	SK 2405-084
10	Clamping pin	000.003.027
11	Spring noose with spacer	SK 2921-30
12	Latch, complete	SK 3121-52
13	Hexagon bolt, complete	SK 3521-03
14	Tension spring	SK 2106-01
15	Lock jaw 3 ¹ / ₂ "	SK 2405-14
15a	Lock jaw 3 ¹ / ₂ " to suit grease nipple	SK 2405-14Z
16	Bolt, complete	SK 2421-54
17	Locking bolt	SK 2405-01
18	Bar bolt, complete	SK 2121-14
19	Double tension spring	SK 2405-23
20	Lever	SK 2405-04
21	Hexagon bolt, complete	SK 2421-52
22	Bearing	SK 2405-15

Fig.	Description	Part No.
23	Washer	SK 2405-19
24	Spring noose	SK 2405-09
25	Hexagon bolt, complete	SK 2421-53
26	Hexagon bolt, complete	SK 2421-51
27	Latch	SK 2405-27
28	Handle	SK 2405-066
29	Bearing bushing	SK 2805-03
30	Cylindrical notched pin	SK 1533
31	Pivot pin	SK 2805-01
32	Locking bolt	SK 2521-05
33	Plate	SK 2805-02
34	Grease nipple	SK 2521-04
35	Pedestal, compl. with 29 + 30	SK 2821-51
Repair Kits		
1,2,5,7, 12,20, 27,28	Repair kit for lock 3 ¹ / ₂ "	SK 2421-76
Conversion Kits		
31,32, 34	Handle extension retrofit kit, complete	SK 2821-51

Note: Now Available with Automatic Secondary Locking

8/08

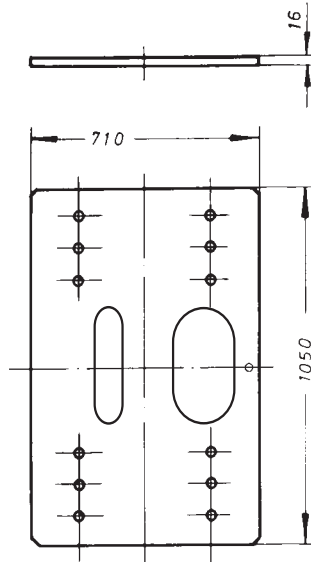
For fifth wheel couplings with mounting pattern according to DIN 74084, for example JSK 38C-1 and JSK 38G-1



Drilling pattern according to DIN standard 74084 and ISO 3842

MP 0118

Weight approx. 94kg

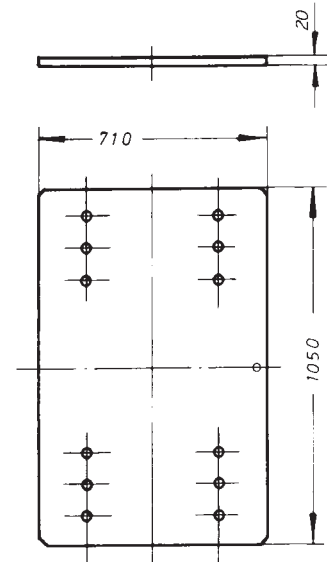


Drilling pattern according to DIN standard 74084 and ISO 3842

MP 0118/JSK 38

- (use for JSK 38 with 160mm pedestals)

Weight approx. 90kg



Drilling pattern according to DIN standard 74084 and ISO 3842

MP 0119

Weight approx. 120kg

The mounting plates are suitable for all types of semi-trailers with rear axle steering systems.

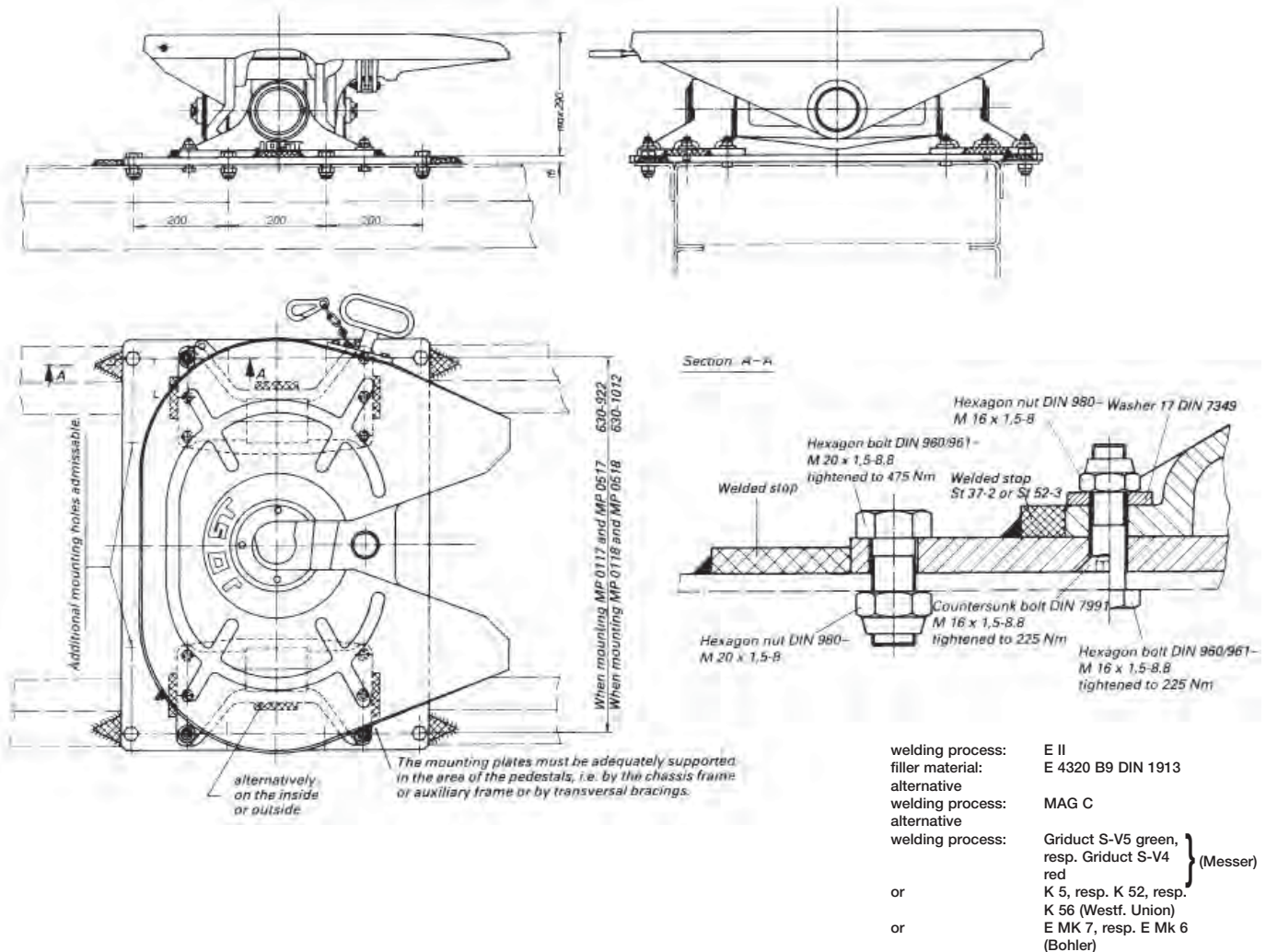
Suitable for fifth wheel couplings up to 290 mm mounting height.

Imposed load
D-Value

36000 kgs
260 kN

For fifth wheel couplings with JOST mounting pattern according to JOST standard type JSK 38C and JSK 38G.

The right to alter specifications is reserved.



Mounting instructions

When mounting the fifth wheel according to DIN 74084 on to a JOST mounting plate use 12 bolts M 16, preferably M 16 x 1,5 grade at least 8.8, respectively M 20, preferably M 20 x 1,5 for JSK 38 C-1 and JSK 38 G-1.

To fix the mounting plate on to the vehicle chassis at least 6 bolts M 16 x 1,5, preferably M 16 x 1,5, grade at least 8.8 respectively 4 x 20, preferably M 20 x 1,5 are required on each side.

To ease the shear load on the mounting bolts stop blocks should be welded to both sides of the pedestals and to the front and rear of the mounting plate. The fifth wheel plate must be able to move freely and must touch neither the mounting plate nor the chassis or subframe.

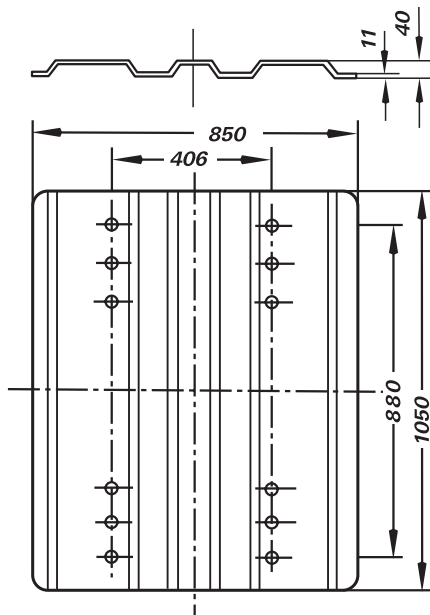
The mounting instructions of the truck manufacturers and - if applicable - existing legal regulations must be adhered to. The bolts must be checked for tightness.

JOST 'Mounting instructions for 2" fifth wheel couplings' must be strictly adhered to.

Fit fifth wheel in accordance to AS/NZS 4968.2:2003 "Installation of fifth wheel and turntable assemblies"

The right to alter specifications is reserved.

For fifth wheel couplings with mounting pattern according to DIN 74084, for example JSK 38C-1 and JSK 38G-1



The mounting plates are suitable for all types of semi-trailers with rear axle steering systems.

Suitable for fifth wheel couplings up to 290 mm mounting height.

Imposed load 36000kg

D-value 260 kN

Drilling pattern according to
DIN standard 74084
and ISO 3842

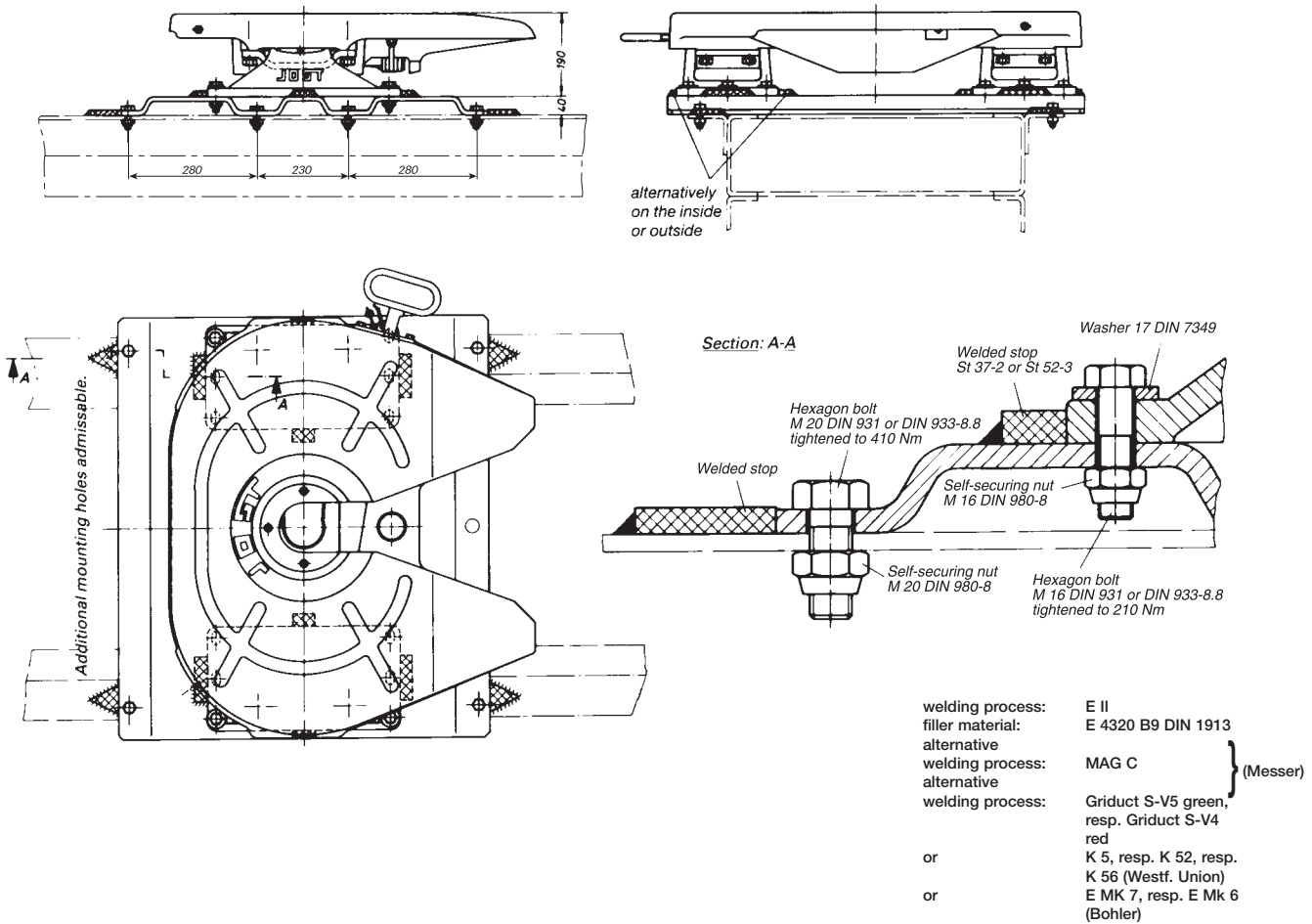
MP 4126

Weight approx. 81kg

For fifth wheel couplings with JOST mounting pattern according to JOST standard type JSK 38C and JSK 38G

The right to alter specifications is reserved.

8/08



Mounting instructions

When mounting the fifth wheel according to DIN standard 74084 onto a JOST mounting plate use 12 bolts M 16 preferably M 16 x 1,5 grade at least 8.8 respectively M 20 preferably M 20 x 1,5 for JSK 38 C and JSK 38 G.

To fix the mounting plate on to the vehicle chassis at least 6 bolts M 16, preferably M 16 x 1,5, grade at least 8.8 respectively 4 x M 20, preferably M 20 x 1,5 are required on each side.

To ease the shear load on the mounting bolts stop blocks should be welded to both sides of the pedestals and to the front and rear of the mounting plate.

The fifth wheel plate must be able to move freely and must touch neither the mounting plate nor the chassis or subframe.

The mounting instructions of the truck manufacturers and - if applicable - existing legal regulations must be adhered to. The bolts must be checked for tightness.

JOST 'Mounting instructions for 2" fifth wheel couplings" must be strictly adhered to.

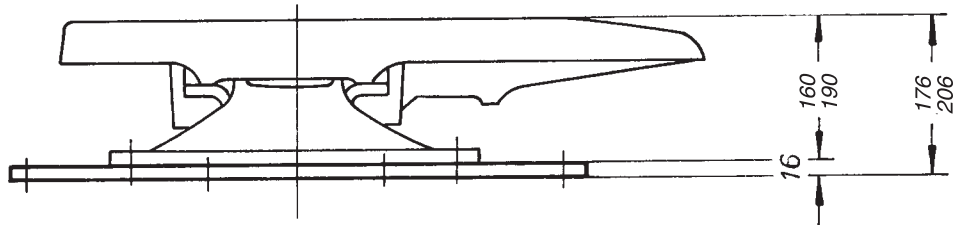
Fit fifth wheel in accordance to AS/NZS 4968.2:2003 "Installation of fifth wheel and turntable assemblies"

The right to alter specifications is reserved.

JSK 38 C Height Variations

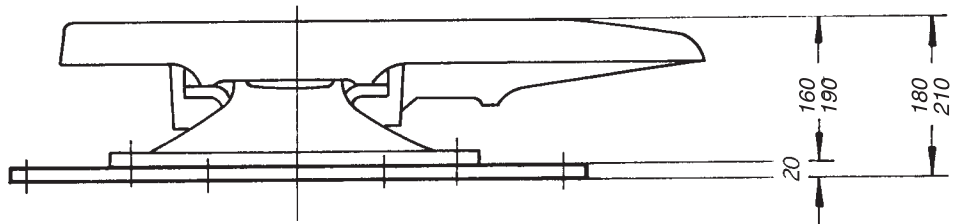
Type MP 0118

Imposed load 36000 kg
D-value 260 kN



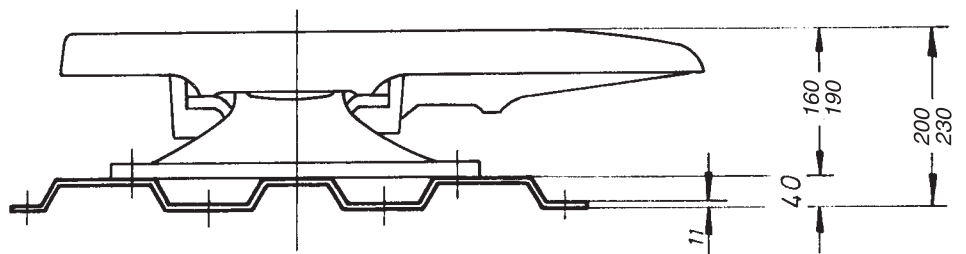
Type MP 0119

Imposed load 36000 kg
D-value 260 kN



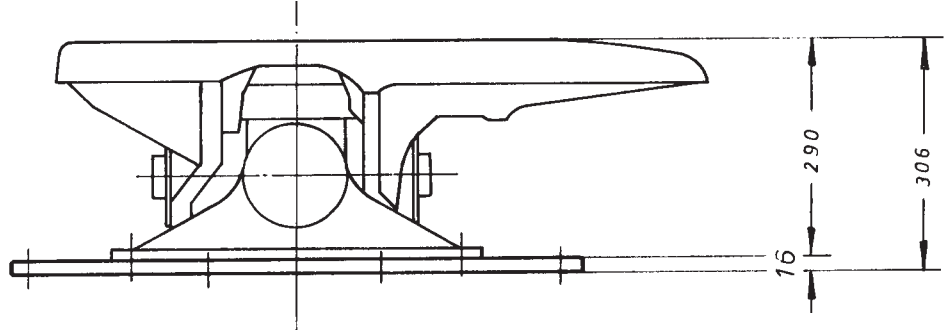
Type MP 4126

Imposed load 36000 kg
D-value 260 kN

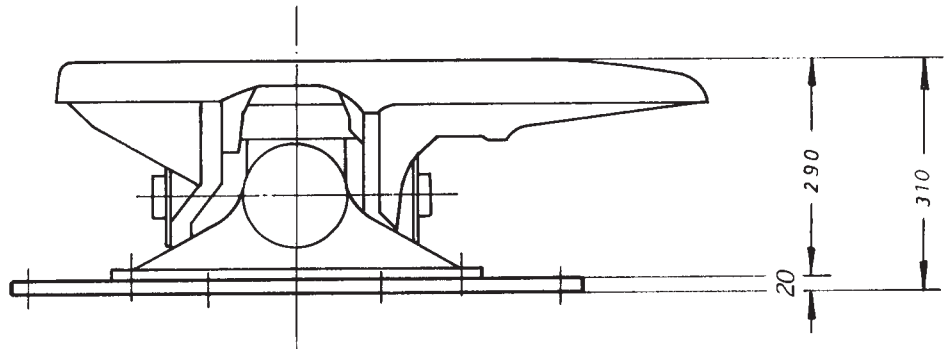


JSK 38 GI height variations

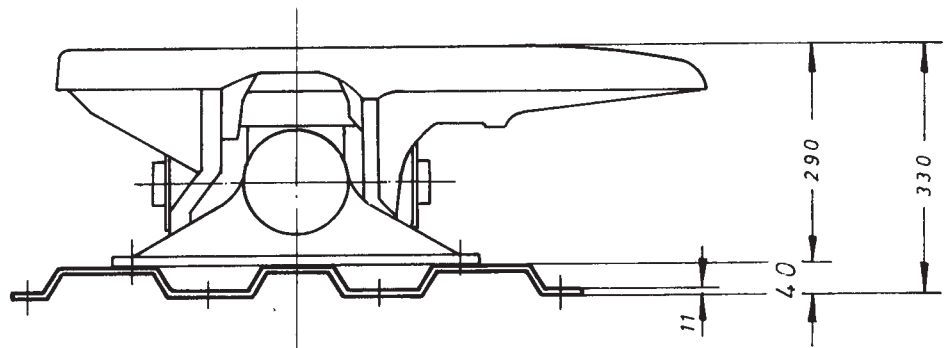
Type MP 0118
Imposed load 36000 kg
D-value 260 kN



Type MP 0119
Imposed load 36000 kg
D-value 260 kN



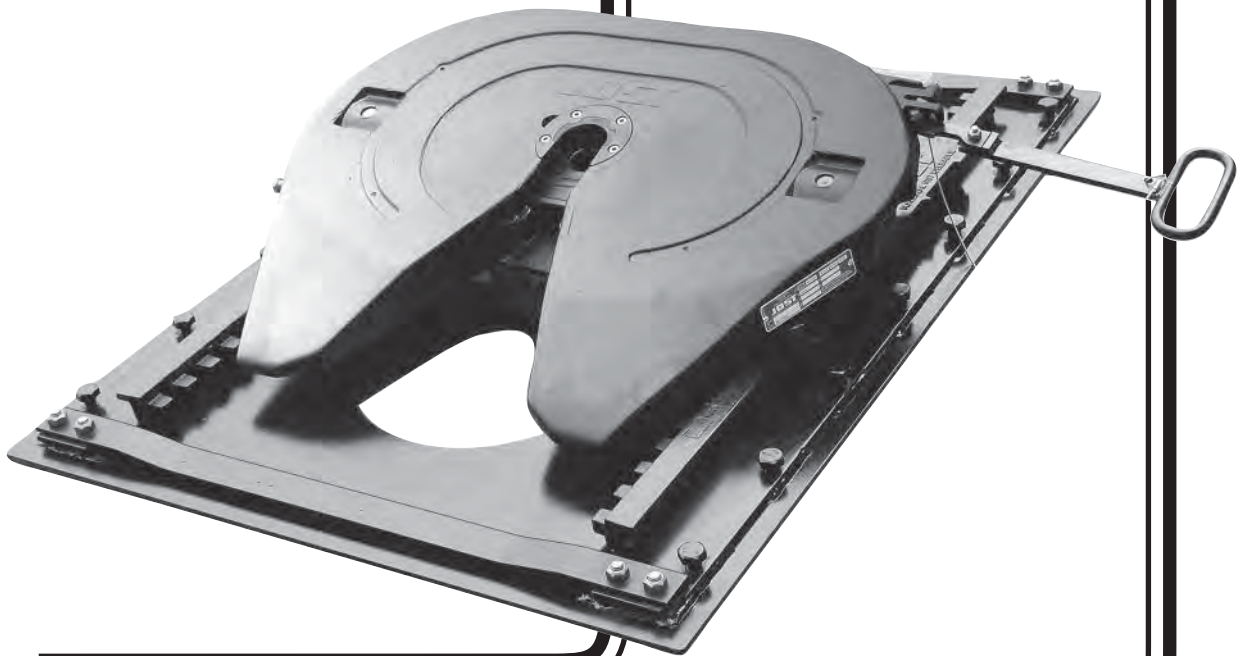
Type MP 4126
Imposed load 36000 kg
D-value 260 kN



The right to alter specifications is reserved.

8/08

JOST



**Sliders for fifth
wheel couplings**

JSK SL Standard and XXL



Multi-purpose

- Fifth wheel coupling position freely adjustable in 50mm steps
 - optimum shaft load and load distribution
 - total traction length setting
- 4 construction heights: 173, 203, 220 or 263mm
- Can be attached to all standard vehicle types
- Equipped with the tried and tested fifth wheel couplings JSK 37 E, JSK 37 EW or JSK 36 D

Easy Mounting and operation

- All standard customer hole patterns available ex works
- Easy to mount with a hexagonal bolt
- Base plate to suit narrow or standards spec chassis

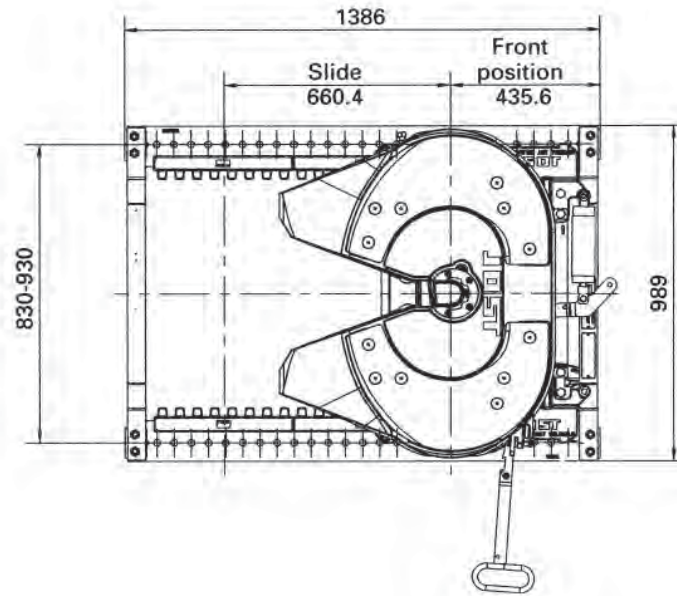
Lightweight, compact and robust

- 25% lighter than its predecessors
- Greater degree of travel with smaller external dimensions
- Cathodic electrophoretic painting for optimum anti corrosion

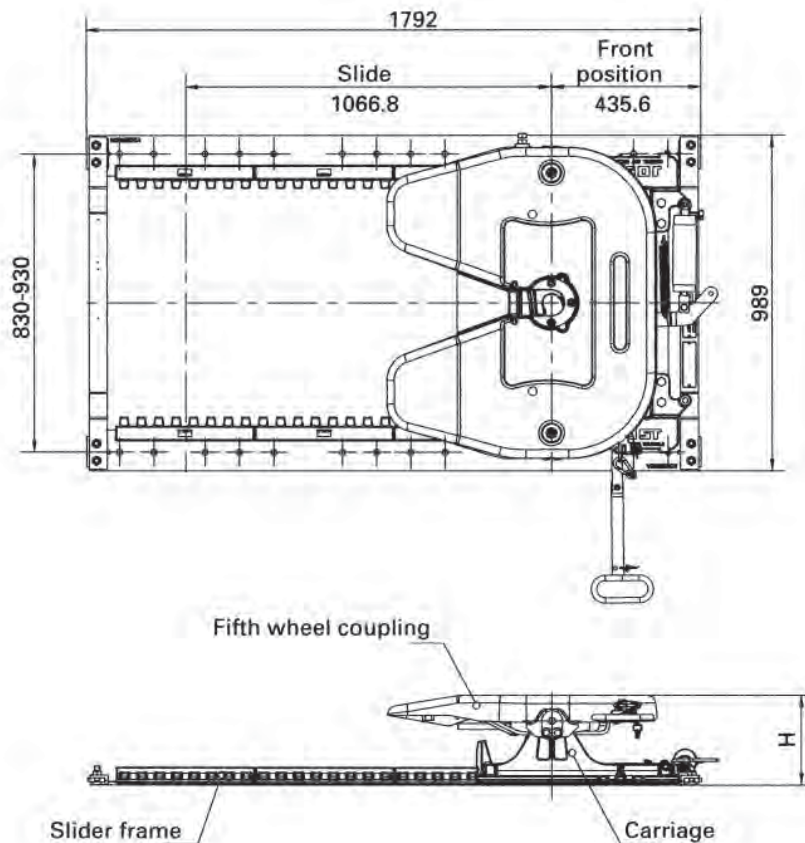
Top safety standards

- Self-locking mechanism, protected against accidental opening
- Elbow lever principle for greater locking force
- Fourfold, interlocking lock between the carriage and slider frame
- Forged gear tooth rows
- Cast pedestals

Standard



XXL



Technical specifications

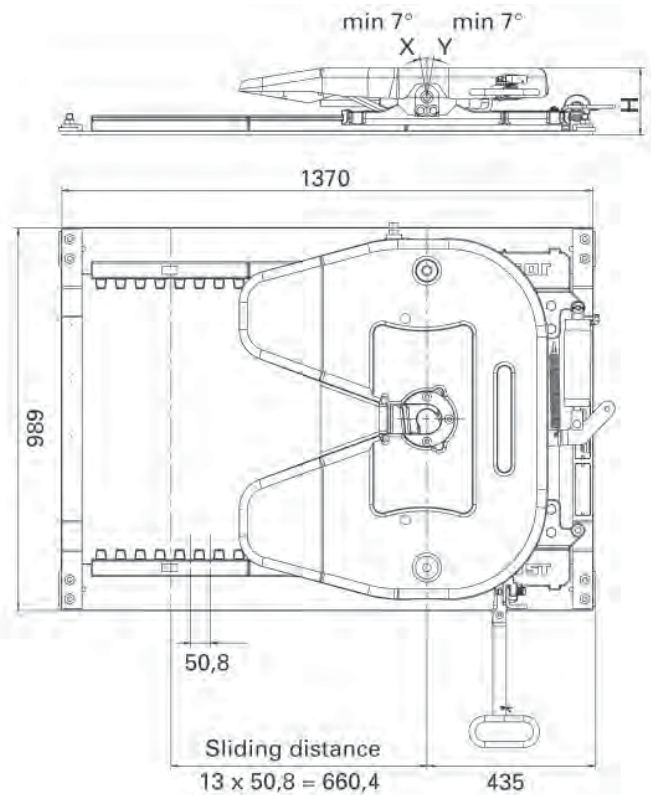
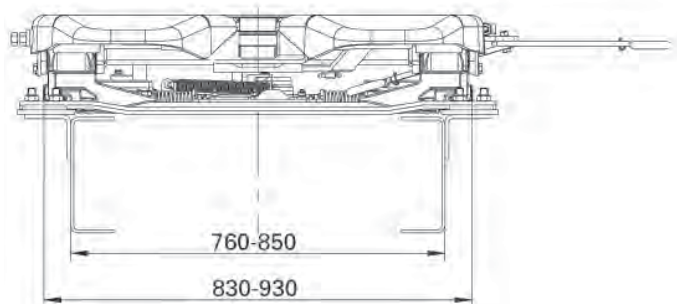
Version	Mounting height (mm)	Permitted imposed load (t)	D value (kN)	Weight minus fifth wheel coupling (kg)	CRN
Standard	173/203/220/263	20t	190kN	approx. 118kg	36820
XXL	173/203/220/263	20t	190kN	approx. 139kg	36820

Components and variantes

Part No.	Fifth Wheel	Height (mm)	Width (mm)
JSK SLE 04521AA	JSK 37EW	203	Undrilled
JSK SLE 03223AA	JSK 37E	173	Undrilled
JSK SLE 03224AA	JSK 3EW	173	Undrilled
JSK SLE 04520BC	JSK 37E	203	880
JSK SLE 04520BD	JSK 37E	203	930
JSK SLE 04521BC	JSK 37EW	203	880
JSK SLE 04523AA	JSK 37E	203	Undrilled
JSK SLE 032X8AA	JSK 37E	173 (XXL)	Undrilled
JSK SLE 045X8AA	JSK 37E	203 (XXL)	Undrilled
JSK SLE 07321AA	JSK 37EW	263	Undrilled

Technical Specification

The slider with integral JOST series JSK 37 E or 36 D fifth wheel coupling is designed for 2" king pins (50) as per EG 94/20, DIN 74080, ISO 337.

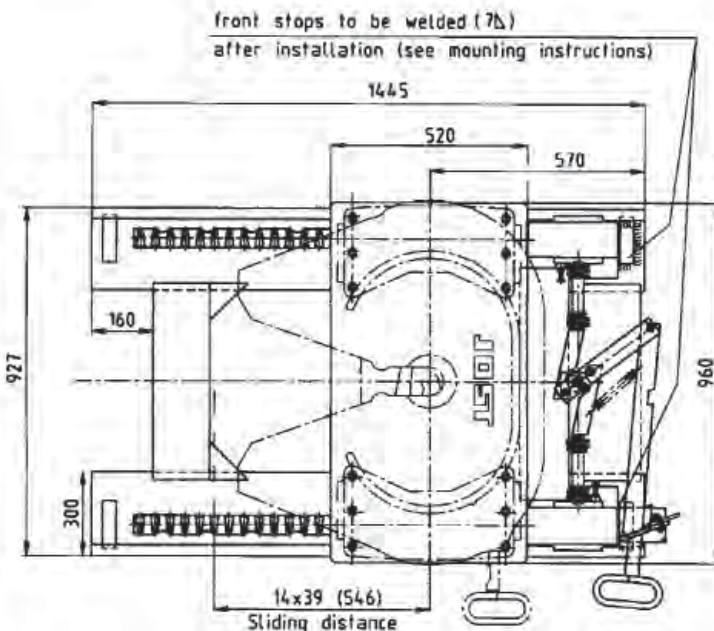
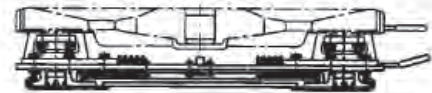
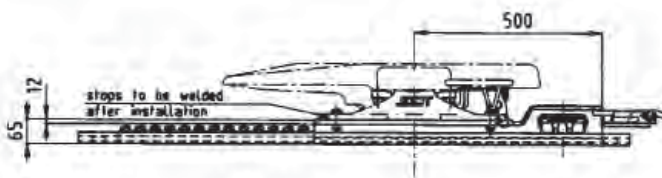
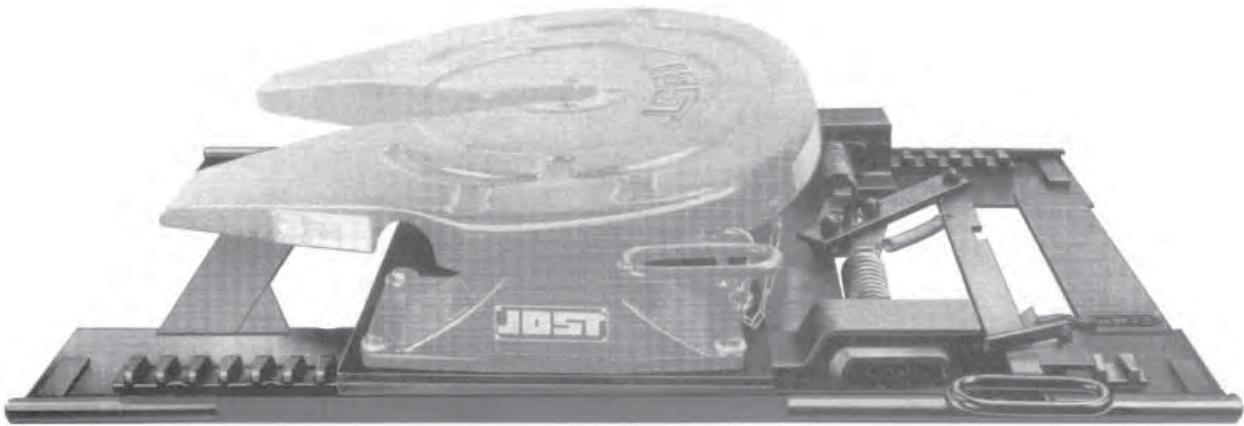


Technical Data

D value (kN)	Imposed load U (t)	CRN
190	20	36820

Type EV M

All normal fifth wheel couplings can be mounted on the sliding device. Standard mounting holes for the fifth wheel coupling according to DIN standard 74081 and ISO 3842 are provided.



Load on main plate	18,000 kg
Total weight of articulated unit (GCM)	135,000 kg
Weight approx. (without fifth wheel)	180 kg
D-value	190 kN
CRN	26167
For use with JSK 36 CV/150	
D-value	190 kN
CRN	26169
For use with JSK 37 CZ/150	
Base plate to suit European or standard spec	

The above loads apply to operation on ordinary roads and ordinary operating conditions as they are to be found in Europe. If the fifth wheels are being operated in other territories or under other conditions we would ask you to contact us regarding the type of fifth wheel to be used.

The right to alter specifications is reserved.

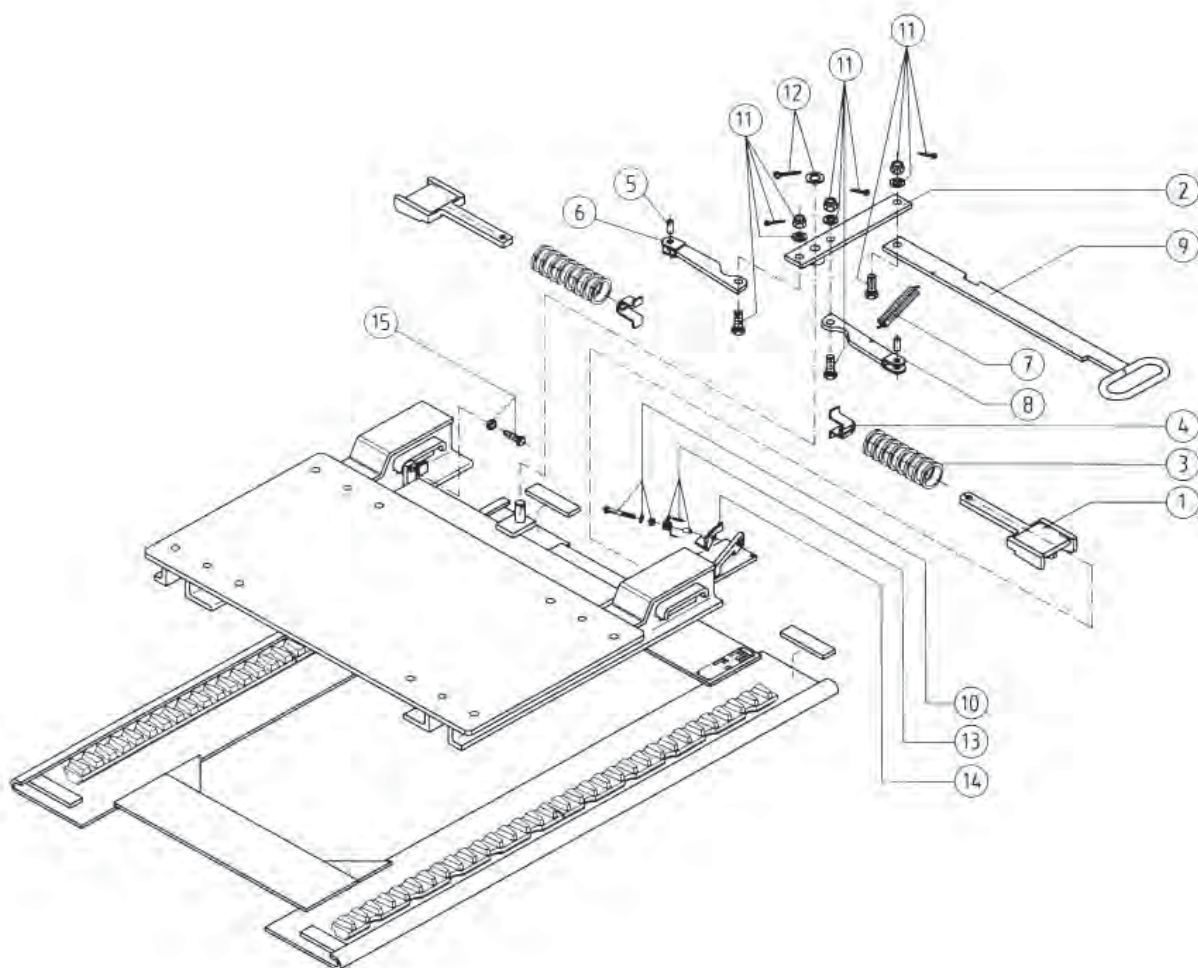
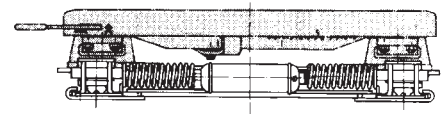
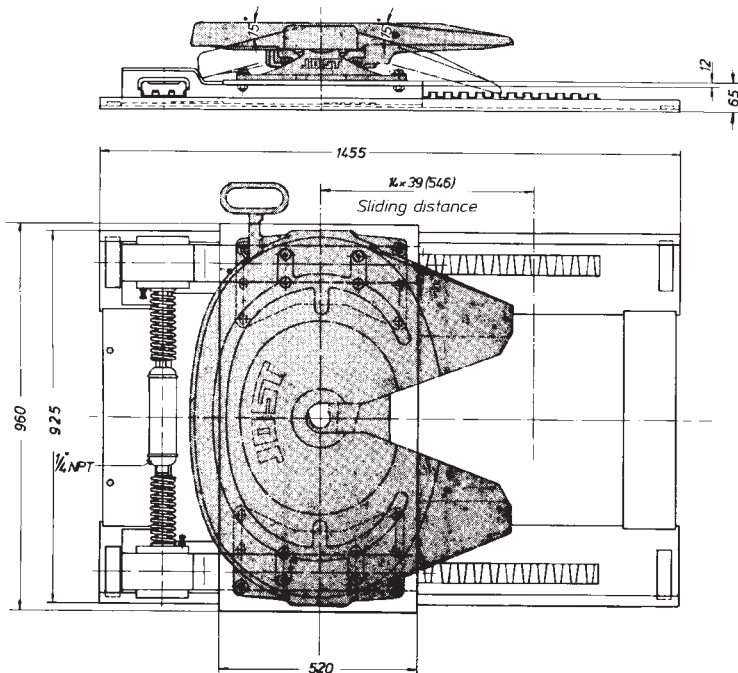
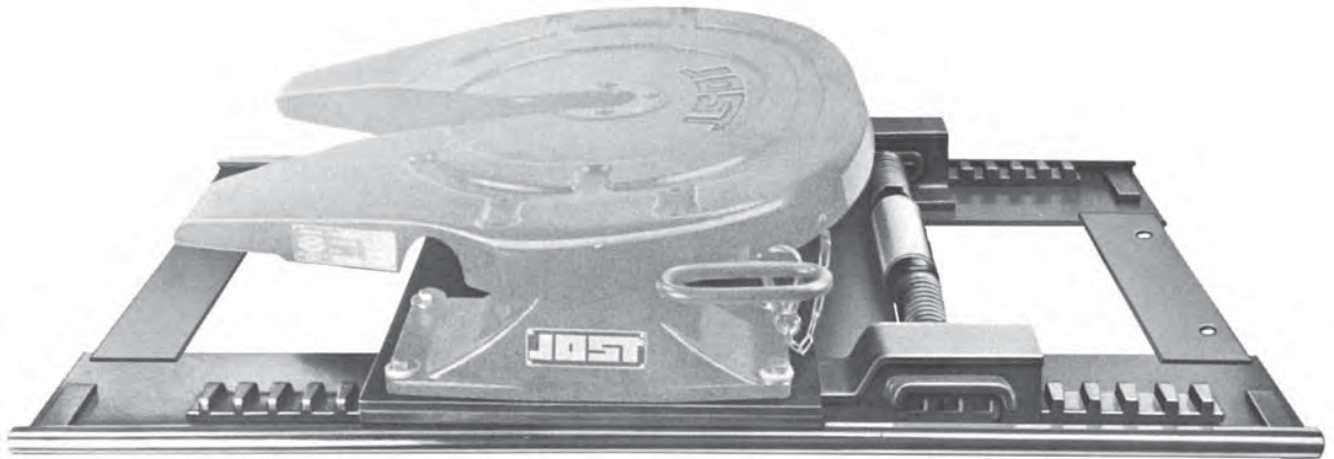


Fig.	Description	Part No.
1	Locking plunger	V 1005-01
2	Handle, compl.	V 1005-35
3	Spring	V 1005-03
4	Spring retainer	V 1005-04
5	Pin	V 1005-05
6	Lever	V 1005-48
7	Tension spring	SK 1238/1
8	Lever	V 1005-139
9	Operating handle	V 1005-183
10	Hexagon screw, compl.	V 1021-49
11	Hexagon screw, compl.	V 1021-09
12	Washer with split pin	V 1021-10
13	Spring spacer, clamping sleeves	V 1021-50
14	Latch, compl.	V 1005-213
15	Hexagon screw, compl.	V 1021-06
16	Slide Upper Part	V 1002-020

Type EV P

All normal fifth wheel couplings can be mounted on the sliding device. Standard mounting holes for the fifth wheel coupling according to DIN standard 74081 and ISO 3842 are provided.



Load on main plate	18,000 kg
Total weight of articulated unit	135,000 kg
Weight approx. (without fifth wheel)	175 kg
D-value	190 kN
CRN	26168
For use with JSK 36 CV/150	
D-value	190 kN
CRN	26170
For use with JSK 37 CZ/150	
Base plate to suit European or standard spec	

The complete pneumatic actuating device (items 9 to 14 of spare parts list shown overleaf) is supplied.

The above loads apply to operation on ordinary roads and ordinary operating conditions as they are to be found in Europe. If the fifth wheels are being operated in other territories or under other conditions we would ask you to contact us regarding the type of fifth wheel to be used.

The right to alter specifications is reserved.

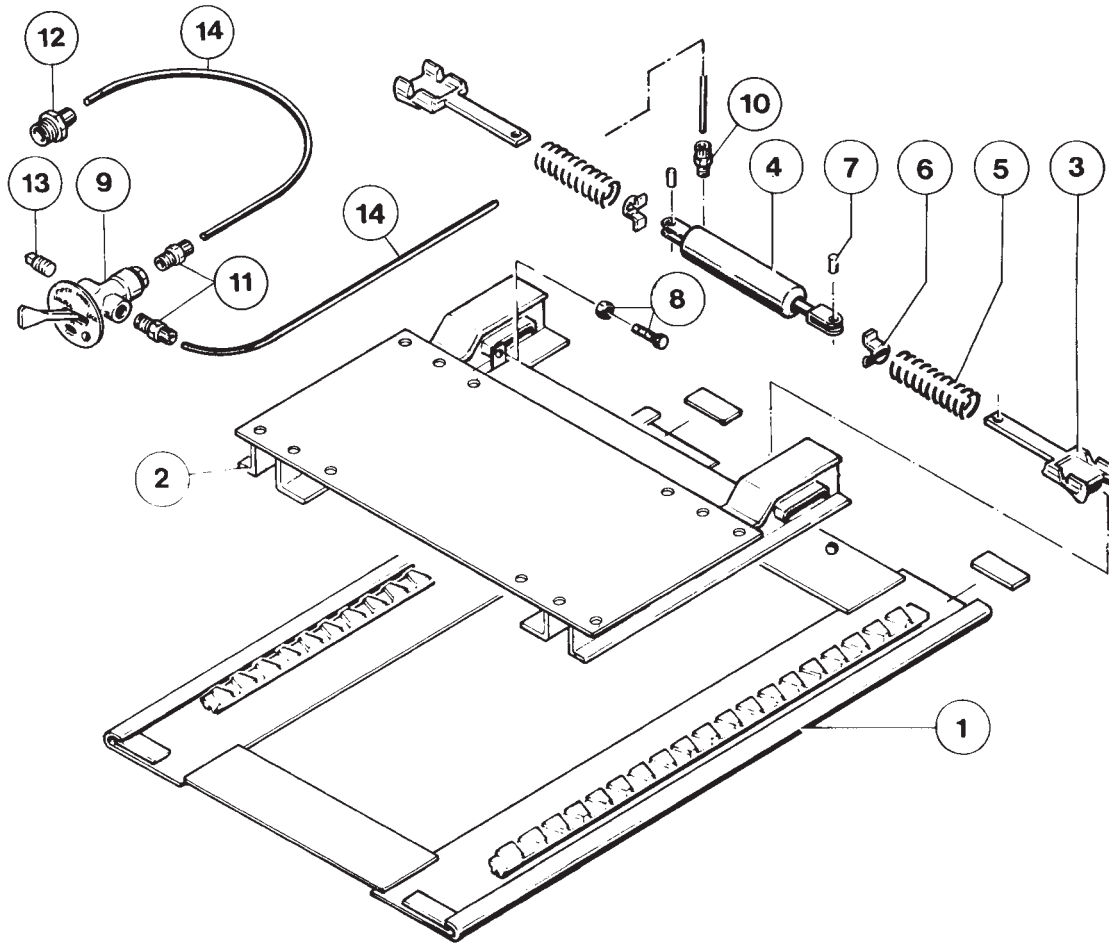
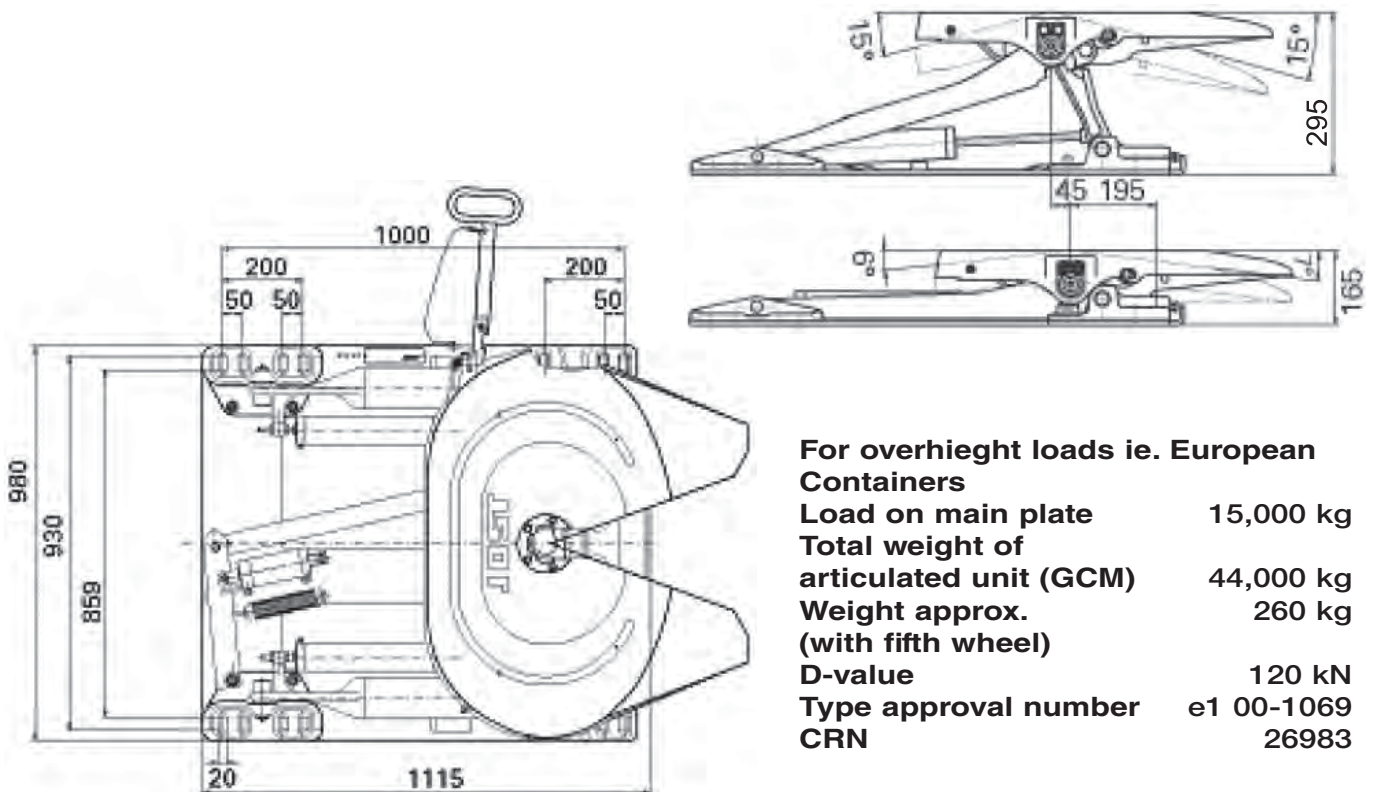
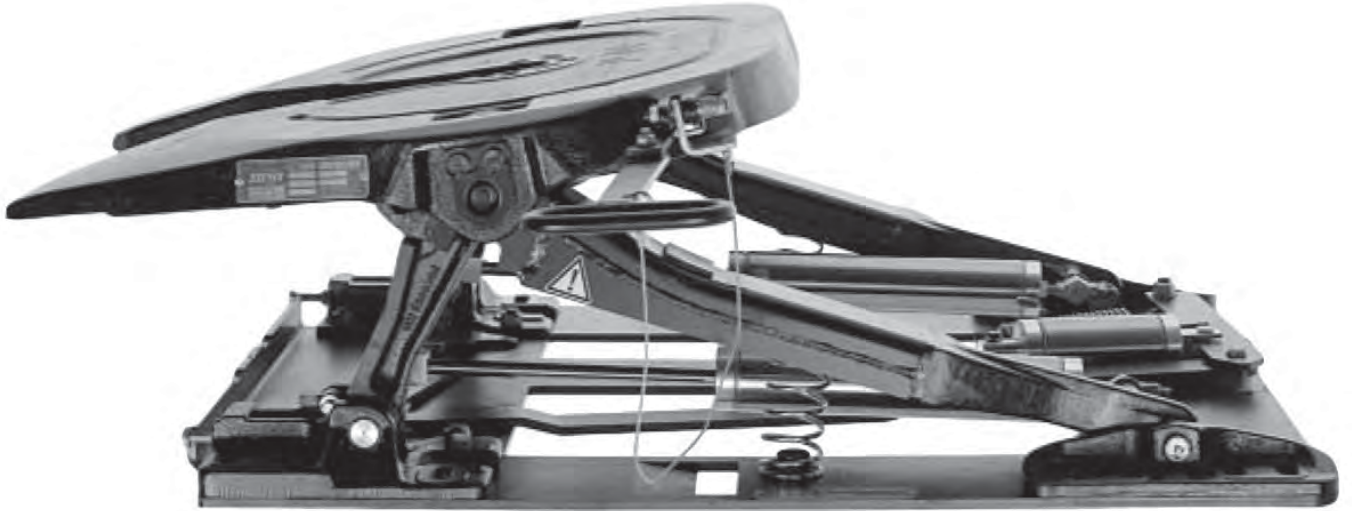


Fig.	Description	Part No.
1	Slider base plate 23"	V 1001-006
2	Slider upper part	V 1002-06
3	Locking plunger	V 1005-01
4	Air-cylinder	V 1021-05
5	Spring	V 1005-03
6	Spring retainer	V 1005-04
7	Pin	V 1005-05
8	Hexagon screw, compl.	V 1021-06
9	Air control valve, compl.	V 1021-18
10	Fitting	V 1021-13
11	Fitting	V 1021-14
12	Fitting	V 1021-15
13	Pipe plug	V 1021-17
14	Nylon airline	V 1021-16

Type DH 200



The above loads apply to operation on ordinary roads and ordinary operating conditions as they are to be found in Europe. If the fifth wheels are being operated in other territories or under other conditions we would ask you to contact us regarding the type of fifth wheel to be used.

The right to alter specifications is reserved.

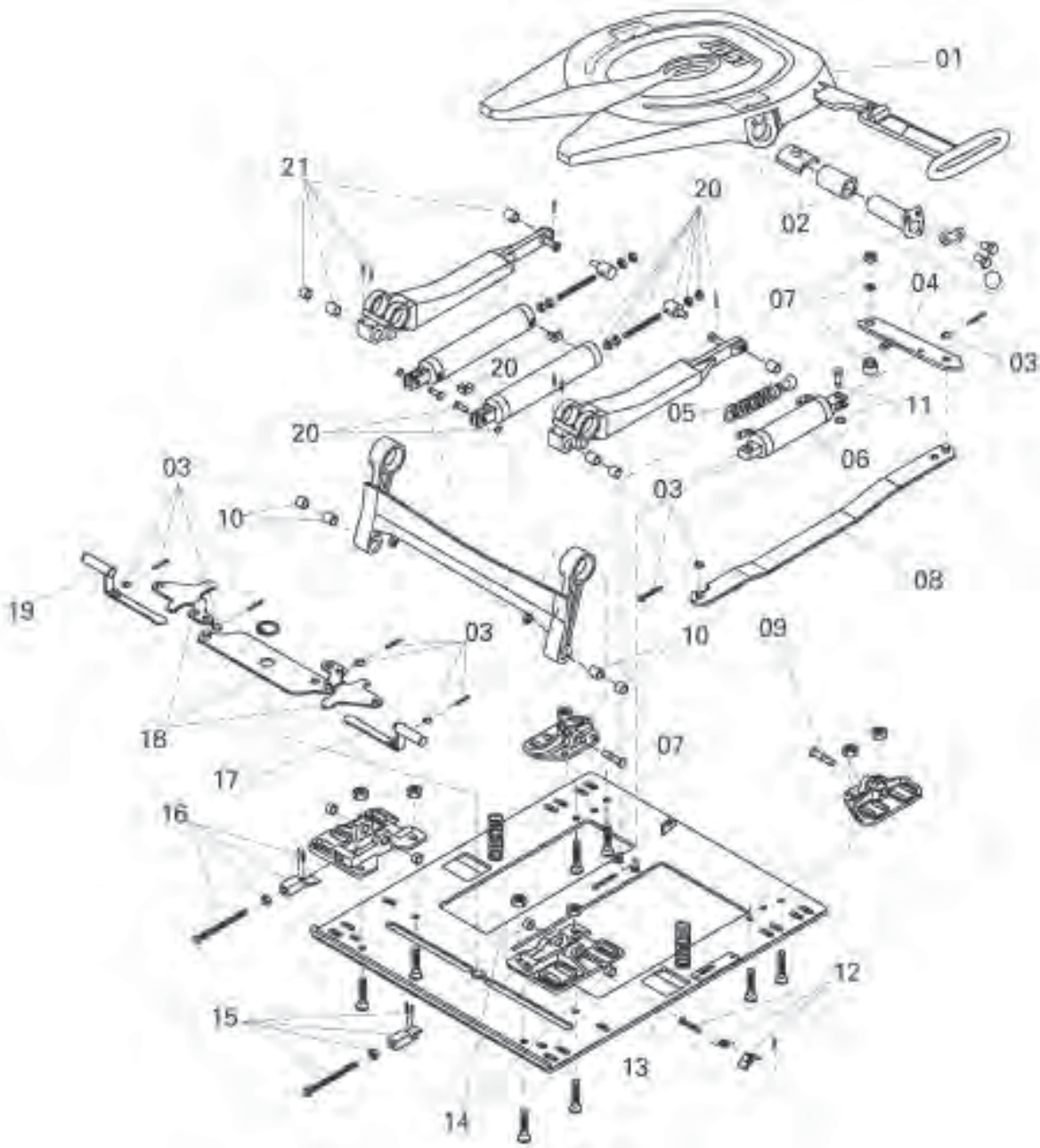


Fig.	Description	Part No
1	Fifth wheel coupling	JSK 37 E/00128cm
2	Fifth wheel coupling bearing, compl.	DH 1019902
3	Split pin, complete	DH 1019903
4	Lever	DHE 1011600
5	Double tension spring	SK 2405-23
6	Closing cylinder	DHE 1011100
7	Spacer bushing, complete	DH 1019907
8	Lever	DH 1019908
9	Pivot pin	DH 1019909
10	Bushing set 1	DH 1019910
11	Bolt complete	DHE 1003100

Fig.	Description	Part No
12	Latch, complete	DH 1019912
13	Spring	DH 1019913
14	Bushing set 2	DH 1019914
15	Wedge right, complete	DH 1019915
16	Wedge left, complete	DH 1019916
17	Locking pin, right	DH 1019917
18	Elbow lever	DH 1019918
19	Locking pin, left	DH 1019919
20	Cylinder, complete	DH 1019920
21	Bushing set 3	DH 1019921

Ballrace Slider



Base Assembly - EVPLP Slider LT

Fifth Wheel - JSK 37 CZ 150 (Refer to page 35)

Over 100kgs lighter than other available products.

735mm of travel.

Total overall height including the fifth wheel of 307mm.

Total length of 2060mm.

Weight: 435kgs

Pneumatically operated.

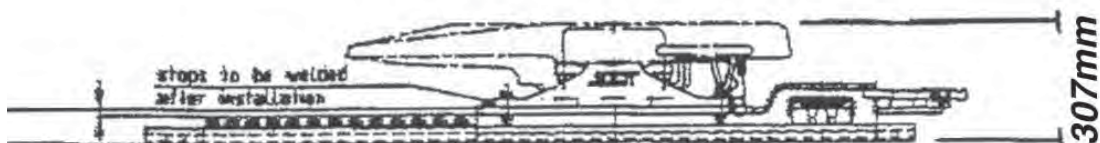
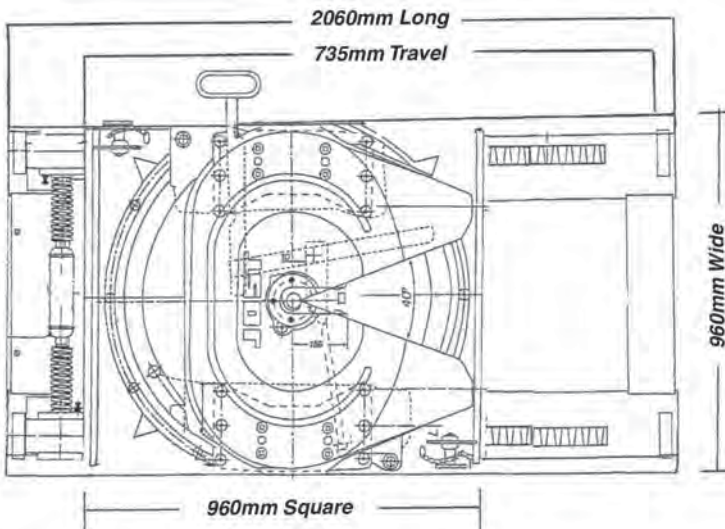
CRN's 24836 and 26170 apply.

Supplied as standard with the proven tried and tested JSK 37 CZ Fifth Wheel - "The Industry Standard"

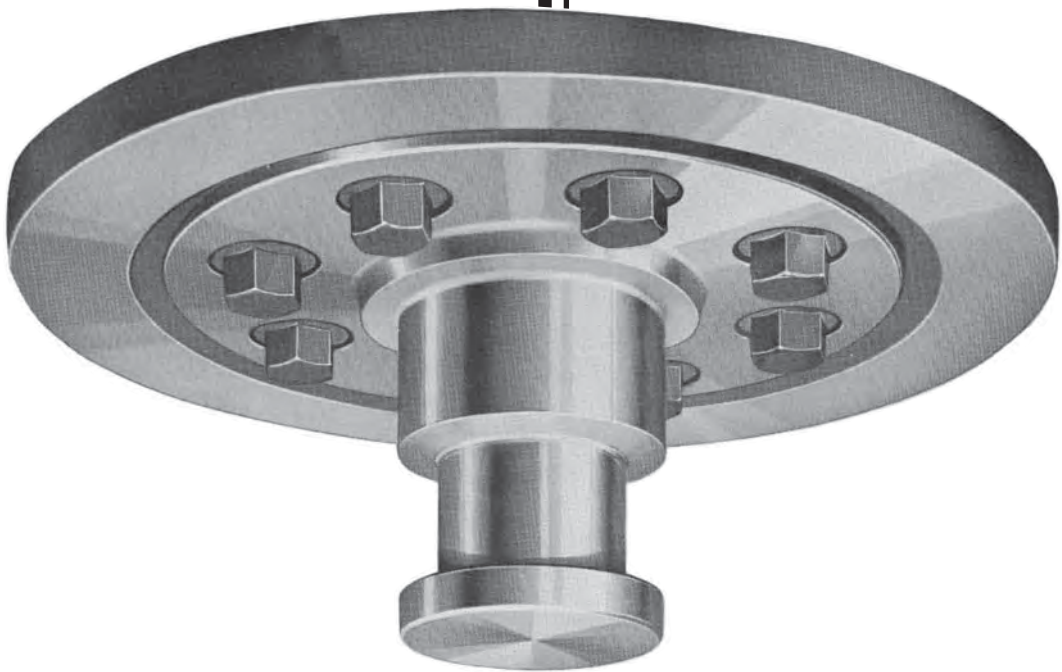
Manufactured using only genuine Jost components.

Vertical loading of 20,000kgs.

Will suit all North American and European chassis widths and A-trailers.



JOST



King Pins

Technical Circular

Jost King Pins - Bolt Torque

Until recently precise torque wrenches were not commonly available in workshops and garages. Because of this JOST prescribed only torque settings which could not damage the bolts.

The existing torque settings have proved themselves on the test bench (e.g. MOT) and in many years of daily usage, subject to our installation and maintenance instructions being adhered to.

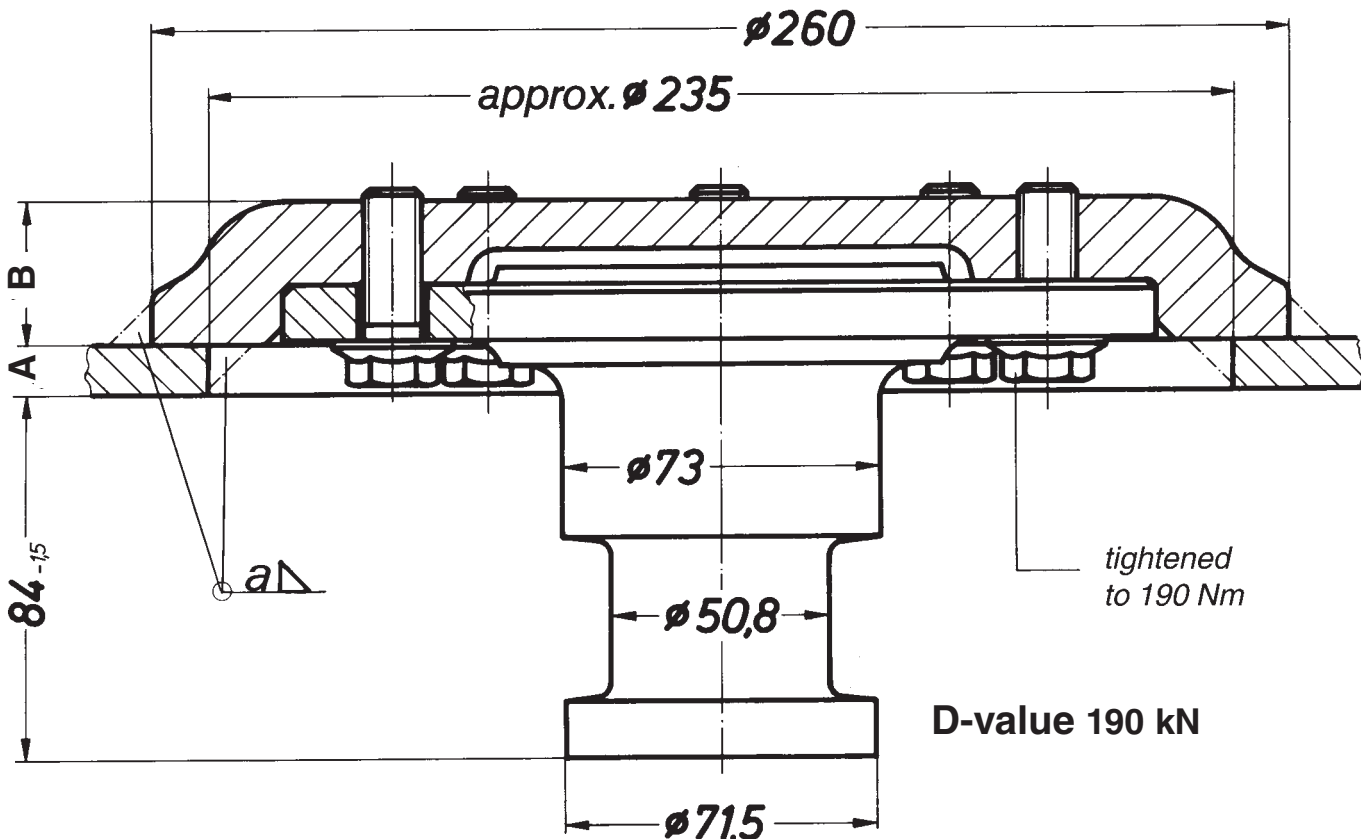
Nowadays the trailer manufacturers and workshops are using more precise torque wrenches, which are regularly calibrated. This is the prerequisite for a higher torque setting, without the danger of the bolt being damaged. The increase in torque will result in an optimum initial stressing force of the bolt.

The new torque setting will enable the maintenance period to be increased to max. 50,000km resp. six months in line with that of the fifth wheel. The conditions of usage and the instructions of the trailer builders must however be observed.

New JOST torque settings:

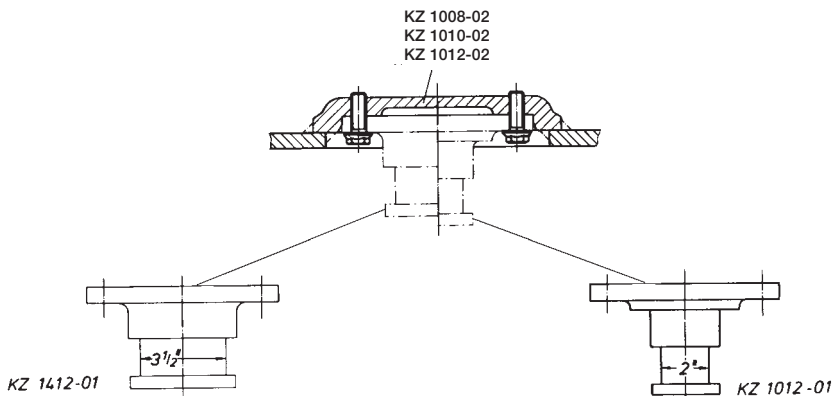
Part no.	Bolt Size	Torque Nm	King pin type
KZE 1012-03	M14 x 35	190 ± 10	KZ 1008-1012 KZ 1410, KZ 1412
KZE 0912-03	M14 x 34	190 ± 10	KZ 0906 - KZ 0912 KZ 1712
KZE 1416-03	M16 x 45	280 ± 15	KZ 1416, KZ 2816
KZE 1016-06	M20 x 50	500 ± 30	KZ 1016, KZ 1516

KZ 1008 - KZ 1012



Components

Skid plate thickness A	Type	Thickness B	Retention	King pin plate	Welding seam thickness a	CRN
8 mm	KZ 1008	37mm	KZ 1008-02	KZ 1012-01	6 mm	24156
10 mm	KZ 1010	34mm	KZ 1010-02		7 mm	24156
12 mm	KZ 1012	33mm	KZ 1012-02		7 mm	24156



B.Double & Road train Rated

Dimensions according to DIN 74080 and ISO 337

JOST king pins can be used in self steering axle systems.

Mounting must be carried out according to the instructions.

3 1/2" & 2" king pins are easily interchangeable

The right to alter specifications is reserved.

8/08

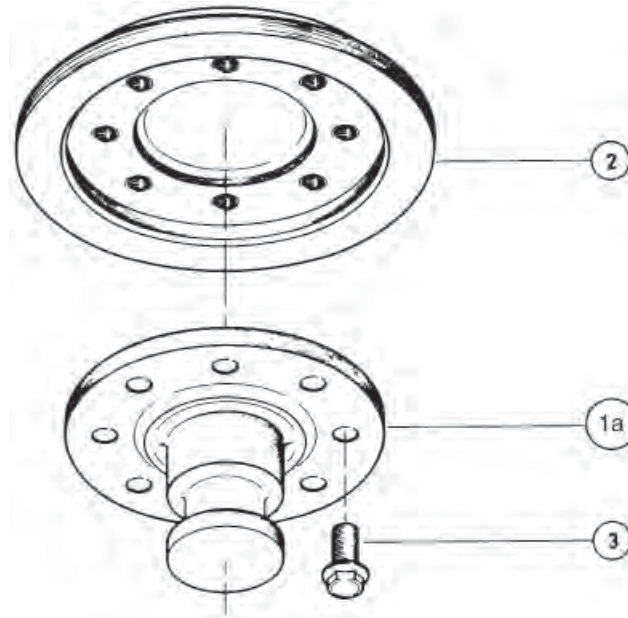
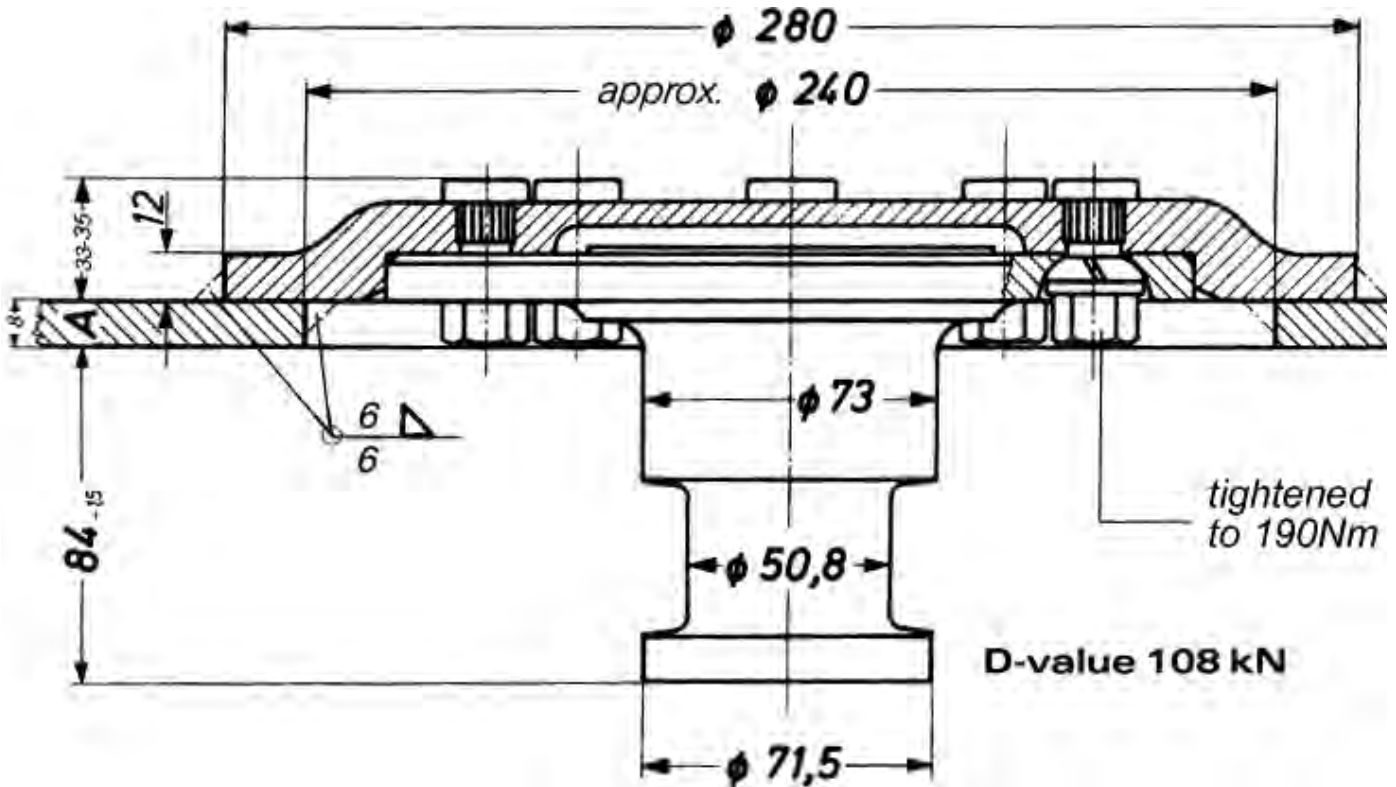


Fig.	Description	Part No.
1a	King pin 2" Dia	KZ 1012-01
2	Retention plate for: 12 mm skid plate 10 mm skid plate 8 mm skid plate	KZ 1012-02 KZ 1010-02 KZ 1008-02
3	Self-securing bolt	KZE 1012-03

Type KZ 0908



For single trailer use only

Type	Colour	King pin	CRN
KZ 0908	white	KZ 0912-01	24857

Dimensions according to DIN 74080 and ISO 337
 JOST king pins can be used in self steering axle systems.
 Mounting must be carried out according to the instructions.

The right to alter specifications is reserved.

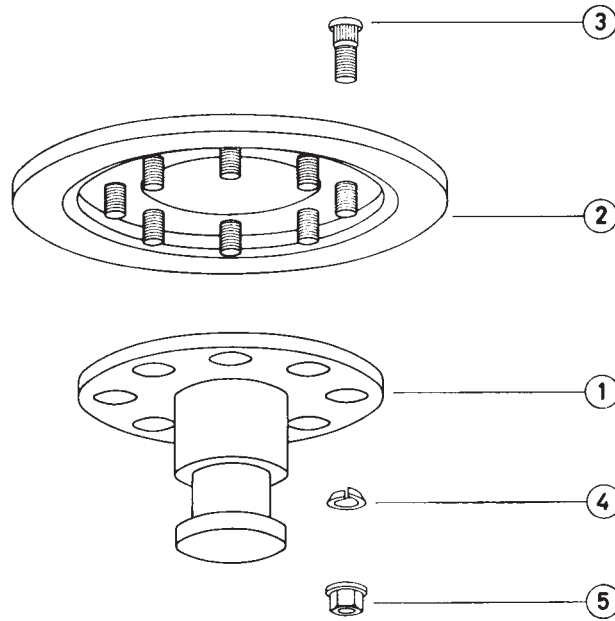
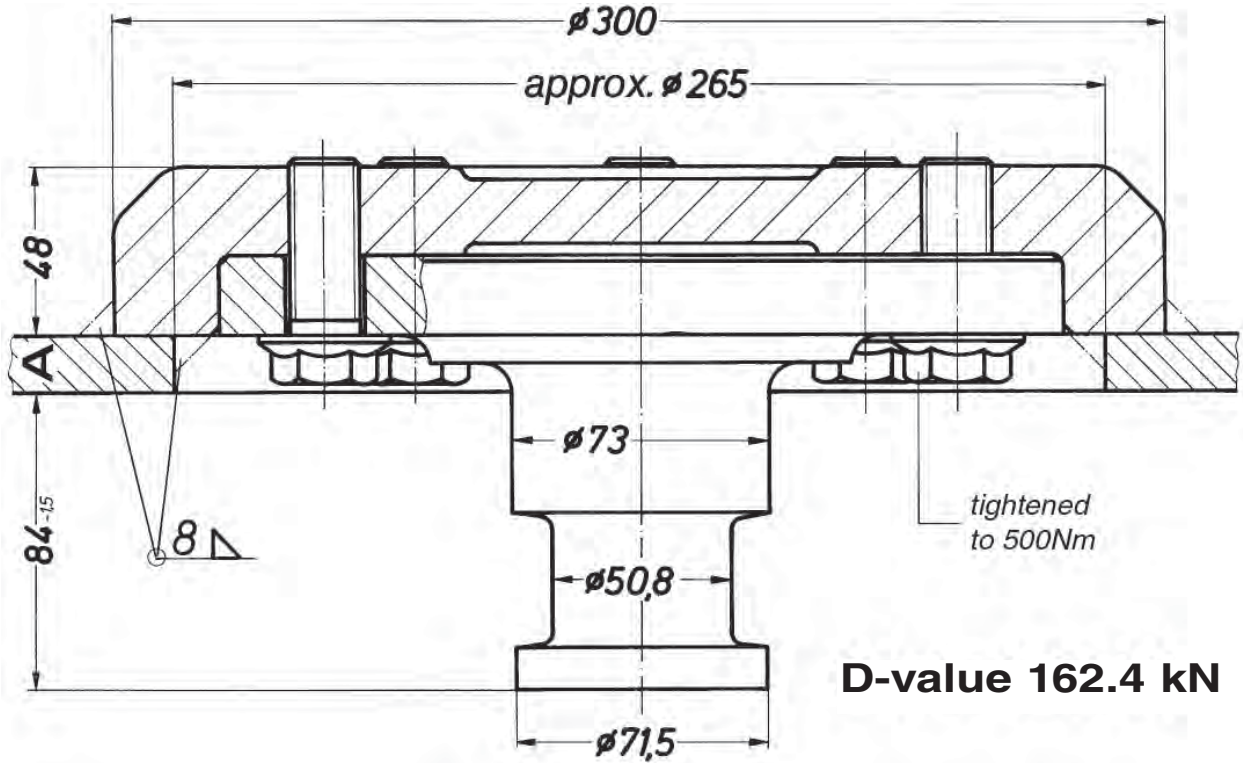
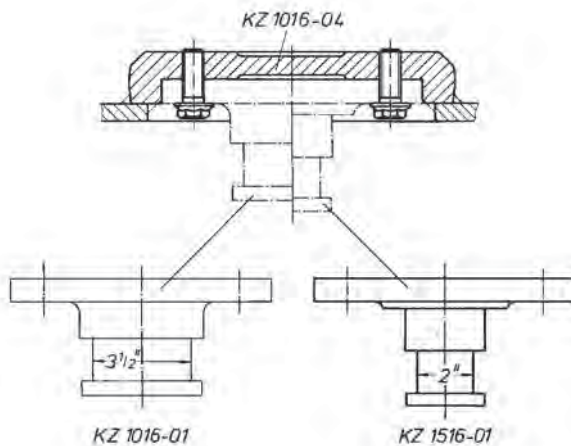


Fig.	Description	Part No.
1	King pin	KZ 0912-01
2	Retention plate 8 mm skid plate	KZ 0908-04
3	Bolt	KZE 0912-03
4	Spring washer C 14,5	KZE 0912-05
5	Nut B 14	KZE 0912-06

Type KZ 1516



Skid plate thickness A	Type	Components		
		Retention plate	King pin	CRN
16mm	KZ 1516	KZ 1016-02	KZ 1516-01	24344



Dimensions according to DIN 74080 and ISO 337

JOST king pins can be used in self steering axle systems.

Mounting must be carried out according to our instructions.

3 1/2'' and 2'' king pins are easily interchangeable.

The right to alter specifications is reserved.

8/08

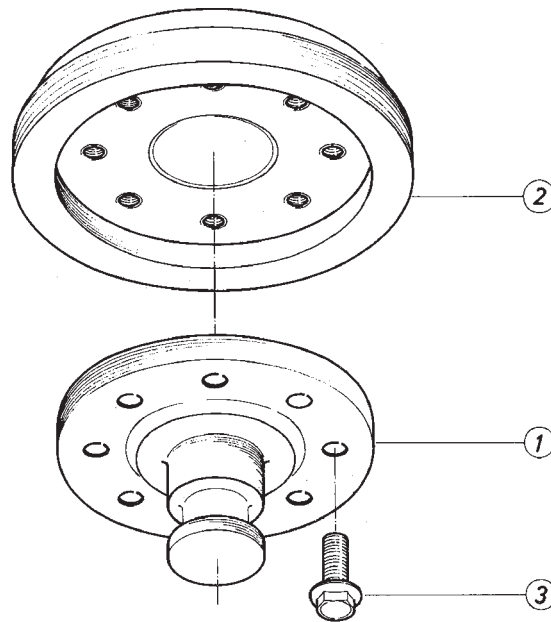
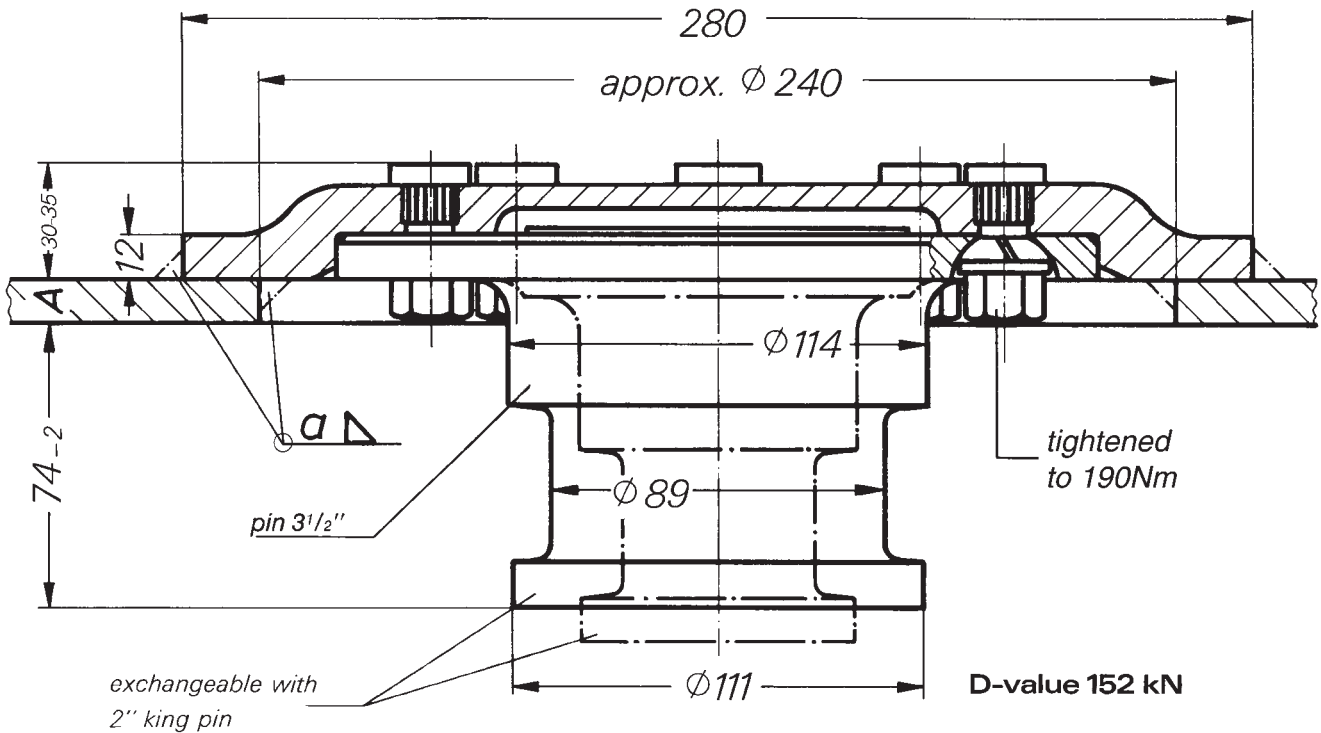


Fig.	Description	Part No.
1	King pin	KZ 1516-01
2	Retention plate	KZ 1016-02
3	Self-securing bolt	KZE 1016-06
2/3	Retention plate compl. with bolts	KZ 1016-04

Type KZ 1706-1712



Skid plate thickness A	Components			Welding seam thickness A	Type approval number NL	CRN
	Type	Retention plate	King pin			
8 mm	KZ 1708	KZ 0908-04	KZ 1712/01	6 mm	RDW 17010221	24856

Dimension according to DIN 74083 and ISO 4086

JOST king pins can be used in self steering axle systems.
Mounting must be carried out according to the instructions.

The right to alter specifications is reserved.

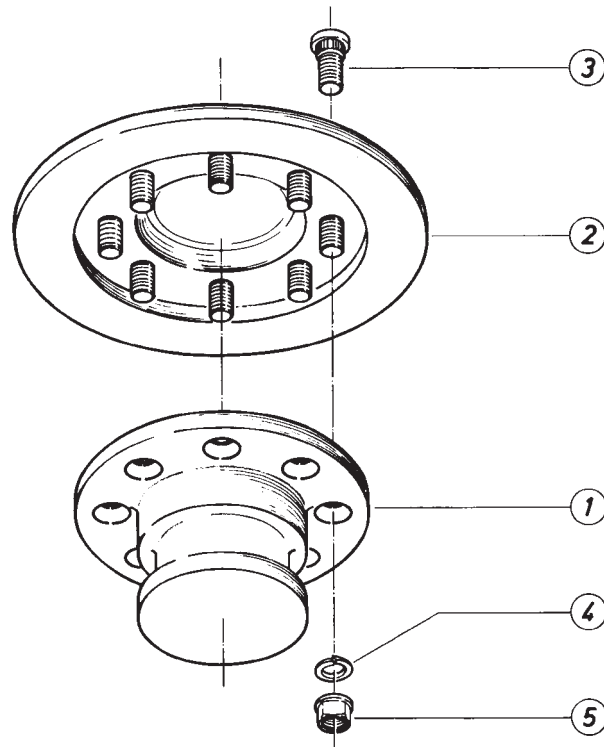
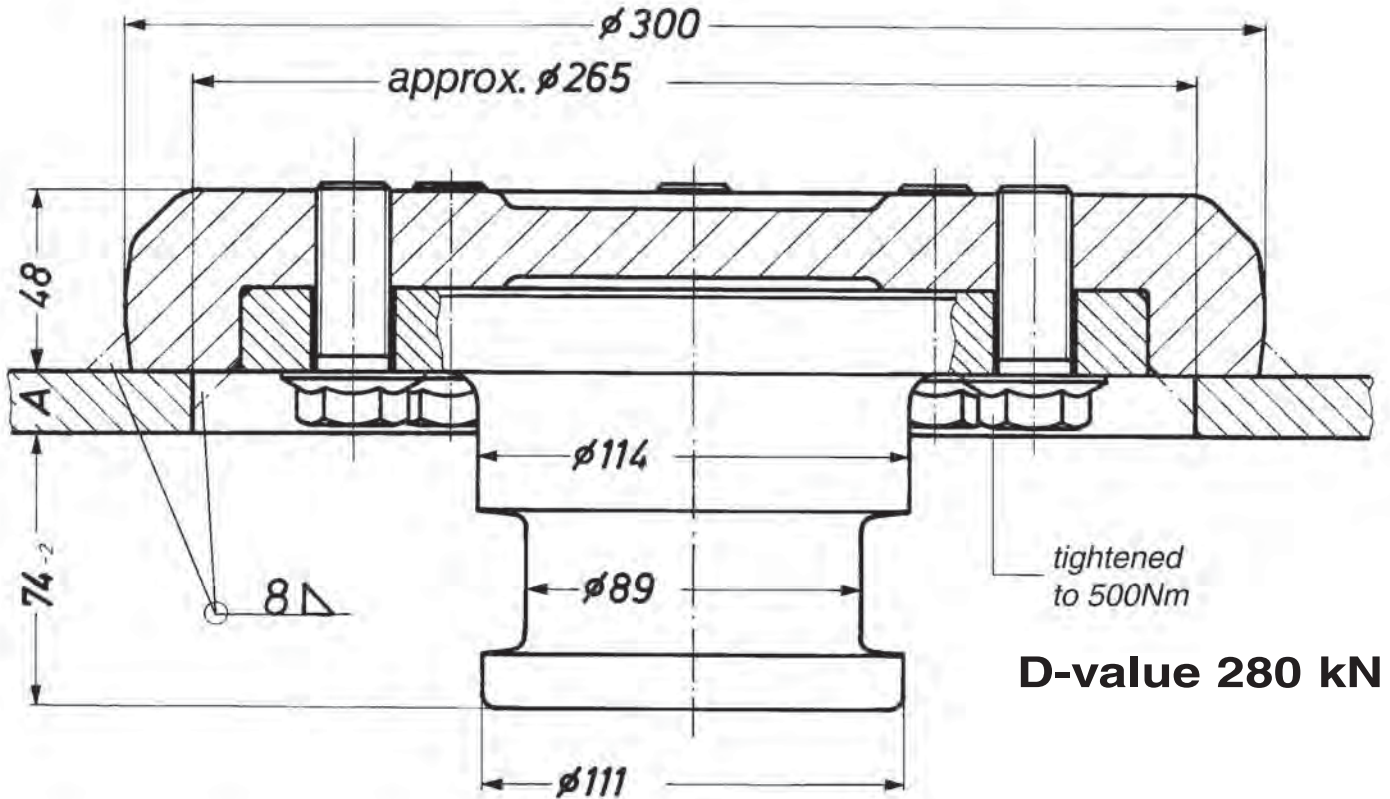


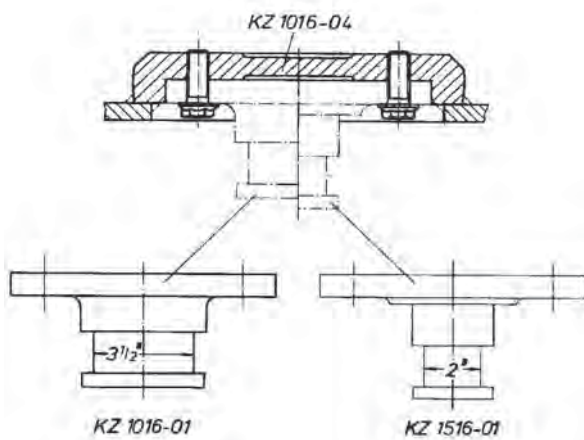
Fig.	Description	Part No.
1	King pin	KZ 1712-01
2	Retention plate compl. with bolts, nuts and spring washers for:	
2	12 mm skid plate	KZ 0912-04
2	10 mm skid plate	KZ 0910-04
2	8 mm skid plate	KZ 0908-04
2	7 mm skid plate	KZ 0907-04
2	6 mm skid plate	KZ 0906-04
3	Bolt	KZE 0912-03
4	Spring washer C 14,5	KZE 0912-05
5	Nut B 14	KZE 0912-06

Type KZ 1016



D-value 280 kN

Skid plate thickness A	Type	Components		
		Retention plate	King pin	CRN
16mm	KZ 1016	KZ 1016-02	KZ 1016-01	24292



Dimensions according to DIN 74083 and ISO 4056
 JOST king pins can be used in self steering axle systems.
 Mounting must be carried out according to our instructions.

3 1/2" and 2" king pins are easily interchangeable.

The right to alter specifications is reserved.

8/08

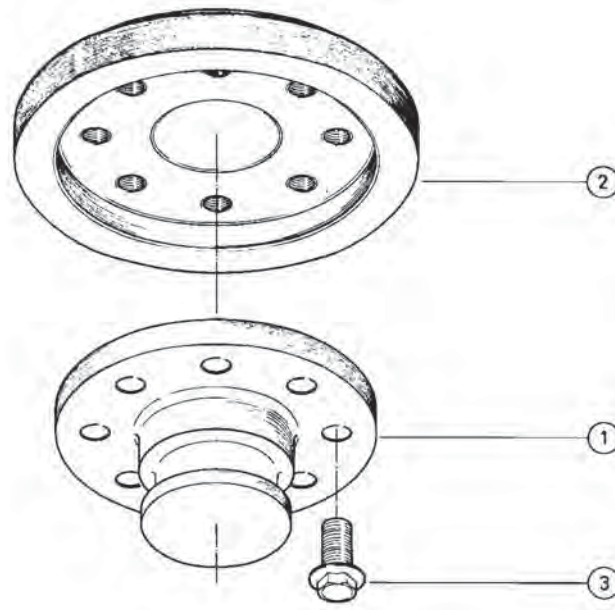
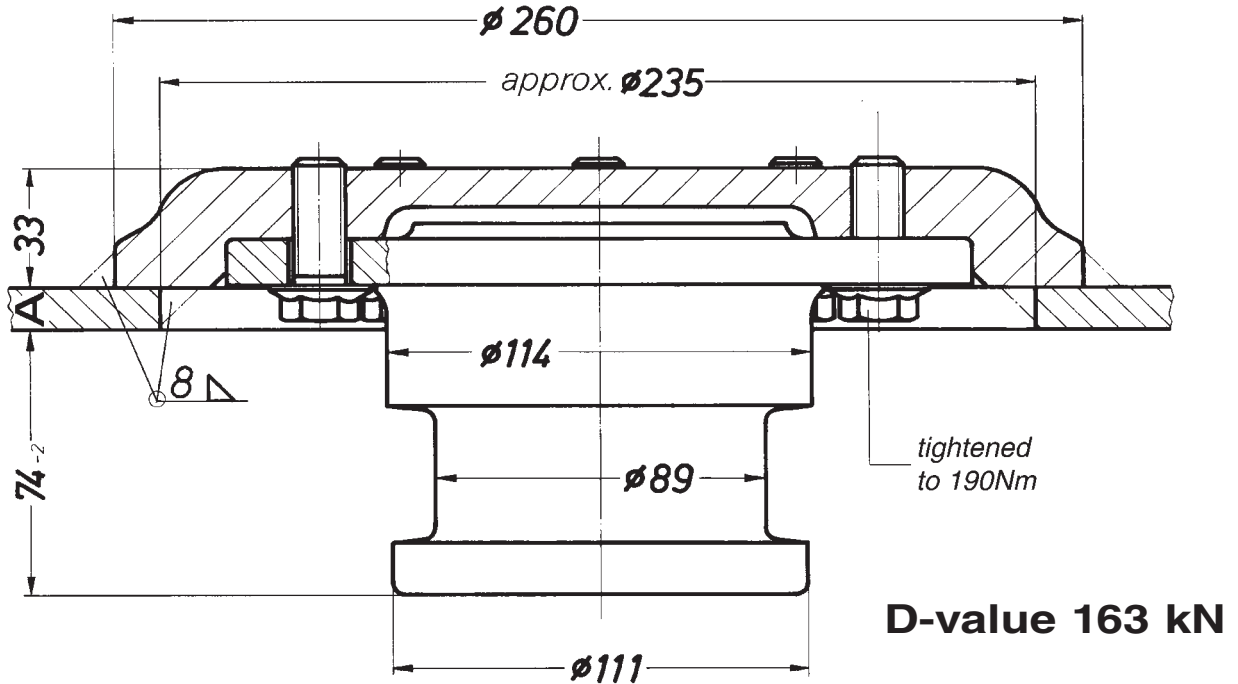
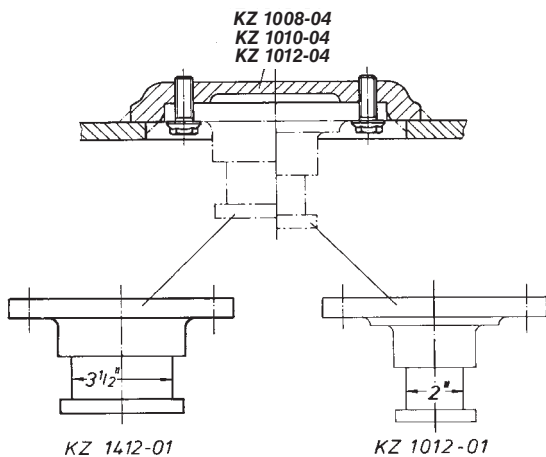


Fig.	Description	Part No.
1	King pin	KZ 1016-01
2	Retention plate	KZ 1016-02
3	Self-securing bolt	KZE 1016-06
2/3	Retention plate compl. with bolts	KZ 1016-04

Type KZ 1408 Type KZ 1410 Type KZ 1412



Skid plate thickness A	Type	Colour	Components		
			Retention plate	King pin	CRN
8mm	KZ 1408	White	KZ 1008-02	KZ 1412-01	24811
10mm	KZ 1410	blue	KZ 1010-02	KZ 1412-01	24811
12mm	KZ 1412	yellow	KZ 1012-02	KZ 1412-01	24811



Dimensions according to DIN 74083 and ISO 4086
 JOST king pins can be used in self steering axle systems.
 Mounting must be carried out according to our instructions.

3 1/2" and 2" king pins are easily interchangeable.

The right to alter specifications is reserved.

8/08

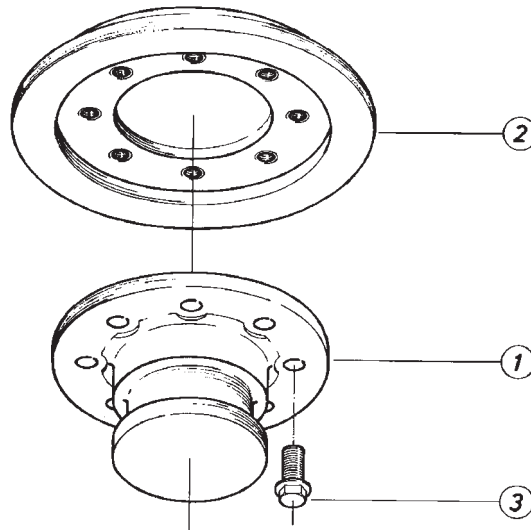
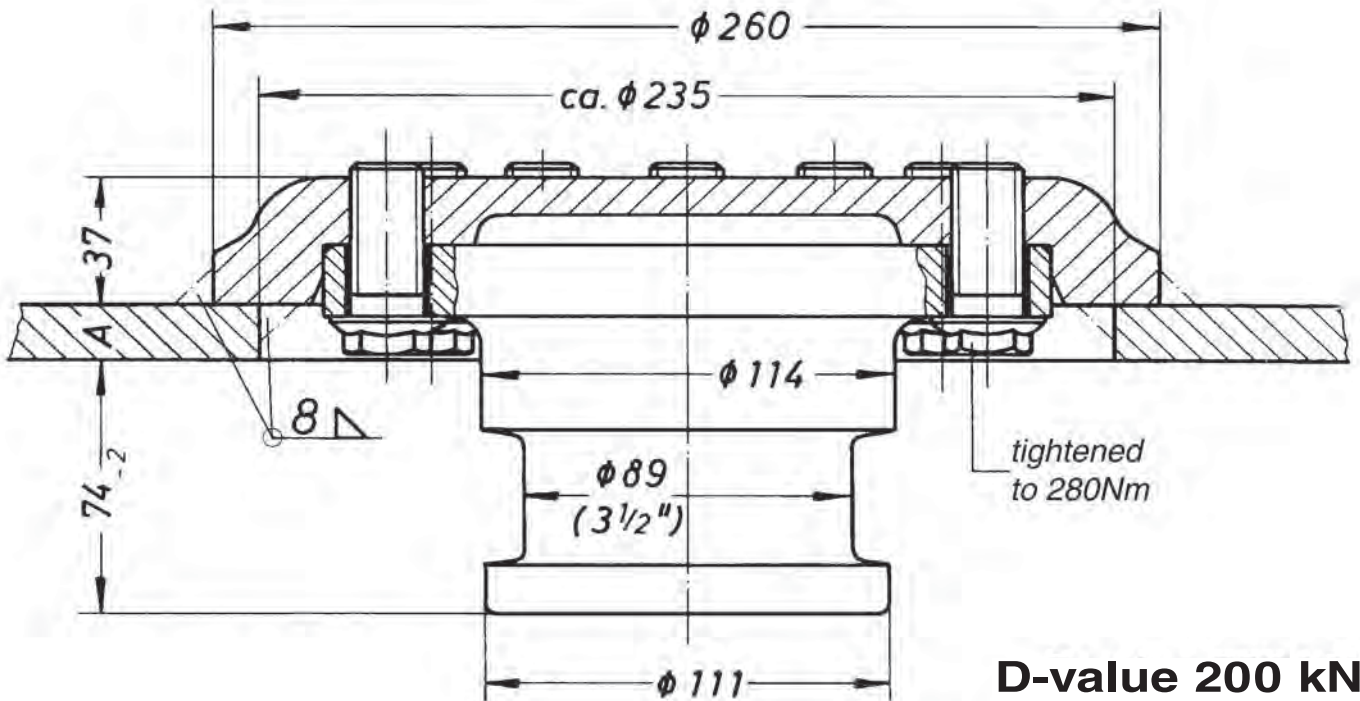
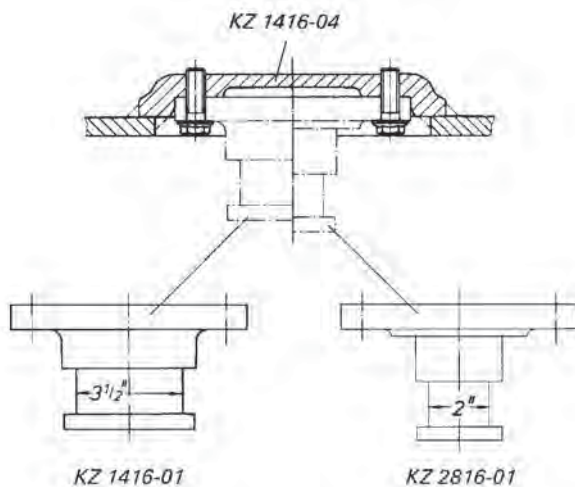


Fig.	Description	Part No.
1	King pin	KZ 1412-01
2	Retention plate for 8 mm skid plate	KZ 1008-02
2	Retention plate for 10 mm skid plate	KZ 1010-02
2	Retention plate for 12 mm skid plate	KZ 1012-02
3	Self-securing bolt	KZE 1012-03
2+3		

Type KZ 1416



Skid plate thickness A	Type	Components		
		Retention plate	King pin	CRN
16mm	KZ 1416	KZ 1416-02	KZ 1416-01	24812



Dimensions according to DIN 74083 and ISO 4086
 JOST king pins can be used in self steering axle systems.
 Mounting must be carried out according to our instructions.

3 1/2" and 2" king pins are easily interchangeable.

The right to alter specifications is reserved.

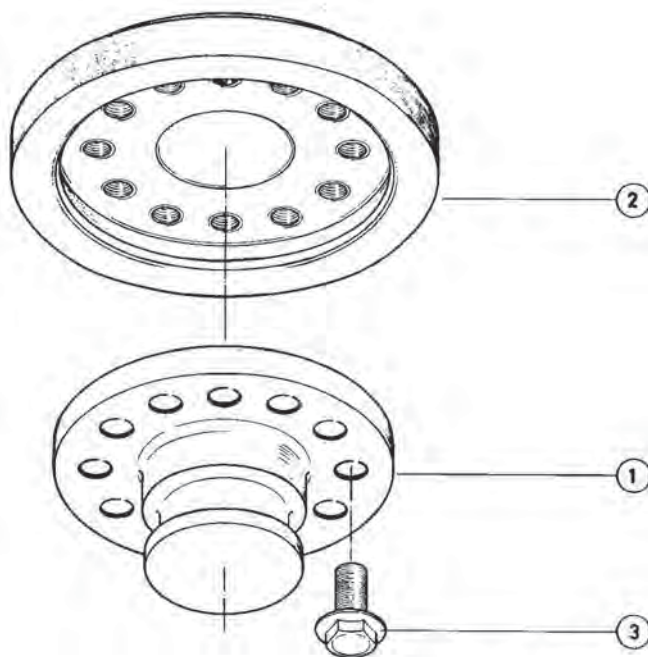
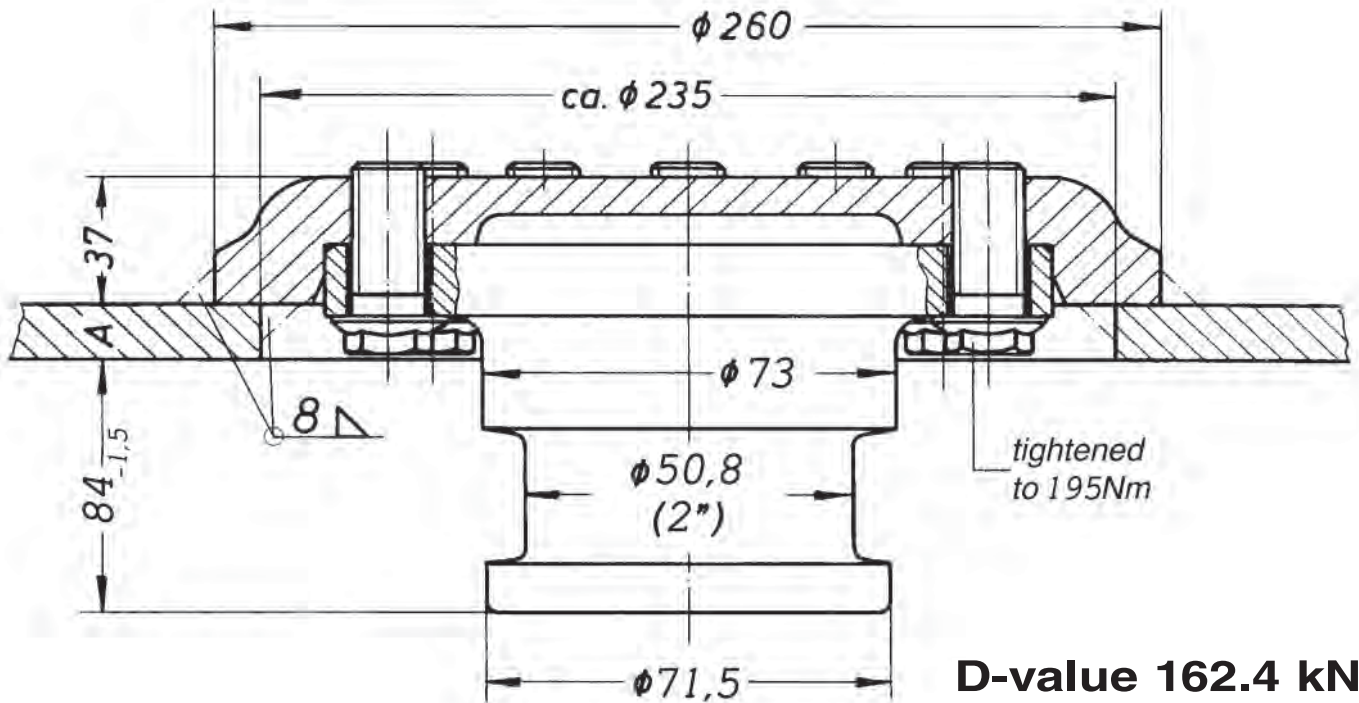
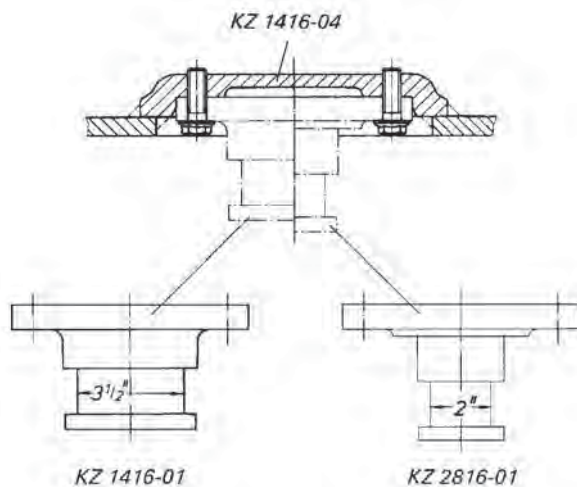


Fig.	Description	Part No.
1	King pin	KZ 1416-01
2	Retention plate	KZ 1416-02
3	Self-securing bolt	KZE 1416-06
2/3	Retention plate compl. with bolts	KZ 1416-04

Type KZ 2816



Skid plate thickness A	Type	Components	
		Retention plate	King pin
16mm	KZ 2816	KZ 1416-02	KZ 2816-01



Dimensions according to DIN 74080 and ISO 337
 JOST king pins can be used in self steering axle systems.
 Mounting must be carried out according to our instructions.

3 1/2" and 2" king pins are easily interchangeable.

The right to alter specifications is reserved.

8/08

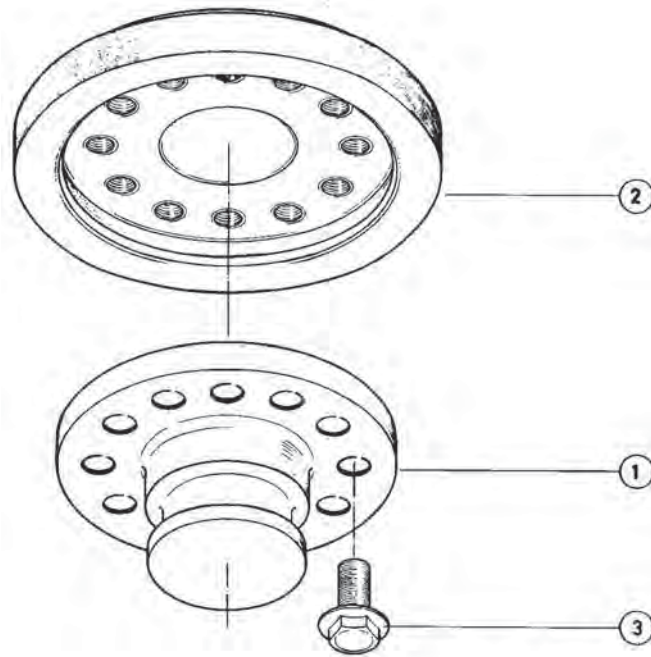
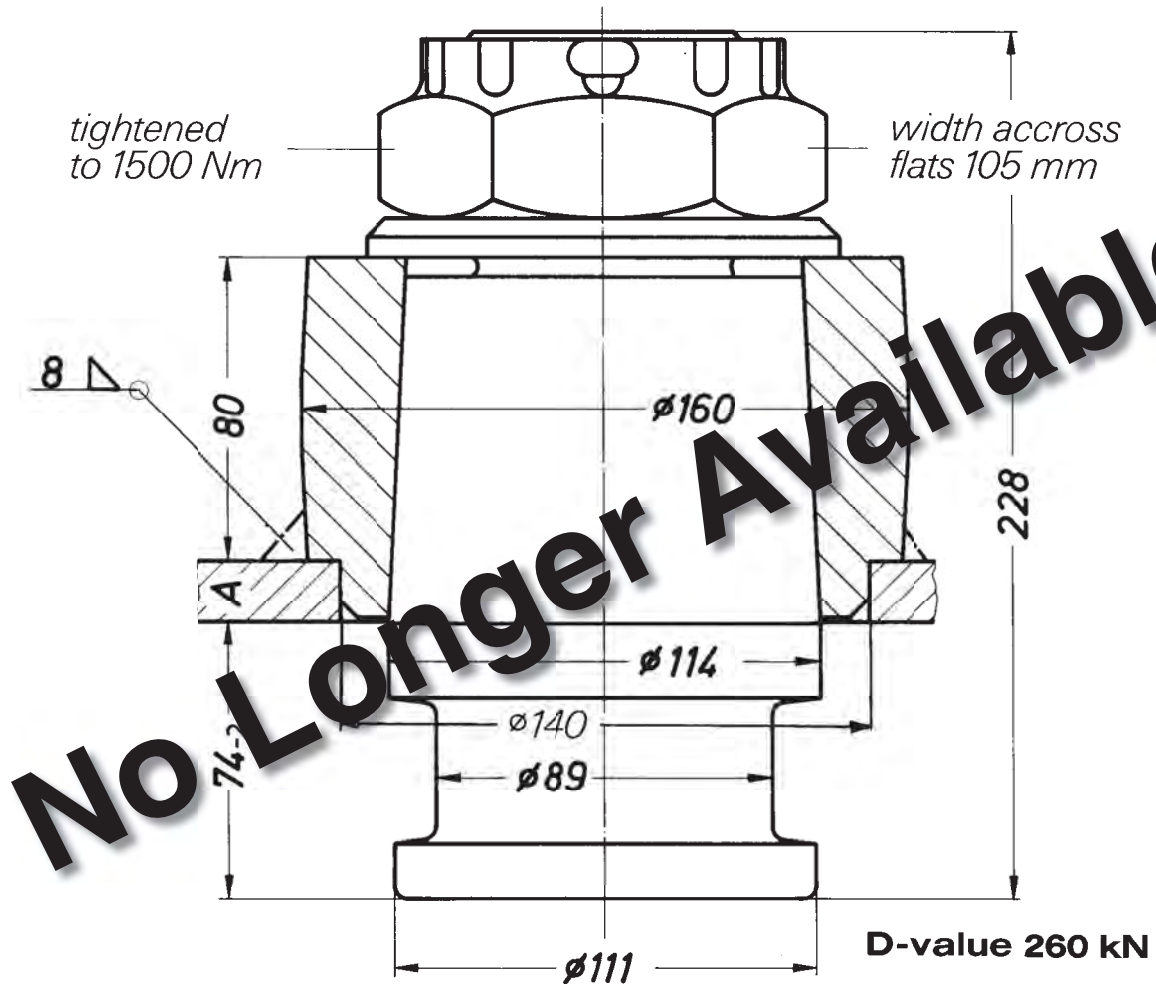


Fig.	Description	Part No.
1	King pin	KZ 2816-01
2	Retention plate	KZ 1416-02
3	Self-securing bolt	KZE 1416-06
2/3	Retention plate compl. with bolts	KZ 1416-04

Type KZ 1116



Skid plate thickness A	Components			Type approval number		
	Type	Flange	King pin compl.	D	NL	CRN
16mm	KZ 1116	KZ 1116-02	KZ 1116-06	F 3194	RDW 1701 0251	24511

Dimensions according to DIN 74083 and ISO 4086

JOST king pins can be used in self steering axle systems.
Mounting must be carried out according to the instructions.
The right to alter specifications is reserved.

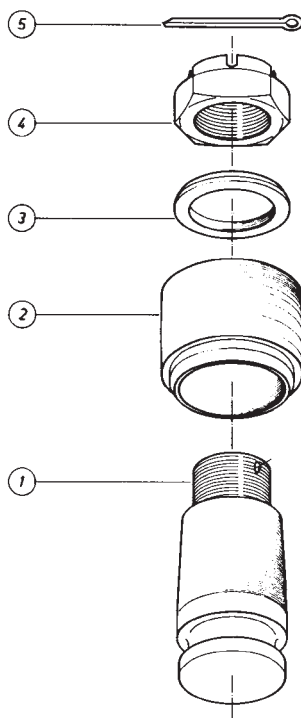
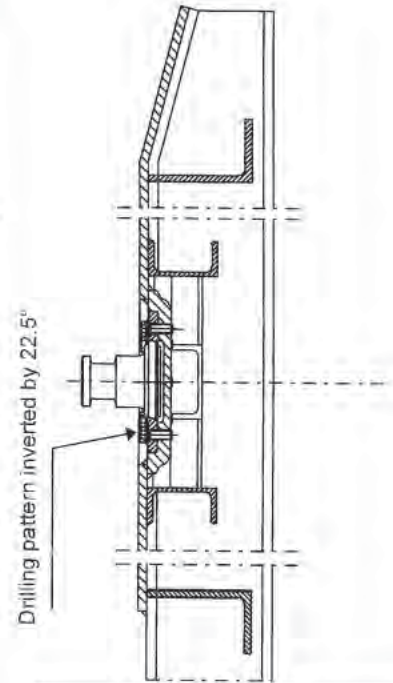
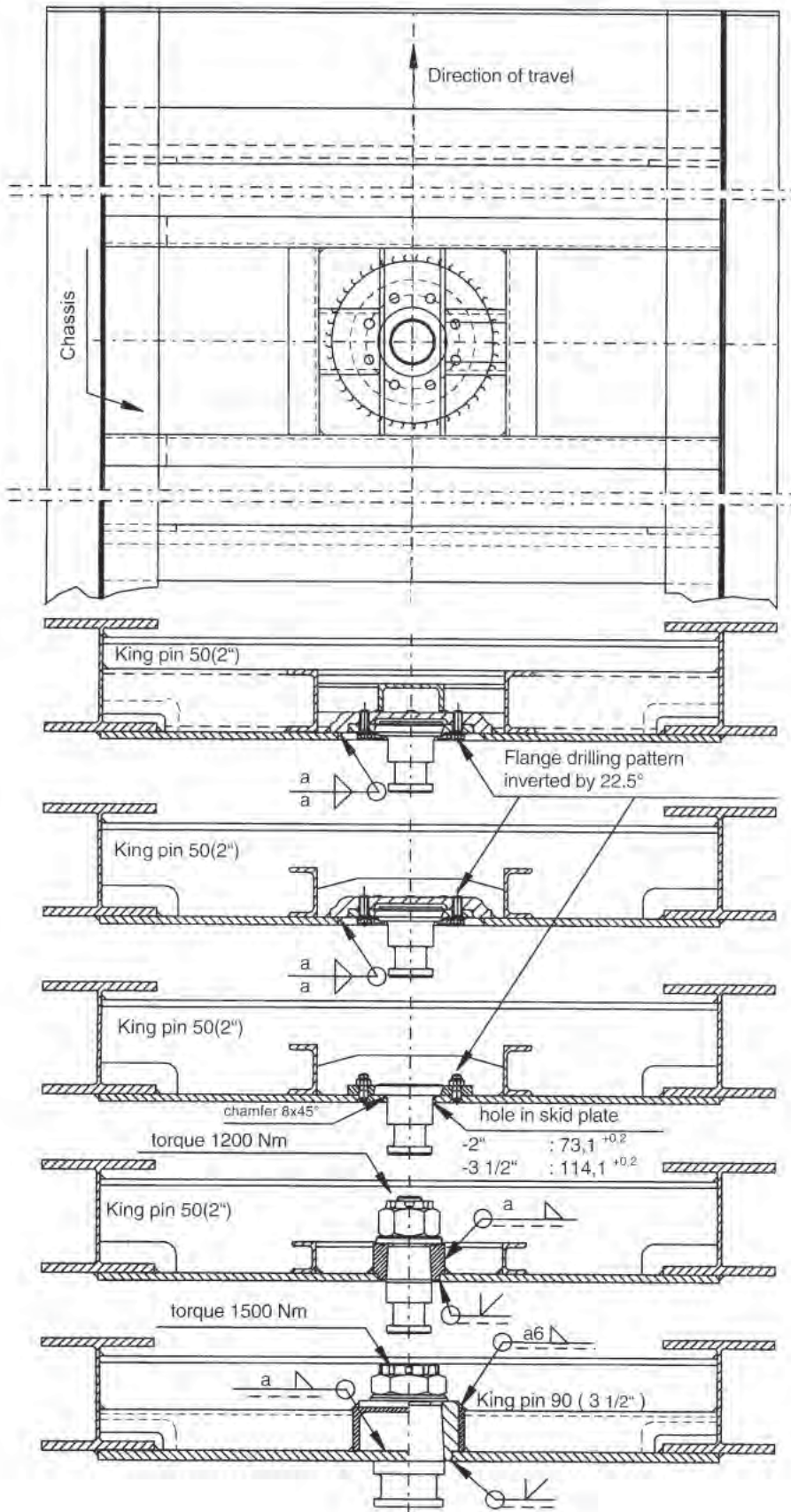
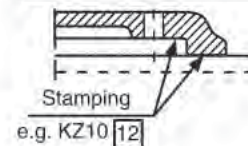


Fig.	Description	Part No.
1	King pin	KZ 1116-01
2	flange	KZE 1116-02
3	Disc	KZE 1116-03
4	Castellated nut	KZE 1116-04
5	Split pin	KZ 1116-05
1/3/4/5	King pin complete with castellated nut, disc and split pin	KZ 1116-06



King pin bolting		
Size of bolt	Torque	Part no.
M14	190Nm	KZE 1012-03 KZE 0912-03
M16	280Nm	KZE 1416-03
M20	500Nm	KZE 1016-06



Thickness of welding seam for welding retention plate/cone		
Stamping	Skid Plate Thickness	Thickness of welding seam a
06	6mm	5mm
07	7mm	5mm
08	8mm	6mm
10	10mm	7mm
12	12mm	8mm
16	16mm	8mm

King pins are safety parts connecting the articulated unit and are (in certain countries) subject to type approval. It is essential that only original JOST spare parts are used. Any alterations invalidate the guarantee and the type approval. Parts which have been damaged or repaired (e.g. by welding) may not be used. When installing the king pins the relevant registration instructions must be adhered to, e.g. in Germany § 19, 20 and 21 of the St VZO (road traffic regulations). The maximum D-value and the model number (e.g. series KZ10) can be found in the relevant data sheets resp. on the tip of the king pin itself.

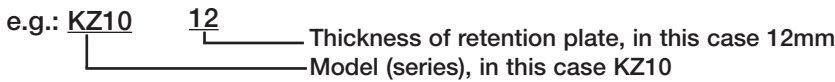
The load data are valid for operation on paved roads and under conditions prevailing in central Europe. For alternative conditions please consult us.

The D-value can be calculated according to DIN standards 74080 and 74083 by means of the following formula:

$$D+g_x \frac{0.6 \times T \times R}{T + R - U} \quad [\text{kN}]$$

T = maximum permissible total weight or tractor [t].
 (including U)
 R = maximum permissible total weight of semi-trailer {t}
 U = maximum permissible imposed load [t].
 g = 9.81 m/s²

The model number of the king pin is made up as follows:



JOST king pins are manufactured in accordance with the valid international standards, which stipulate amongst other requirements the length of the protruding king pin from the underside of the skid plate. Before the king pin is mounted onto the skid plate, please check both flatness and thickness of the skid plate. The tolerance in the flatness of the part of the skid plate in contact with the fifth wheel must not exceed 2mm. Sharp edges and protruding welding seams are not allowed. The skid plate must cover the supporting surface of the fifth wheel in every position.

Skid plate thickness tolerances in mm, except for model nos. Z1106 to KZ1112 and KZ1116:

6mm	+0.6	7mm	+0.6	8mm	+0.4	10mm	+0.4	12mm	+0.2	16mm	+0.3
	-0.1		-0.1		-0.3		-0.3		-0.5		-0.5

Skid plate thickness tolerances in mm for model nos. KZ1106 to KZ1112 and KZ1116:

6mm	up to	16mm	+0
			-0.3

When welding the retention plate resp. the tapered sleeve the following welding processes and filler materials are acceptable:

Welding process: EII

Filler material:

E 4320 min. A5 DIN1913

Welding process: MAG C or MAG M

optional Filler material:

Gridux S-V5 green resp. S-V4 red (Messer Grieshelm)

Union K52 resp. Union 56 (Thyssen Draht AG)

or E MK 7 resp. E MK 6 (Bohler)

or an alternative welding process and filler material approved by the Road Transport authorities.

The skid plate must be adequately reinforced according to the load.

The method and dimensions of the reinforcement are the responsibility of the trailer builder. In order to achieve sufficient stability we recommend a skid plate thickness of 12mm for 2" king pins and 16mm for 3" king pins (recommended material St 52-3).

The king pins must be installed centrally and at right angles. Tapered king pins must be hammered into place after cleaning the joining area, the castellated nut must then be tightened to the prescribed torque and secured by means of a split pin.

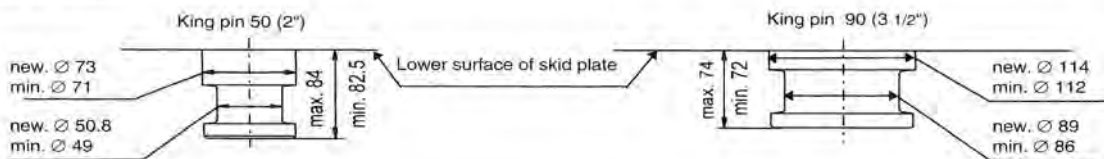


The bolted in king pins must be protected from welding spatter. After welding please check the bolts and (if applicable) nuts for correct torque. The contact and functioning surfaces must be protected before painting.

The king pins and their supports must be checked for wear, damage and cracks according to usage, but at the latest every six months, and replaced if necessary. The bolts and nuts must be checked for the correct torque. Before being put into service the king pin, skid plate and locking mechanism of the fifth wheel coupling must be thoroughly lubricated with high pressure (EP) grease with MoS₂ or graphite additive (e.g. BP L21 M, BP HTEP 1, Esso universal grease M or Shell Retinax AM). The life span of the king pin and the fifth wheel coupling depend to a large extent on their adequate lubrication.

The king pin and the locking mechanism of the fifth wheel are subject to natural wear during operation. Once the limits of wear are reached, the king pins must be replaced by original JOST parts.

Limits of wear:



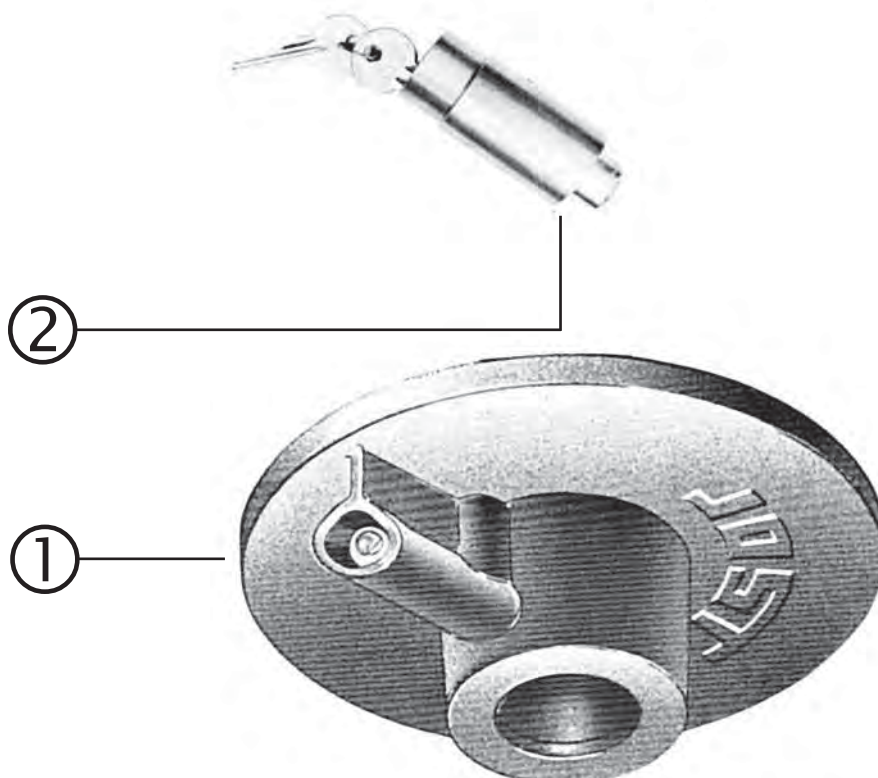
King Pin lock for 2" King Pins DS 2000



Low weight, handy, safe. For all 2" king pins. Completely protects not only the 2" neck, but all mounting bolts. Corrosion-resistant.

Cylinder lock of high quality, dust and water proof. Locking with normal or master keys possible.

King Pin lock for 2" King Pins DS 2000



Fig,	Description	Part No.
1	King pin lock, complete	DS 2000
2	cylinder lock with 2 keys	DS 1000-03

When re-ordering keys or cylinder locks for locking systems having same keys, please state code number.

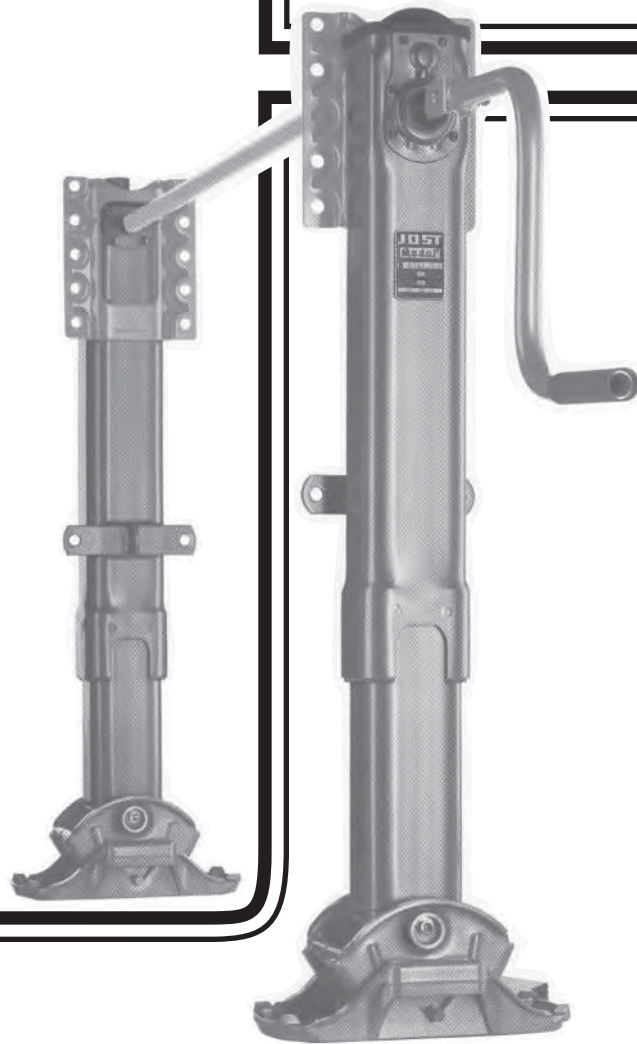


Above item is designed as a NO GO wear limit indicator, for either 50mm or 90mm king pins.

Once king pin can pass through gauge the king pin must be replaced.

Also designed to check king pin protrusion.

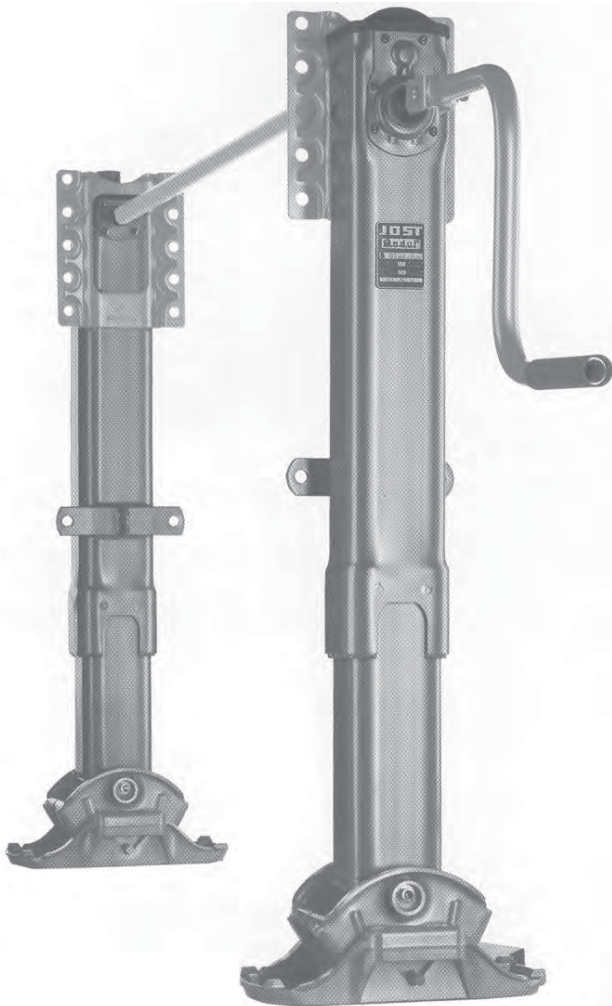
JOST



**Telescopic
landing gear**

Flexibility due to a modular ordering system

The ordering system allows clients to choose and put together a set of legs to suit their needs.

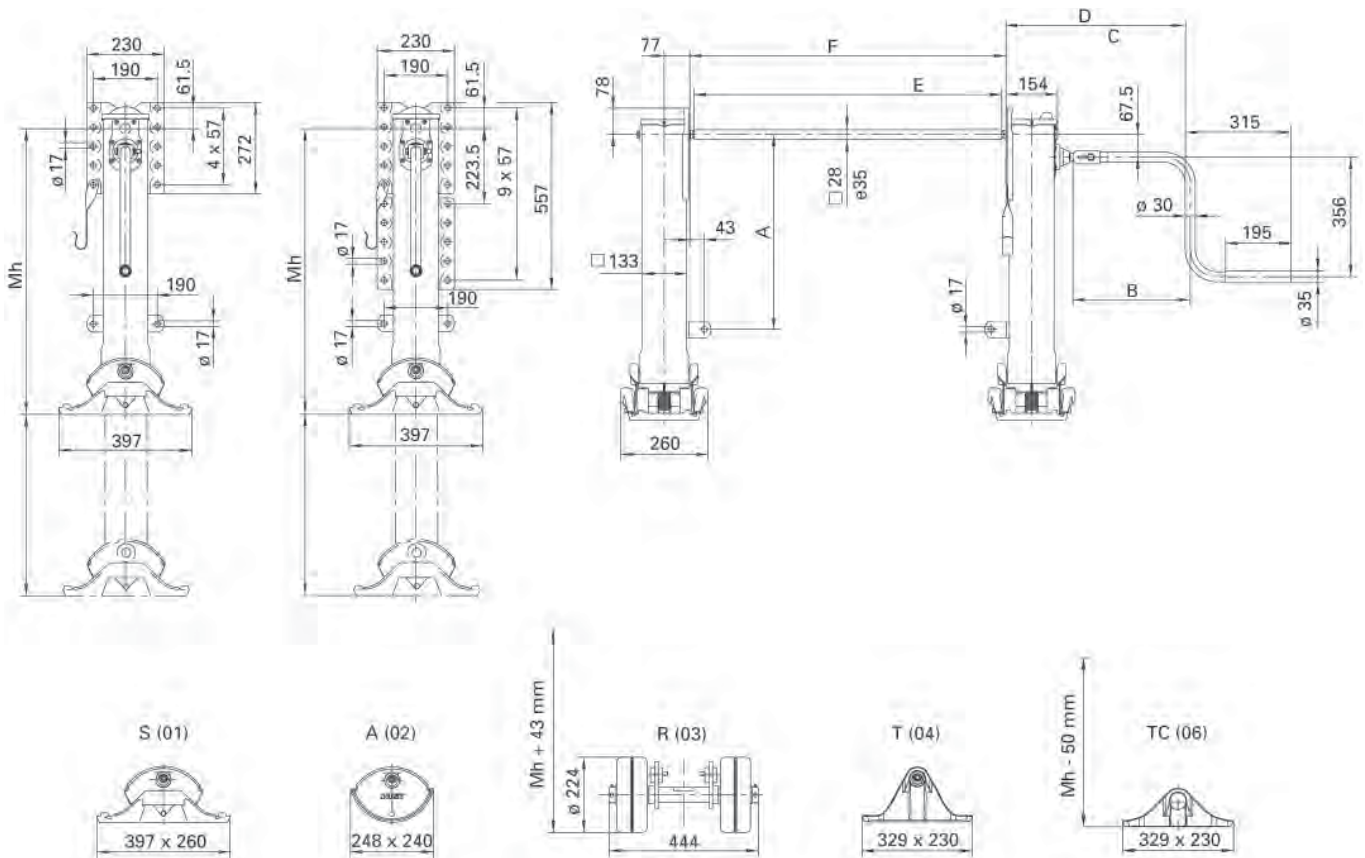


Installation height	
	max. lift
02 = 850mm	520mm
03 = 800mm	470mm
05 = 700mm	400mm

Foot versions		
00 = without foot		
fitted		Part No.
01 = S Foot	compensating foot	JS D01
02 = A Foot	rocking foot	JS D02
03 = R Foot	wheels	JS D03
04 = T Foot	sand shoe	JS D04
06 = Low Profile T		JS D06

Crank handle with parking hook	
03 = 450mm	Optional
05 = 520mm	Standard

Connection Shaft	
10 = 1790mm	Standard



Landing gear

Reference	Mh	Lift	A
M02	850	520	580
M03	800	470	530
M05	700	400	430

Crank handle

Reference	B	C	D
JS U03	450	634	658
JS U05*	520	704	728

Technical data (per set)

Modul B	
Lifting capacity	24t
Static load	50t
	35t with wheels
Lift per turn of handle	
- low gear	0.9mm
- high gear	15.0mm
Crank force at 16t super imposed load	210N

Subject to change in dimensions and design

*No brace lugs are supplied for the combinations of installation height 04, 05, 06, 24 and back plate 02, 03. For loose brace lugs see accessories.

Connection shafts

Reference	E	F
JS L10*	1790	1815

* Standard with set of legs.

Foot versions

00 = without foot	
fitted	
JSD01 = S Foot	compensating foot
JSD02 = A Foot	rocking foot
JSD03 = R Foot	wheels
JSD04 = T Foot	sand shoe
JSD06 = LP T	low profile T foot

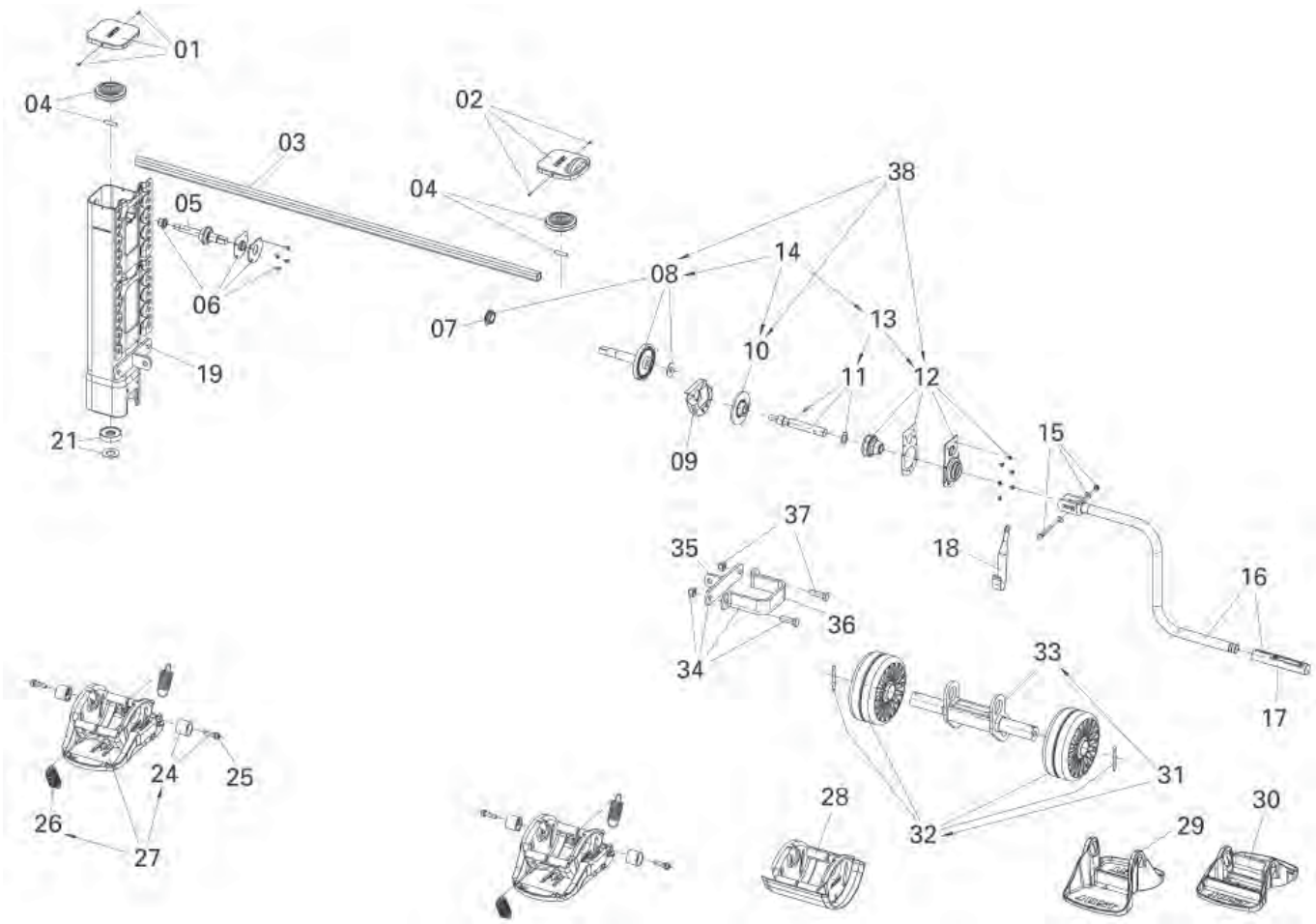


Fig.	Description	Part No.
1	Cover, left with bolts	JS 0046100
2	Cover, right with bolts	JS 0046300
3	See individual components	
4	Bevel gear with bolt	JS 0058600
		Supercedes JS0046000
5	Shaft	JS 0001500
6	Bearing, complete	JS 0046200
7	Bearing	JS 0001800
8	Shaft with bearing	JS 0058700
9	Grease tank	JS 0002000
10	Gear wheel	JS 0055800
11	Crankshaft, complete	JS 0046500
12	Bearing holder, complete	JS 0058800
13	Crankshaft and bearing holder, compl. 12 +11	JS 0056600
14	Drive, complete 8, 10 + 13	JS 0083700
15	Bolt with washers and nuts	JS 0043100
16	See individual components	
17	Crank bushing	JS 0042700
18	Crank parking hook for crank 415-480mm	JS 0040201
	Crank parking hook for crank 520mm	JS 0040202
19	*Mh-02/850 shaft left	JS E0031801
	*Mh-03/800 shaft left	JS E0031802
	*Mh-05/700 shaft left	JS E0031804
21	Axial bearing with washer	JS E0066401

Fig.	Description	Part No.
	*Mh-05/700 shaft left	JS E0031804
21	Axial bearing with washer	JS E0066401
24	Nut and bolt	JS 0043300
25	Bolt	JS 0055300
26	Spring	JS 0012900
27	S foot, complete	JS D01
28	A foot, complete	JS D02
29	T foot, complete	JS D04
30	Tc foot, complete *	JS D06
31	R foot, complete *	JS D03
32	Wheels with split pins	JS 0062200
33	Wheel holder	JS E0067300
34	Clamp with angle	JS E010.010
35	Angle	JS E010.001
36	Clamp	JS E010.002
37	Nut and bolt	JS E020.004
38	Drive repair kit	JS E0059200
Individual Components, Accessories and Repair Kits		
3	Connection shaft 1790mm	JS L10
16	Crank 450mm with parking hook	JS U03
	Crank 520mm with parking hook	JS U05

* With the 06/TC foot version, item 30, the installation height Mh is reduced by 50mm

* With the 06/TC foot version, item 30, the installation height Mh is reduced by 50mm

Modul Series Landing Legs Available in 400mm, 470mm, 520mm Travel Standard outside flange mounting models



9" Diameter Standard Wheels
9" Diameter Standard Wheels
9" Diameter Standard Wheels

Modul R 400mm
Modul R 470mm
Modul R 520mm



329mm x 230mm Sand Shoes (T Feet)
329mm x 230mm Sand Shoes (T Feet)
329mm x 230mm Sand Shoes (T Feet)

Modul T 400mm
Modul T 470mm
Modul T 520mm



Air Suspension Feet (280mm x 240mm)
Air Suspension Feet (280mm x 240mm)
Air Suspension Feet (280mm x 240mm)

Modul A 400mm
Modul A 470mm
Modul A 520mm



Compensating Feet (397mm x 260mm)
Compensating Feet (397mm x 260mm)
Compensating Feet (397mm x 260mm)

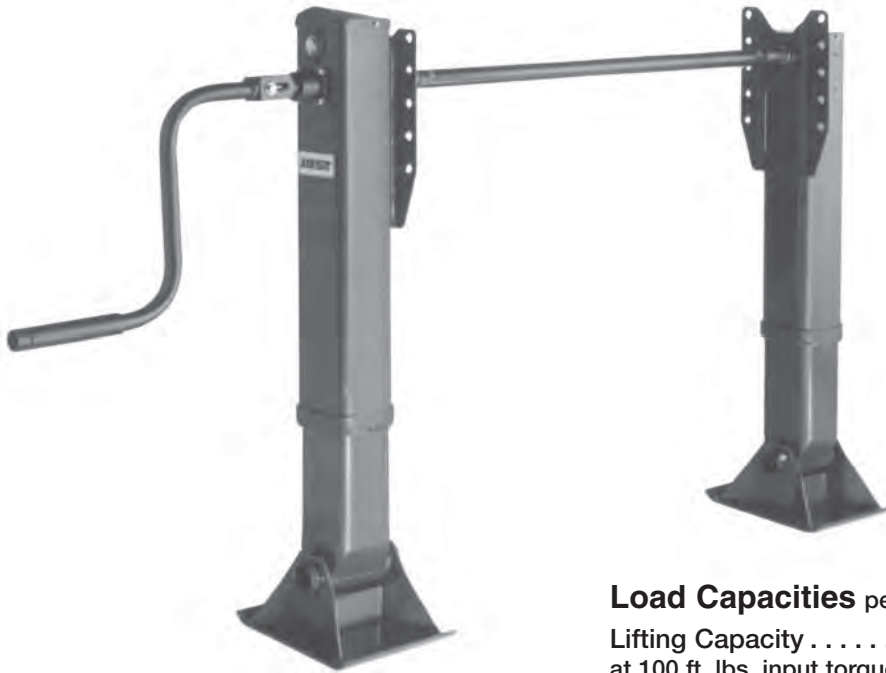
Modul S 400mm
Modul S 470mm
Modul S 520mm



Supplied without Feet can take R.T.S or A Feet
Supplied without Feet can take R.T.S or A Feet
Supplied without Feet can take R.T.S or A Feet

Modul WF 400mm
Modul WF 470mm
Modul WF 520mm

Note: Inside flange mounting models also available



Load Capacities per pair

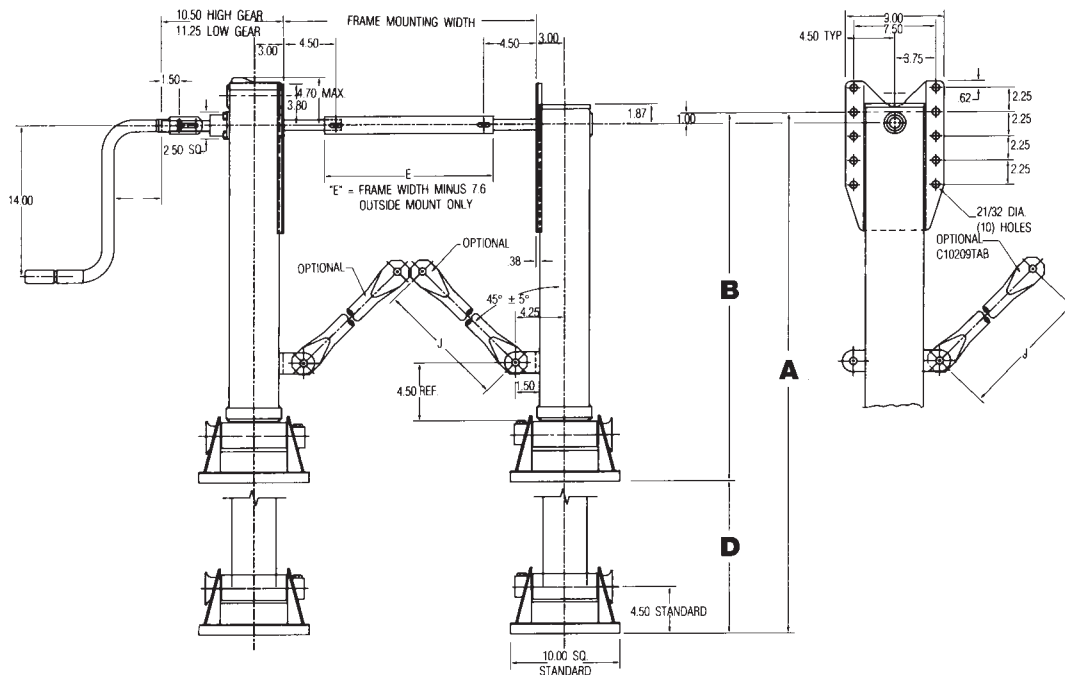
Lifting Capacity 25 tons
at 100 ft. lbs. input torque

Static Load Capacity 80 tons

Side Load Capacity 14.5 tons

Landing Gear Dimensions

Outside Mount



Travel Option Dimensions

Model	D - Travel	A - Extended	B - Retracted
A400/A/G/T/R	14" (355.6mm)	42 ⁵ / ₈ " (1082.675mm)	28 ⁵ / ₈ " (727.075mm)
A400/A/G/T/R	17" (431.8mm)	48 ⁵ / ₈ " (1235.075mm)	31 ⁵ / ₈ " (803.275mm)
A400/A/G/T/R	19" (482.6mm)	52 ⁵ / ₈ " (1366.675mm)	33 ⁵ / ₈ " (854.075mm)
A400G3-17	17" (431.8mm)	45 ⁵ / ₈ " (1158.875mm)	28 ⁵ / ₈ " (727.075mm)

INDIVIDUAL COMPONENTS

Item	Description	Qty.	Part No.	Item	Description	Qty.	Part No.
6	Standard Crank w/Hardware 17 3/4"	1	C10592.4 & C10592.4-R	35	Roll Pin - 3/8" x 1 3/4'	1	A10054.7
7	Crank Hanger	1	B10261	36	Output Cluster Shaft	1	B10236
10	Brace Lug - W	2	C10108	37	Output Cluster Gear	1	C10234
11	Intermediate Cross Shaft	1	B10066	38	Input Gear Shaft	1	C10233
12	Cover Screw	4	A10059.1	39	Output Spur Gear	1	C10078
13	Cover - 2 Speed	1	C10217	40	Input Spur Gear	1	C10085
14	Cover - 1 Speed	1	C10259	41	Detent Spring	1	A10049
15	Pinion Gear	1	C10177	42	Detent Ball	2	A10048
16	Bevel Gear	2	C10155	43	Shift Housing incl.31,32 Shift Housing incl.41,42	1 1	B10229* B10229-S
17	Pinion Shaft - 1 Speed	1	B10130	44	Shift Housing Bolt	4	A10230
18	Thrust Washer	2	A10102	45	Self Locking Nut	4	A10038.6
19	Grooved Pin	2	A10052.3	46a	Shoe - 10" x 10" x 4 1/2" Standard	2	C10035
20	Spacer Washer	2	A10218	46b	Low Profile T Foot	2	C10135
21	Grease Fitting	4	A10040	47	Shoe Axle	2	B10036
22	Grease Seal	1	A10283	48	Hex Head Bolt	2	A10037.3
24	Self Locking Nut	4	A10038.7	49	Roll Pin - 1/4" x 1/4"	1	A10054.6
25	Cross Shaft Bolt - 3/8" x 2" Gr5	2	A10037.1	50	9" Dia Standard Wheel	4	C10342
26	Thrust Bearing	2	A10033	51	Wheel Axle	2	B10300
27	Collar	2	A10101	52	Air Suspension foot (pressed type) c/w axle	2	JS1116-0340C
28	Output Shaft	1	A10212	53	Axle for pressed air foot	2	B10036.1
30	Bushing	2	A10255	54	Compensating foot c/w axle	2	JS1116-358CN
33	Roll Pin - 3/8" x 1 1/2"	1	A10054.3	55	Axle for compl. foot	2	B10036.1
34	Spiral Pin	2	A10260.1				

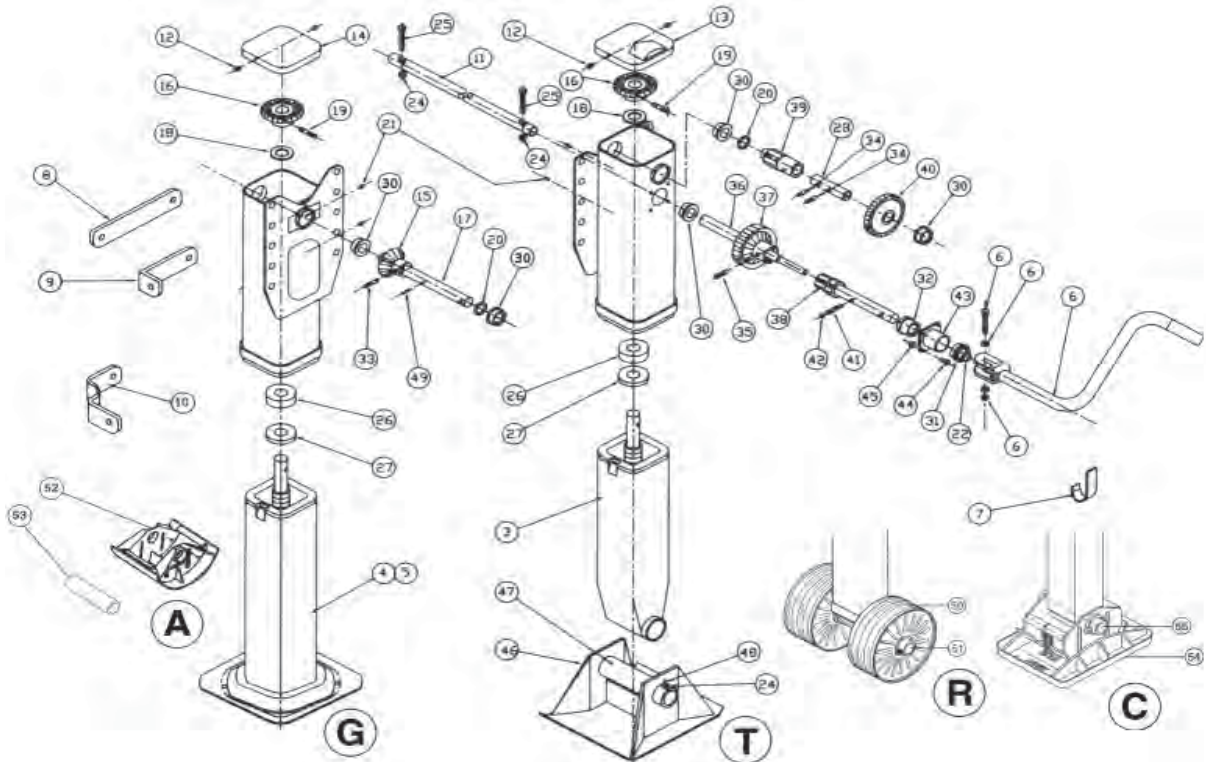
*Not Available as single item, included in part number 43

COMPONENT ASSEMBLIES

Item	Description	14" Travel	Part No.	17" Travel	19" Travel
3	Inner Leg Assy. - Standard	C10140.1	C10140.2	C10140.3	
4	Inner Leg Assy. - 10" Cushion	C10146.1	C10146.2	C10146.3	

FOOTWEAR OPTIONS

Description	Order Code	Description	Order Code
10" x 10" Cushion Foot	G	Compensating foot	C
9" Dia. Standard Wheels	R	10" x 10" x 4 1/2" Sand Shoes	T
Air Suspension	S	Low Profile T	T1



8/08

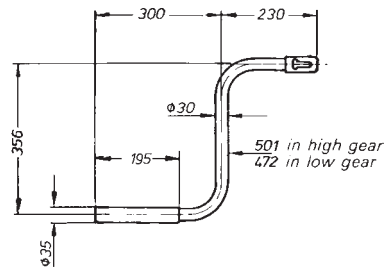
Jost Australia Pty. Ltd.
Toll Free Sydney 1800 811 487
www.jostaustralia.com.au

162

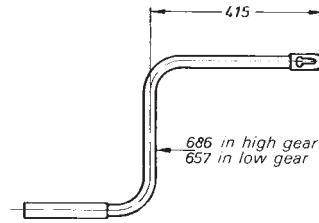
Sydney
Brisbane
Melbourne
Perth

(02) 9838 8100
(07) 3272 5777
(03) 9360 9001
(08) 9355 4137

Cranks for telescopic landing gear for E 200 Series



JS 1118-03
short model



JS 1118-17
standard model

Three crank extensions are available:

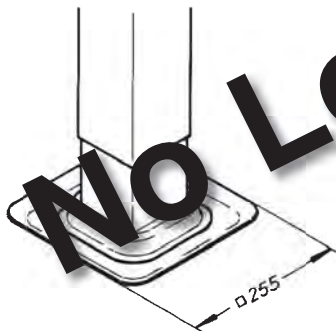
Types JS 1 (aluminium) and JS 4 (steel) for screwing onto the gear
Type JS 2 for welding onto the vehicle chassis

footwear options

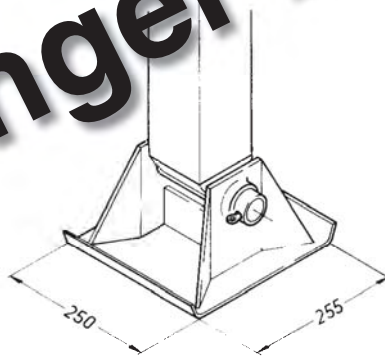
Rubber cushioned foot = G
swivels up to 15° in all directions

sand shoe

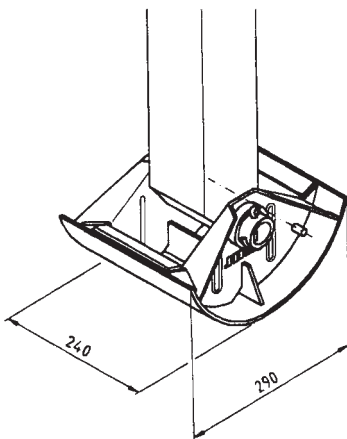
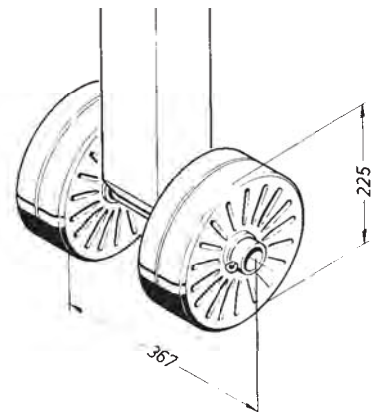
wheels = R



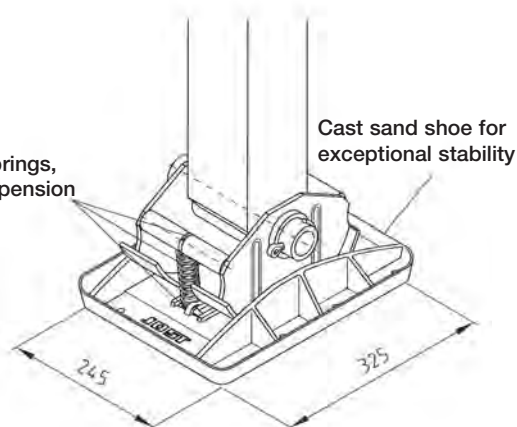
Rocking foot - A



Compensation Foot = S



Reinforced springs,
improved suspension



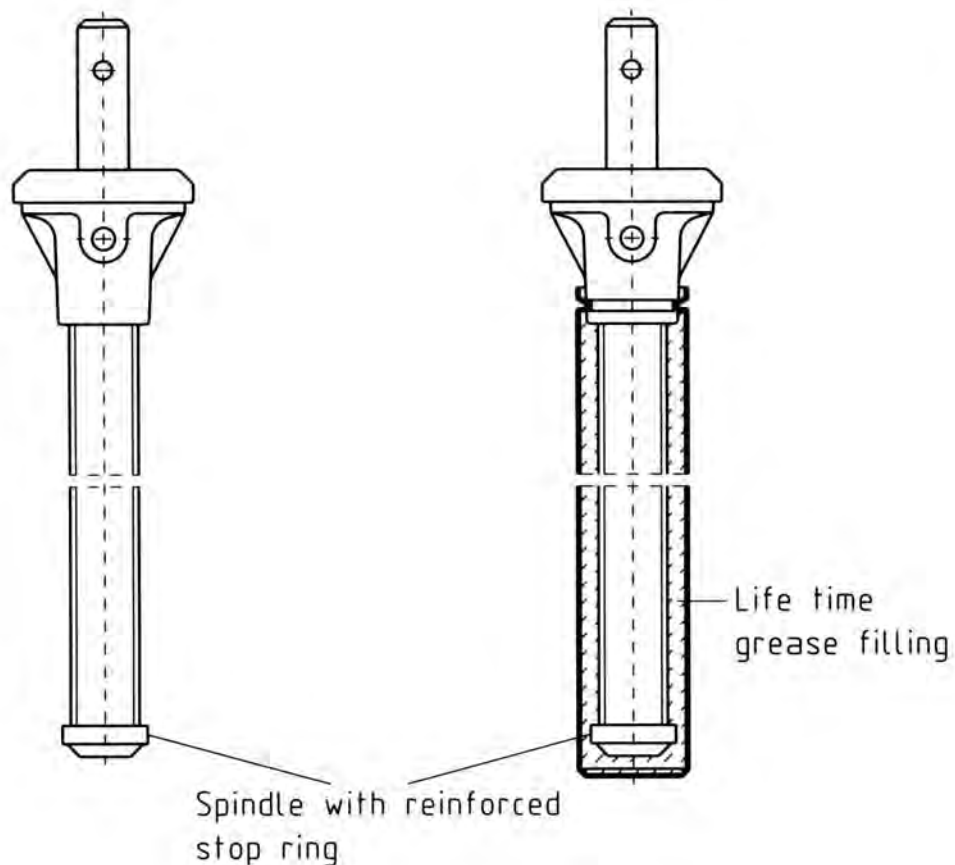
Cast sand shoe for
exceptional stability

The main advantages:

- Considerably improved stability against deformation.
- Particulary robust, even under very adverse conditions.
- Reduction of noise.
- Weight reduction of approx. 4 kg per set.
- Simplified maintenance (exchange of parts).

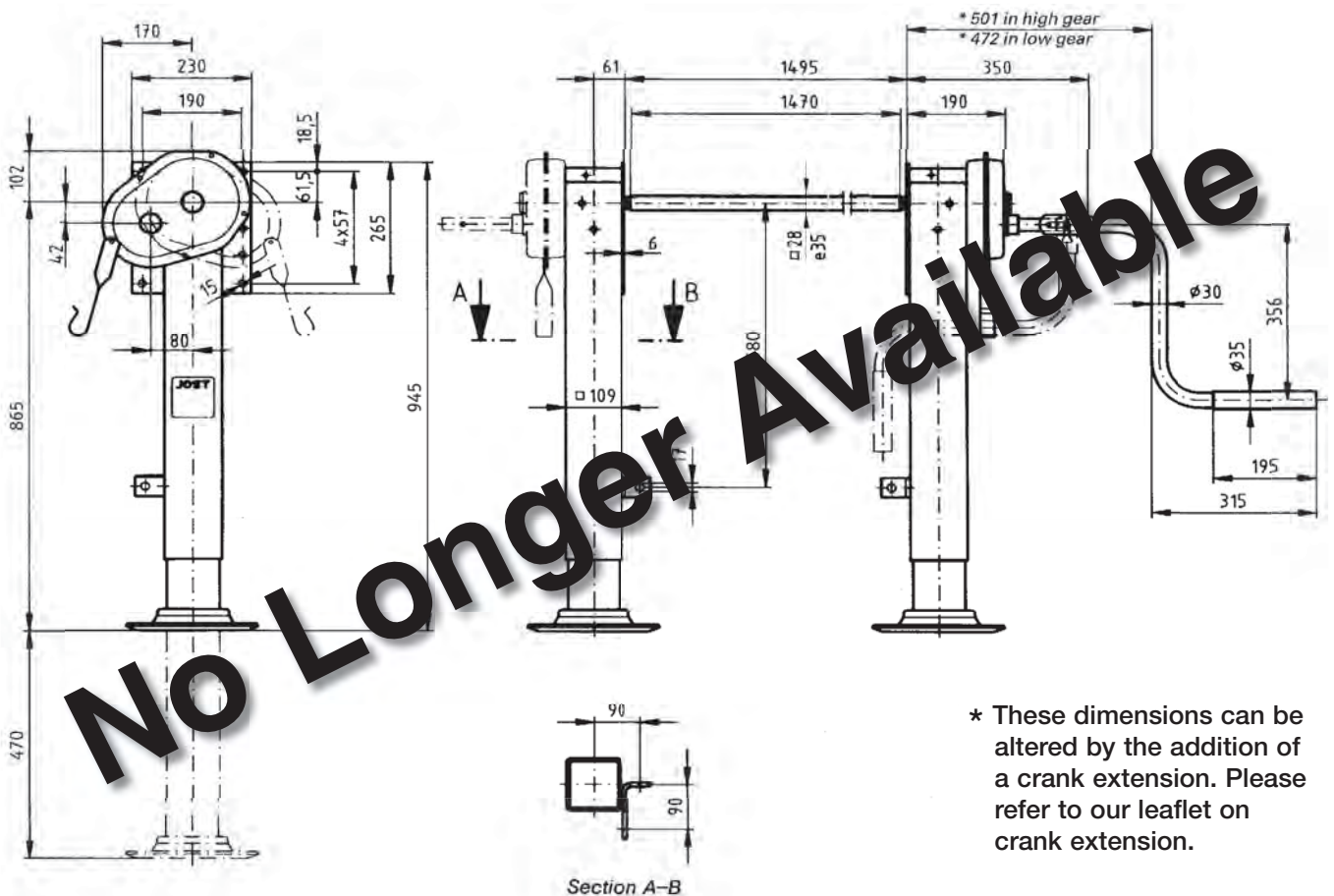
Spindle and Lubrication

- Reinforced welded ring at the end of travel
 - ▶ increased safety margin to avoid over cranking
- Improved lubrication of the low maintenance version
 - ▶ only one grease nipple left
- Long life grease filling permanently encased around the spindle on the maintenance free version
 - ▶ no more grease nipples at all



Series E 200 One side operation Series E 240 Two side operation

Type E 200 G shown below, can alternatively be supplied with wheels R or sand shoes T



* These dimensions can be altered by the addition of a crank extension. Please refer to our leaflet on crank extension.

Technical data

	E 200	E 240
Lifting capacity	24 t	24 t
Static load	50 t	50 t
Weight	~ 90 kg	~ 101 kg
Lift per one turn of handle		
Low gear	1.0 mm	1.0 mm
High gear	10.6 mm	10.6 mm
Crank force per handle		
at 12t super imposed load	17 kg	9 kg
at 16t super imposed load	23 kg	12 kg
at 20t super imposed load	29 kg	15 kg
at 24t super imposed load	35 kg	18 kg

Normal equipment:

E 200	E 240
1 jack with drive	1 jack with drive right hand
1 jack without drive	1 jack with drive left hand
1 crank handle	2 crank handles
1 connection shaft	1 connection shaft
1 crank parking hook	2 crank parking hooks

We reserve the right to alter specifications without notice

8/08

The series number is the 3rd to 5th digit of the number on the type plate.

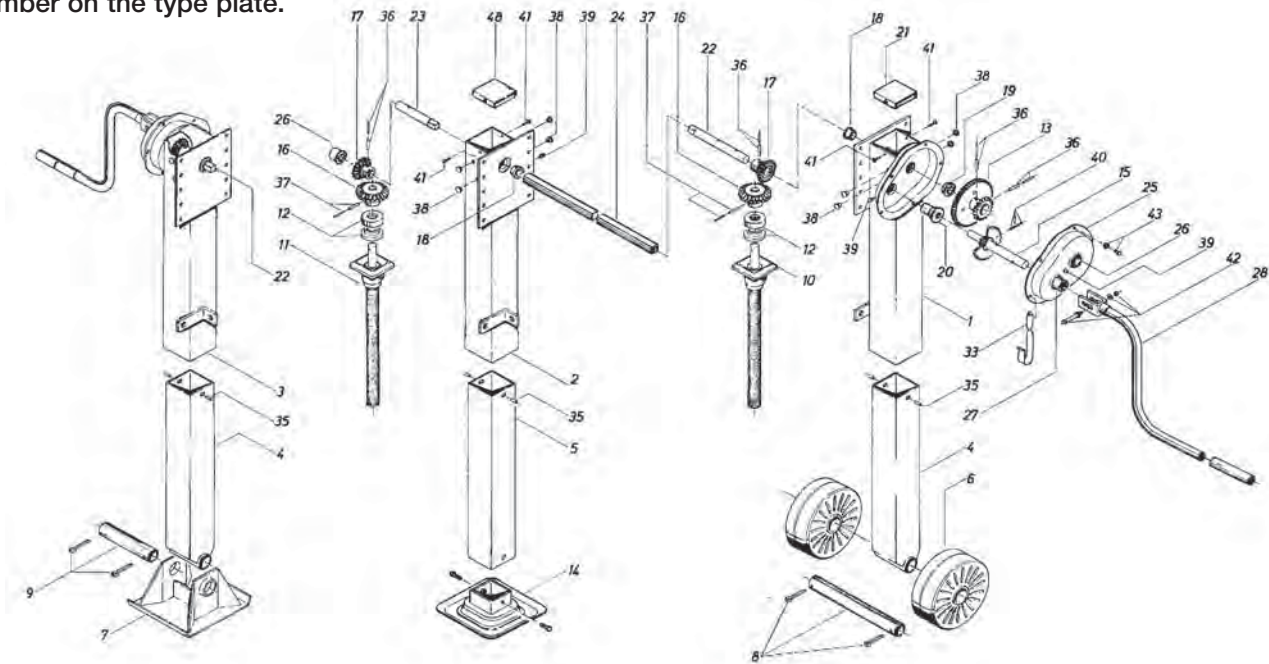


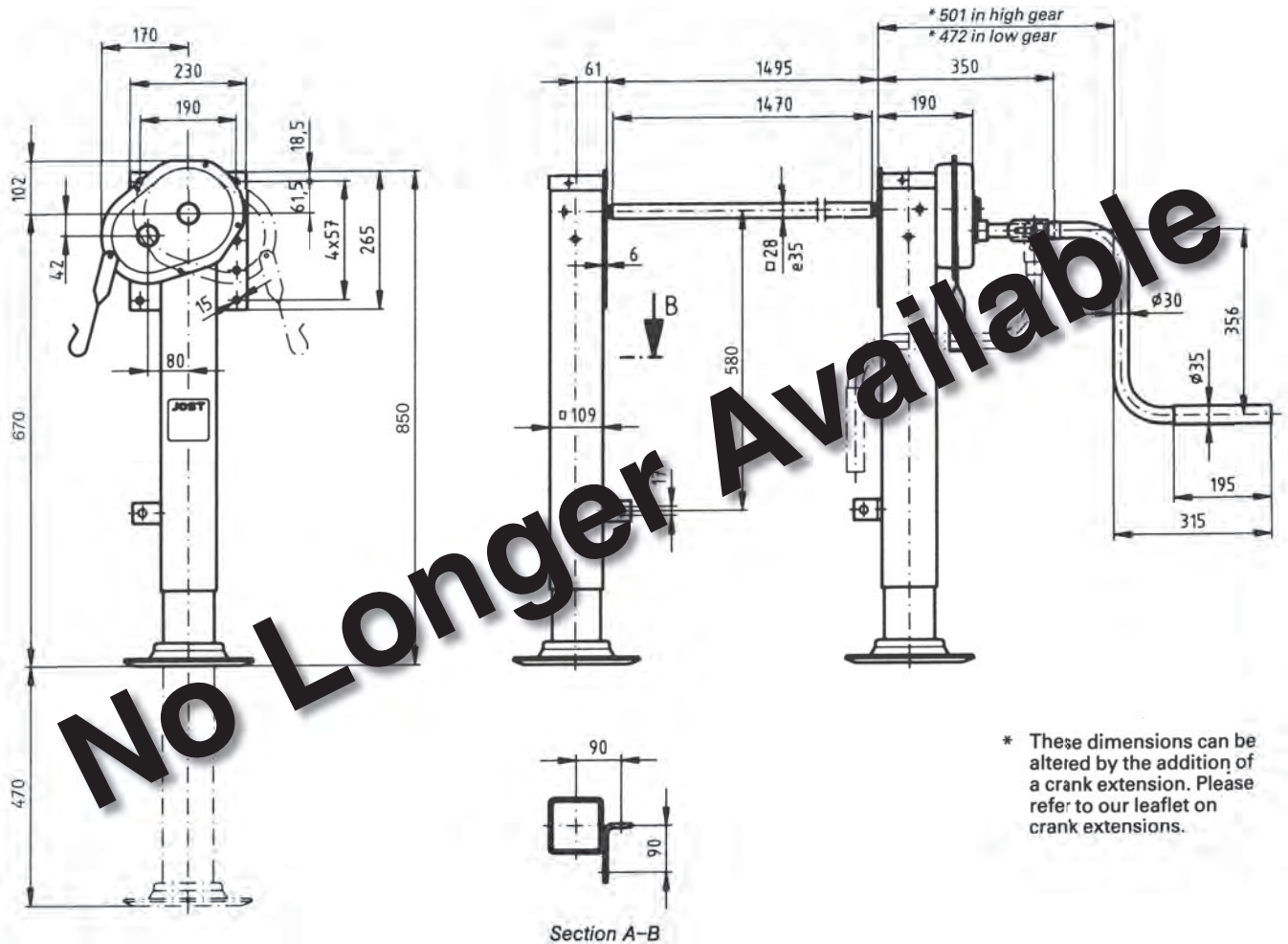
Fig.	Description	Part No.
1	Housing R.H.	JS 1111-01*
2	Housing L.H.	JS 1111-55*
3	Housing L.H. (type E 240)	JS 1211-01*
4	Supporting tube	JS 1112-01*
5	Supporting tube	JS 1112-05*
6	Wheels	JS 1116-01
7	Sand shoe	JS 1116-06
8	Axle for wheels	JS 1118-01
9	Axle for sand shoe compl.	JS 1118-02
10	Spindle R.H. compl.	JS 1114-01*
11	Spindle L.H. compl.	JS 1114-14*
12	Thrust bearing	JS 1101-18
13	Large gear set with clamping sleeves 36	JS 1118-05
14	Rubber cushioned foot compl.	JS 1116-31
15	Gear drive pinion with ball and pressure spring	JS 1118-06
16	Large bevel gear with clamping sleeves 37	JS 1118-14
17	Small bevel gear with clamping sleeves 36	JS 1118-15
18	Bush	JS 1101-02
19	Distance piece	JS 1101-07
20	Bush	JS 1101-09
21	Cover plate	JS 1101-03
22	Drive shaft	JS 1114-04
23	Drive shaft	JS 1114-16
24	Connection shaft	JS 1110-01
25	Gearbox cover	JS 7111-0001
26	Bush	JS 1101-08
27	Bush	JS 1101-10
28	Crank handle	JS 1118-03
33	Crank holder	JS 1101-17

Fig.	Description	Part No.
35	Pin	JS 1120-07
36	Clamping sleeves	JS 1118-08
37	Clamping sleeves	JS 1118-09
38	Plug	JS 1101-12
39	Grease nipple	JS 1120-06
40	Pressure spring with balls	JS 1118-04
41	Bolt	JS 1120-21
42	Bolt with washers and nut	JS 1118-10
43	Bolt with nut	JS 1118-11
48	Cover plate	JS 1101-38
REPAIR KITS		
6 + 8	Pair of wheels compl. with axle	JS 5
7 + 9	Sand shoe compl. with axle	JS 10
	Leg complete R.H. with drive for type E 200	ER 200*
	Leg complete L.H. without drive for type E 200	EL 200*
	Leg complete L.H. with drive for type E 240	ER 240*
	Leg complete R.H. with drive for type E 240	EL 240*
18, 26, 36, 37, 38, 41	Repair kit for land gear without drive	JS 1118-104
18, 19, 20, 26, 27, 36, 37, 38, 40, 41, 42	Repair kit for landing gear with drive	JS 1118-103

* Important when ordering these parts please state overall height of landing gear (900, 950 or 1000 mm)

Series E 200-500 One side operation

Type E 200 G 500 .shown below, can alternatively be supplied with wheels R and sand shoes T



Technical data

	E 200-500
Lifting capacity	25 t
Static load	50t
Weight	81 kg
Lift per one turn of handle	
Low gear	1.0 mm
High gear	10.6 mm
Crank force per handle	
at 12t super imposed load	17 kg
at 16t super imposed load	23 kg
at 20t super imposed load	29 kg
at 24t super imposed load	35 kg
Retracted Height	850mm

Normal equipment:

E 200-500

- 1 jack with drive
- 1 jack without drive
- 1 crank handle
- 1 connection shaft
- 1 crank parking hook

We reserve the right to alter specifications without notice

8/08

The series number is the 3rd to 5th digit of the number on the type plate.

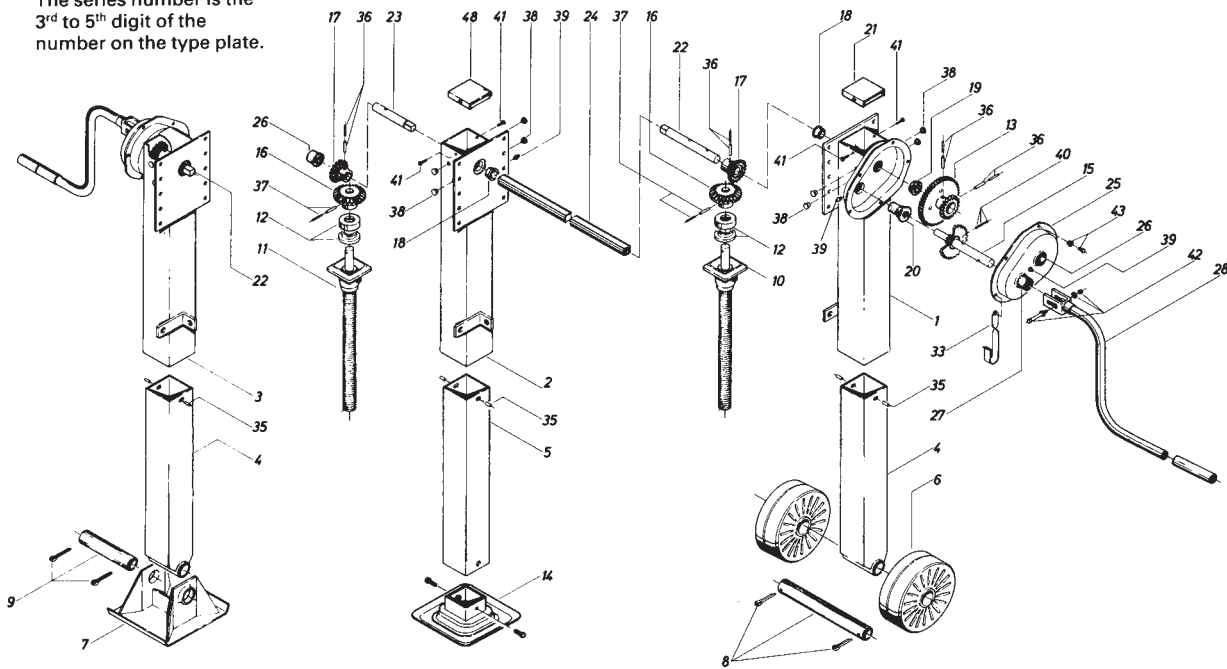
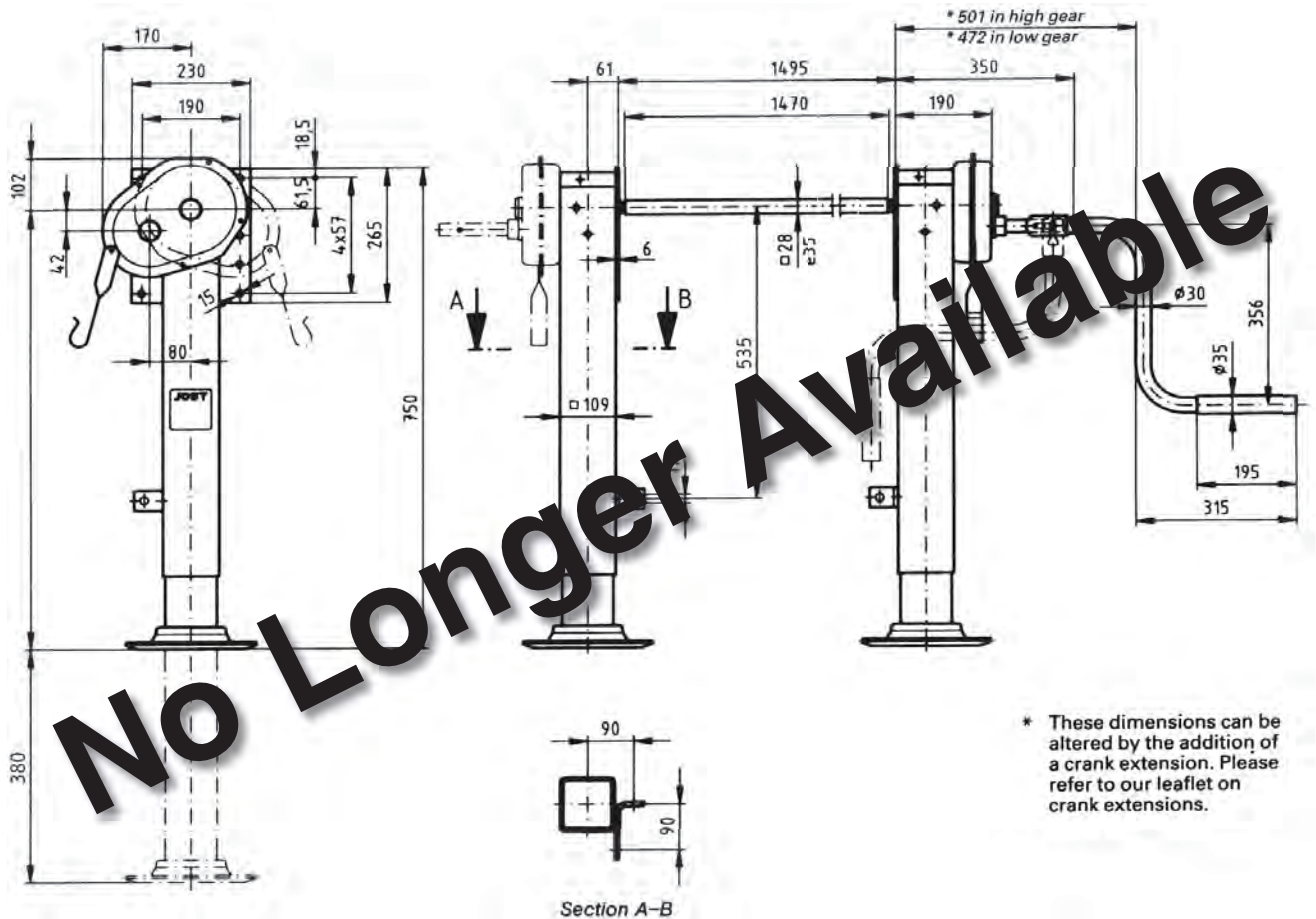


Fig.	Description	Part No.
1	Housing R.H.	JS 1111-01
2	Housing L.H.	JS 1111-55
3	Housing L.H. (type E240)	JS 1211-01
4	Supporting tube	JS 1112-01
5	Supporting tube	JS 1112-21
6	Wheels	JS 1116-01
7	Sand shoe	JS 1116-06
8	Axle for Wheels	JS 1118-01
9	Axle for sand shoe compl.	JS 1118-02
10	Spindle R.H. compl	JS 1114-01
11	Spindle L.H. compl.	JS 1114-14
12	Thrust bearing	JS 1101-160
13	Large gear set with clamping sleeves 36	JS 1118-05
14	Rubber cushioned foot compl.	JS 1116-31
15	Gear drive pinion with ball and pressure spring	JS 1118-06
16	Large bevel gear with clamping sleeves 37	JS 1118-14
17	Small bevel gear with clamping sleeves 36	JS 1118-15
18	Bush	JS 1101-02
19	Bush	JS 1101-07
20	Bush	JS 1101-09
21	Cover plate	JS 1101-03
22	Drive shaft	JS 1114-04
23	Drive shaft	JS 1114-16
24	Connection shaft	JS 1110-01
25	Gearbox cover	JS 7111-0001
26	Bush	JS 1101-08
27	Bush	JS 1101-10
28	Crank handle	JS 1118-17
33	Crank holder	JS 1101-17

Fig.	Description	Part No.
35	Pin	JS 1120-07
36	Clamping sleeves	JS 1118-08
37	Clamping sleeves	JS 1118-09
38	Plug	JS 1101-12
39	Grease nipple	JS 1120-06
40	Pressure spring with balls	JS 1118-04
41	Bolt	JS 1120-21
42	Bolt with washers and nut	JS 1118-10
43	Bolt with nut	JS 1120-73
48	Cover plate	JS 1101-38
REPAIR KITS		
6+8	Pair of wheels compl. with axle	JS 5
7+9	Sand shoe compl. with axle	JS 10
	Leg complete R.H. with drive for type E 200 - 05000	ER 200-500
	Leg complete L.H. without drive for type E 200 - 05000	EL 200-500
18,26	Repair kit for landing gear without drive	JS 1118-104
36,37		
38,41		
18,19	Repair kit for landing gear without drive	JS 1118-103
20,26		
27,36		
37,38		
40,41		
42		

Series E 200-1900 One side operation

Type E 200 G 1900 shown below, can alternatively be supplied with wheels R and sand shoes T



Technical data

	E 200-1900
Lifting capacity	25 t
Static load	50t
Weight	72kg
Lift per one turn of handle	
Low gear	1.0 mm
High gear	10.6 mm
Crank force per handle	
at 12t super imposed load	17 kg
at 16t super imposed load	23 kg
at 20t super imposed load	29 kg
at 24t super imposed load	35kg
Retracted Height	750mm

Normal equipment:

E 200-1900

- 1 jack with drive
- 1 jack without drive
- 1 crank handle
- 1 connection shaft
- 1 crank parking hook

We reserve the right to alter specifications without notice

The series number is the 3rd to 5th digit of the number on the type plate.

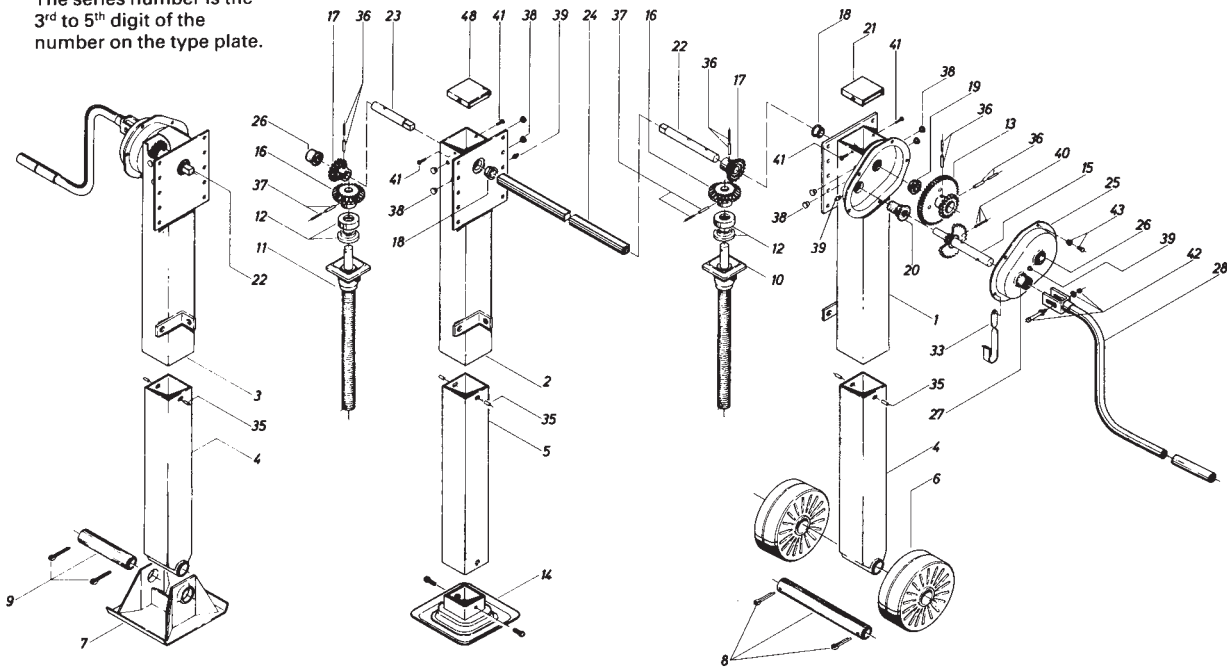


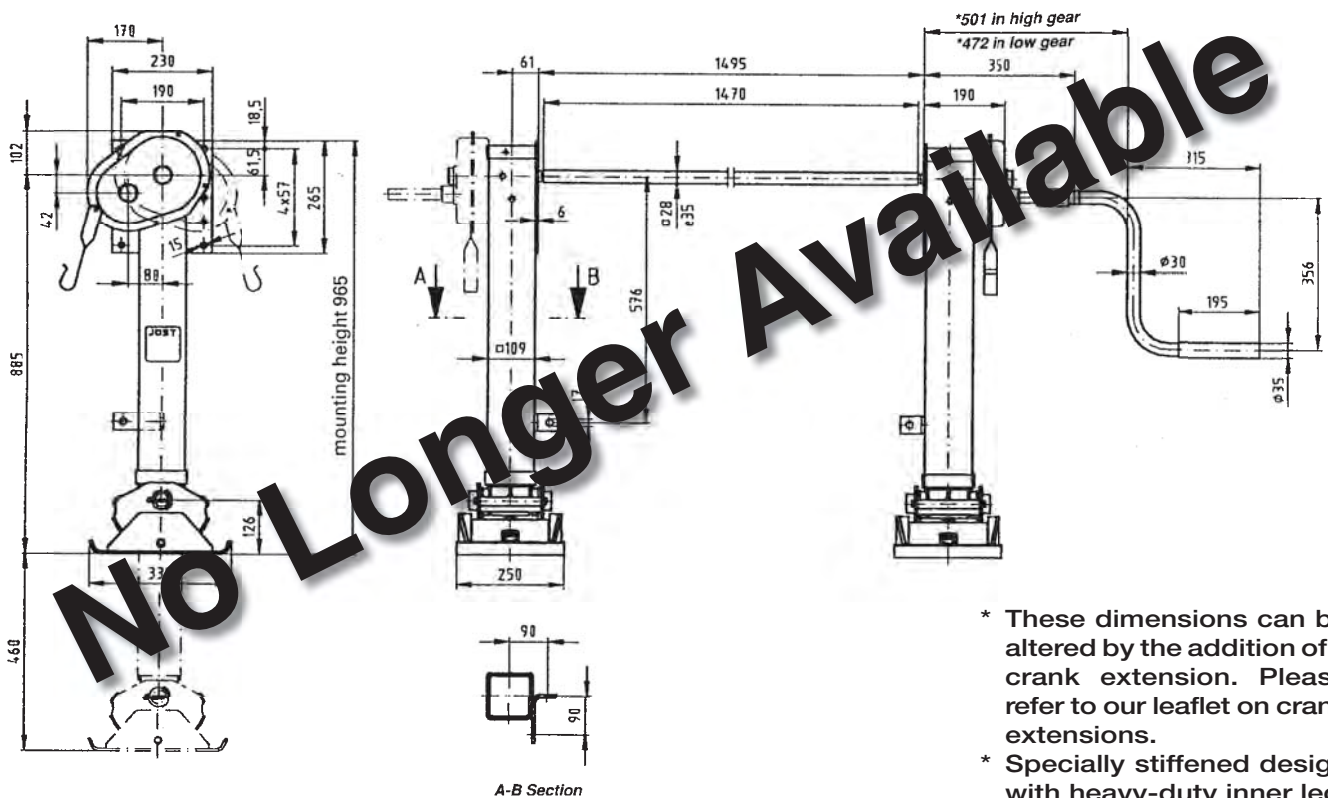
Fig.	Description	Part No.
1	Housing R.H.	JS 1111-118
2	Housing L.H.	JS 1111-119
3	Housing L.H. (type E240)	JS 1111-157
4	Supporting tube	JS 1112-01
5	Supporting tube	JS 1112-45
6	Wheels	JS 1116-01
7	Sand shoe	JS 1116-06
8	Axle for Wheels	JS 1118-01
9	Axle for sand shoe compl.	JS 1118-02
10	Spindle R.H. compl	JS 3114-01
11	Spindle L.H. compl.	JS 3114-03
12	Thrust bearing	JS 1101-160
13	Large gear set with clamping sleeves 36	JS 1118-05
14	Rubber cushioned foot compl.	JS 1116-31
15	Gear drive pinion with ball and pressure spring	JS 1118-06
16	Large bevel gear with clamping sleeves 37	JS 1118-14
17	Small bevel gear with clamping sleeves 36	JS 1118-15
18	Bush	JS 1101-02
19	Bush	JS 1101-07
20	Bush	JS 1101-09
21	Cover plate	JS 1101-03
22	Drive shaft	JS 1114-04
23	Drive shaft	JS 1114-16
24	Connection shaft	JS 1110-01
25	Gearbox cover	JS 7111-0001
26	Bush	JS 1101-08
27	Bush	JS 1101-10
28	Crank handle	JS 1118-17
33	Crank holder	JS 1101-17

Fig.	Description	Part No.
35	Pin	JS 1120-07
36	Clamping sleeves	JS 1118-08
37	Clamping sleeves	JS 1118-09
38	Plug	JS 1101-12
39	Grease nipple	JS 1120-06
40	Pressure spring with balls	JS 1118-04
41	Bolt	JS 1120-21
42	Bolt with washers and nut	JS 1118-10
43	Bolt with nut	JS 1120-73
48	Cover plate	JS 1101-38
REPAIR KITS		
6+8	Pair of wheels compl. with axle	JS 5
7+9	Sand shoe compl. with axle	JS 10
	Leg complete R.H. with drive for type E 200 - 19000	ER 200-1900
	Leg complete L.H. without drive for type E 200 - 19000	EL 200-1900
18,26	Repair kit for landing gear without drive	JS 1118-104
36,37		
38,41		
18,19	Repair kit for landing gear without drive	JS 1118-103
20,26		
27,36		
37,38		
40,41		
42		

Series E 200 S One side operation Series E 240 S Two side operation

This landing gear has been developed specifically for semi-trailers with air suspension. When these trailers stand for some time the chassis can sink due to loss of pressure in the suspension air bags. This results in a bending moment on the landing gear which can lead to damage.

The special construction of the foot in conjunction with a reinforced inner leg can compensate for up to 125 mm horizontal movement of the chassis in either direction.



- * These dimensions can be altered by the addition of a crank extension. Please refer to our leaflet on crank extensions.
- * Specially stiffened design with heavy-duty inner leg.

Technical data		
	E 200 S	E 240 S
Lifting capacity	24 t	24 t
Static load	50 t	50 t
Weight	~101 kg	~ 112 kg
Lift per one turn of handle		
Low gear	1.0 mm	1.0 mm
High gear	10.6 mm	10.6 mm
Crank force per handle		
at 12t super imposed load	17 kg	9 kg
at 16t super imposed load	23 kg	12 kg
at 20t super imposed load	29 kg	15 kg
at 24t super imposed load	35 kg	18 kg

Normal equipment:

E 200 S	E 240 S
1 jack with drive	1 jack with drive right hand
1 jack without drive	1 jack with drive left hand
1 crank handle	2 crank handles
1 connection shaft	1 connection shaft
1 crank parking hook	2 crank parking hooks

We reserve the right to alter specifications without notice

Jost Australia Pty. Ltd.
Toll Free Sydney 1800 811 487
www.jostaustralia.com.au

172

Sydney
Brisbane
Melbourne
Perth

(02) 9838 8100
(07) 3272 5777
(03) 9360 9001
(08) 9355 4137

The series number is the 3rd to 5th digit of the number on the plate

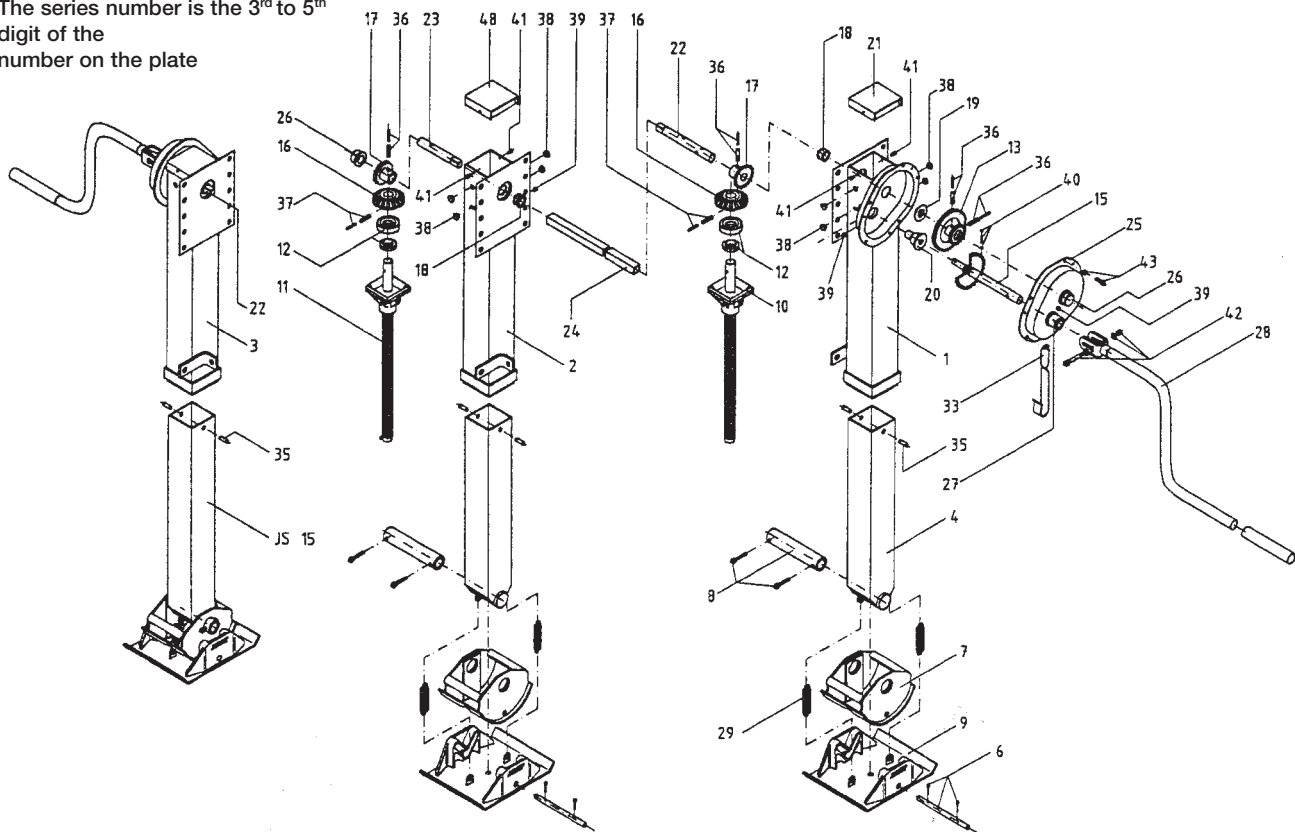


Fig.	Description	Part No.
1	Housing R.H.	JS 1111-150*
2	Housing L.H.	JS 1111-151*
3	Housing L.H. (Type E 240)	JS 1211-28*
4	Supporting tube	JS 1112-90*
6	Rod with retaining rings	JS 1118-138
7	Rocking foot compl.	JS 1116-138
8	Axle for sand shoe compl.	JS 1118-139
9	Sand shoe compl.	JS 1116-144
10	Spindle R.H. compl.	JS 1114-01*
11	Spindle L.H. compl.	JS 1114-14*
12	Thrust bearing	JS 1101-18
13	Large gear set with clamping sleeves 36	JS 1118-05
15	Gear drive pinion with ball and pressure spring 40	JS 1118-06
16	Large bevel gear with clamping sleeves 37	JS 1118-14
17	Small bevel gear with clamping sleeves 36	JS 1118-15
18	Bush	JS 1101--2
19	Distance piece	JS 1101-07
20	Bush	JS 1101-09
21	Cover plate	JS 1101-03
22	Drive shaft	JS 1114-04
23	Drive shaft	JS 1114-16
24	Connection shaft	JS 1110-01
25	Gear box cover	JS 7111-0001
26	Bush	JS 1101-08
27	Bush	JS 1101-10
28	Crank handle with sleeve 32	JS 1118-03
29	Spring	JS 1116-149
33	Crank parking hook	JS 1101-17
35	Pin	JS 1120-07

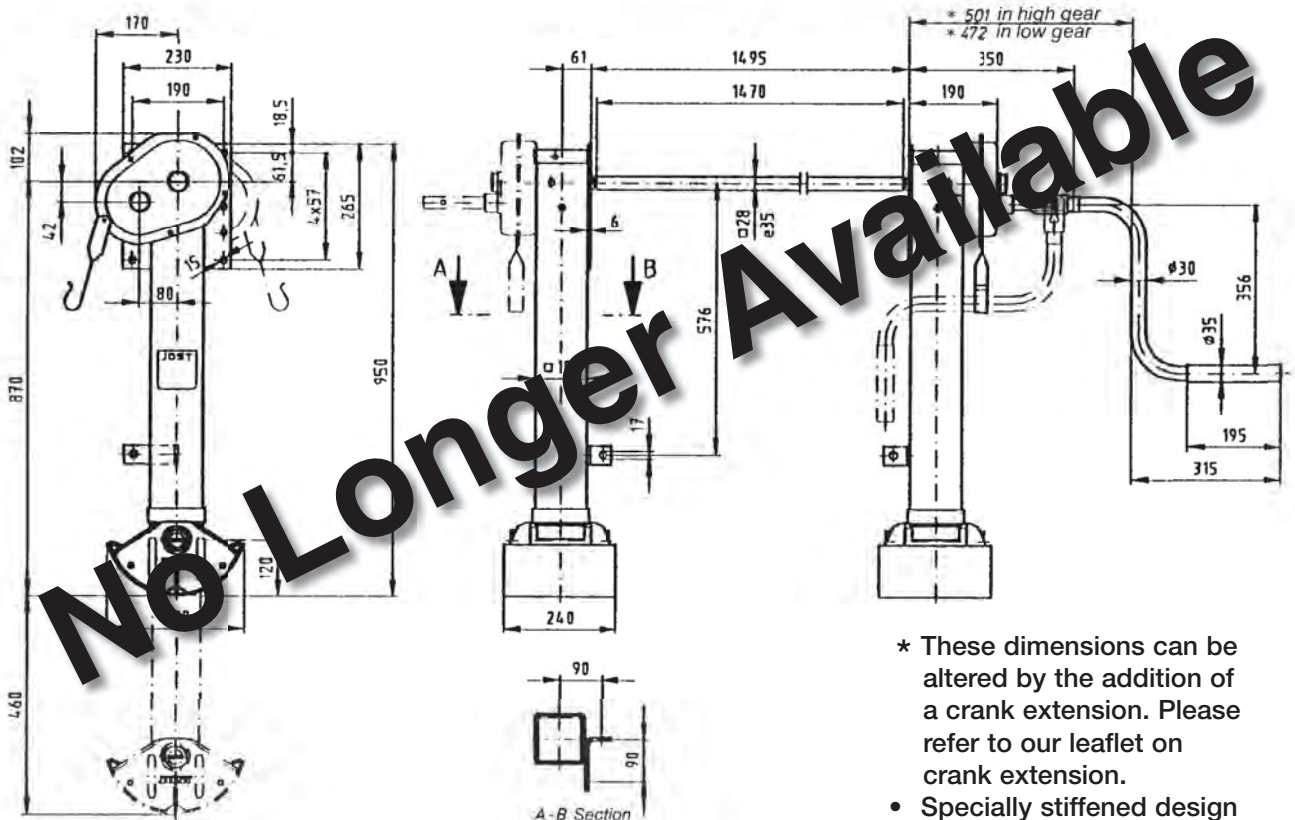
Fig.	Description	Part No.
36	Clamping sleeves	JS 1118-08
37	Clamping sleeves	JS 1118-09
38	Plug	JS 1101-12
39	Grease nipple	JS 1120-06
40	Pressure spring with balls	JS 1118-04
41	Bolt	JS 1120-21
42	Bolt with washers and nut	JS 1118-10
43	Bolt with nut	JS 1118-11
48	Cover plate	JS 1101-38
ASSEMBLIES		
7,8	Rocking foot compl. with axle	JS 12
6,9,		
29	Sand shoe compl., with rod and spring	JS 13
JS12+		
JS 13	S-foot complete	JS 17
4 +	6, 7, 8, 9 not sold seperately	
JS 14	S-foot compl. with supporting tube	JS 15
	Leg compl. R.H. with drive for type E 200 S	ER 200 S*
	Leg compl. L.H. without drive for type E 200 S	EL 200 S*
	Leg compl. R.H. with drive for type E 240 S	ER 240 S*
	Leg compl. L.H. with drive for type E 240 S	EL 240 S*

Series E 200 A One side operation

Series E 240 A Two side operation

This landing gear has been developed specifically for semi-trailers with air suspension. When these trailers stand for some time the chassis can sink due to loss of pressure in the suspension air bags. This results in a bending moment on the landing gear which can lead to damage.

The special rocking foot in conjunction with a reinforced inner leg can compensate for up to 130 mm horizontal movement of the chassis. Correct functioning is only possible when the trailer is standing on a hard, level surface, which will allow the rocking foot to operate. Existing JOST standard legs can be retrospectively modified with the assembly JS 9 (rocking foot with axle and reinforced inner leg).



- * These dimensions can be altered by the addition of a crank extension. Please refer to our leaflet on crank extension.
- Specially stiffened design with heavy-duty inner leg.

Technical data

	E 200 A	E 240 A
Lifting capacity	24 t	24 t
Static load	50 t	50 t
Weight	~ 91 kg	~ 102 kg
Lift per one turn of handle		
Low gear	1.0 mm	1.0 mm
High gear	10.6 mm	10.6 mm
Crank force per handle		
at 12t super imposed load	17 kg	9 kg
at 16t super imposed load	23 kg	12 kg
at 20t super imposed load	29 kg	15 kg
at 24t super imposed load	35 kg	18 kg

Normal equipment:

E 200 A	E 240 A
1 jack with drive	1 jack with drive right hand
1 jack without drive	1 jack with drive left hand
1 crank handle	2 crank handles
1 connection shaft	1 connection shaft
1 crank parking hook	2 crank parking hooks

We reserve the right to alter specifications without notice
Particular attention should be paid to our leaflet on mounting instructions.

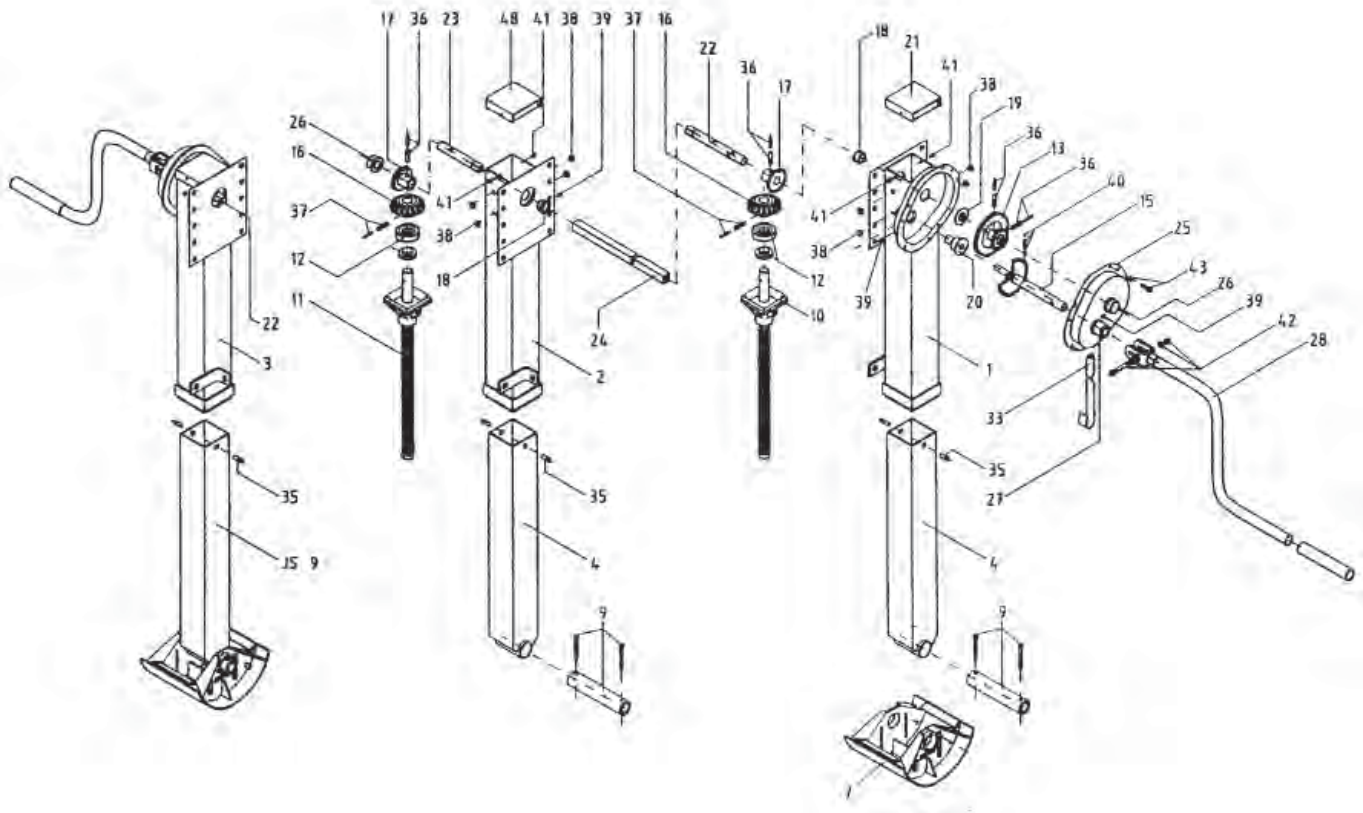


Fig.	Description	Part No.
1	Housing R.H.	JS 1111-01*
2	Housing L.H.	JS 1111-55*
3	Housing L.H. (type E 240)	JS 1211-01*
4	Supporting tube	JS 1112-66*
7	Rocking foot	JS 1116-72
9	Axle for sand shoe compl.	JS 1118-02
10	Spindle R.H. compl.	JS 1114-01*
11	Spindle L.H. compl.	JS 1114-01*
12	Thrust bearing	JS 1101-18*
13	Large gear set with clamping sleeves 36	JS 1118-05
15	Gear drive pinion with ball and pressure spring 40	JS 1118-06
16	Large bevel gear with clamping sleeves 37	JS 1118-14
17	Small bevel gear with clamping sleeves 36	JS 1118-15
18	Bush	JS 1101-02
19	Distance piece	JS 1101-07
20	Bush	JS 1101-09
21	Cover plate	JS 1101-03
22	Drive shaft	JS 1114-04
23	Drive shaft	JS 1114-16
24	Connection shaft	JS 1110-01
25	Gearbox cover	JS 7111-0001
26	Bush	JS 1101-08
27	Bush	JS 1101-10
28	Crank handle with sleeve 29	JS 1118-03

Fig.	Description	Part No.
33	Crank parking hook	JS 1101-17
35	Pin	JS 1120-07
36	Clamping sleeves	JS 1118-08
37	Clamping sleeves	JS 1118-09
38	Plug	JS 1101-12
39	Grease nipple	JS 1120-06
40	Pressure spring with balls	JS 1118-04
41	Bolt	JS 1120-21
42	Bolt with washers and nut	JS 1118-10
43	Bolt with nut	JS 1118-11
48	Cover plate	JS 1101-38
ASSEMBLIES		
8+9	Rocking foot compl. with axle	JS 8
4,8 9	Rocking foot compl. with axle and reinforced inner leg	JS 9
	Leg complete R.H. with drive for type E 200	ER 200 *
	Leg complete L.H. without drive for type E 200	EL 200 *
	Leg complete R.H. with drive for type E 240	ER 240 *
	Leg complete L.H. with drive for type E 240	EL 240 *

* Important when ordering these parts
please state overall height of landing gear (900, 950 or 1000 mm)

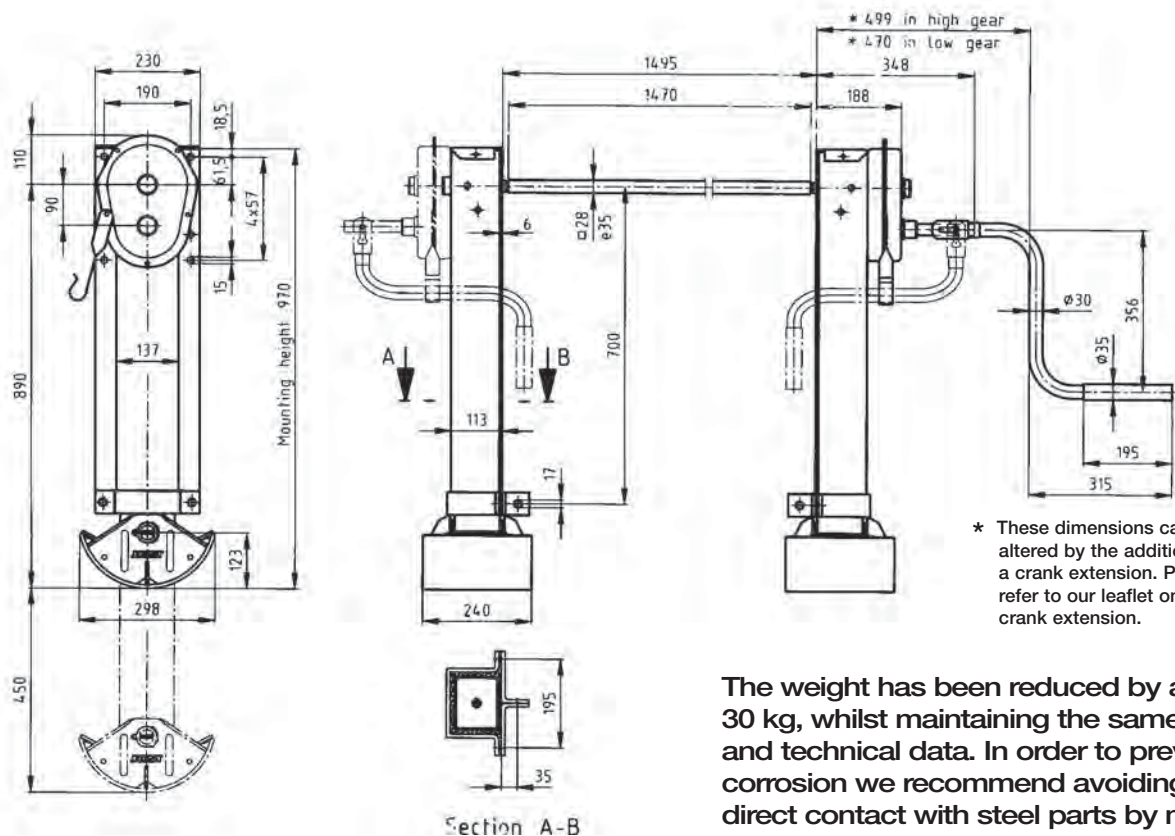
8/08

JUST Telescopic landing gear for trailers with air suspension Aluminium

Series E 100 A One side operation

This landing gear has been developed specifically for semi-trailers with air suspension. When these trailers stand for some time the chassis can sink due to loss of pressure in the suspension air bags. This results in a bending moment on the landing gear which can lead to damage.

The special rocking foot in conjunction with a reinforced inner leg can compensate for up to 130 mm horizontal movement of the chassis. Correct functioning is only possible when the trailer is standing on a hard, level surface, which will allow the rocking foot to operate.



The weight has been reduced by approx. 30 kg, whilst maintaining the same stability and technical data. In order to prevent corrosion we recommend avoiding any direct contact with steel parts by means of sufficient insulation.

Technical data

	E 100
Lifting capacity	24 t
Static load	50 t
Weight	~ 61 kg
Lift per one turn of handle	
Low gear	1.0 mm
High gear	10.6 mm
Crank force per handle	
at 12t super imposed load	17 kg
at 16t super imposed load	23 kg
at 20t super imposed load	29 kg
at 24t super imposed load	35 kg

Normal equipment:
E 100 A

- 1 jack with drive
- 1 jack without drive
- 1 crank handle
- 1 connection shaft
- 1 crank parking hook

Inset to prevent corrosion between back plate resp. brace ear and vehicle chassis JS 2118-03.

We reserve the right to alter specifications without notice

8/08

Jost Australia Pty. Ltd.
Toll Free Sydney 1800 811 487
www.jostaustralia.com.au

176

Sydney (02) 9838 8100
Brisbane (07) 3272 5777
Melbourne (03) 9360 9001
Perth (08) 9355 4137

The series number is the 3rd to 5th digit of the number on the type plate.

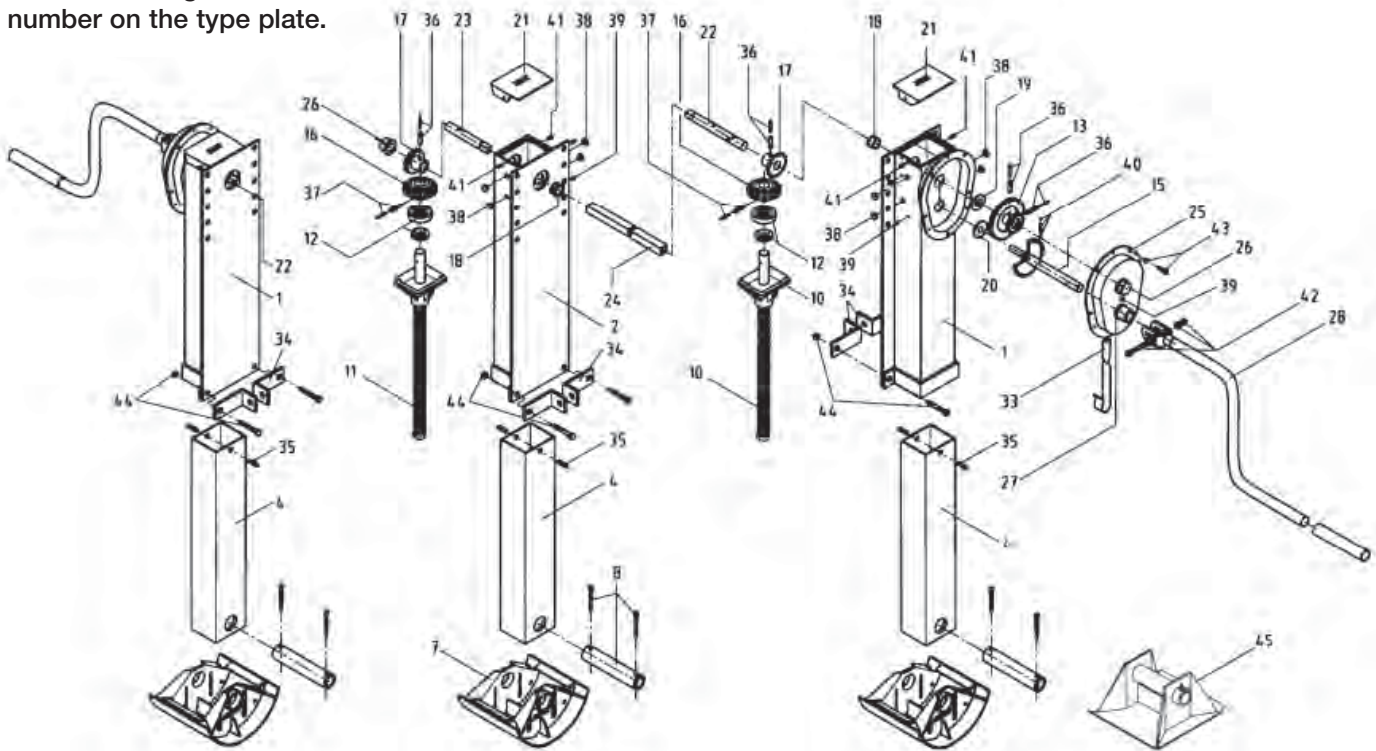


Fig.	Description	Part No.
1	Housing R.H. and L.H. (type E140)	JS 2111-12*
2	Housing	JS 2111-11*
4	Supporting tube	JS 2112-01*
7	Rocking foot	JS 2116-09
8	Axle for rocking foot compl.	JS 2118-01
9	Rocking foot compl.	JS 2116017
10	Spindle R.H. compl.	JS 2114-10*
11	Spindle L.H. compl.	JS 2114-11*
12	Thrust bearing	JS 1101-18
13	Large gear set with clamping sleeves 36	JS 1118-056
15	Gear drive pinion with ball and pressure spring	JS 4118-06
16	Large bevel gear with clamping sleeves 37	JS 1118-14
17	Small bevel gear with clamping sleeves 36	JS 1118-15
18	Bush	JS 1101-02
19	Spacer ring	JS 1101-07
20	Spacer	JS 1401-01
21	Cover plate with washer	JS 2101-03
22	Drive shaft	JS 2114-07
23	Drive shaft	JS 2114-12
24	Connection shaft	JS 1110-01
25	Gearbox cover	JS 2111-09
26	Bush	JS 1101-08
27	Bush	JS 1101-10
28	Crank handle with grip 29	JS 1118-03
33	Crank holder	JS 1101-17
34	Brace ear	JS 2111-08
35	Pin	JS 1120-07

Fig.	Description	Part No.
36	Clamping sleeves	JS 1118-08
37	Clamping sleeves	JS 1118-09
38	Plu	JS 1101-12
39	Grease nipple	JS 1120-06
40	Pressure spring with balls	JS 1118-04
41	Bolt	JS 1120-59
42	Bolt with washers and nut	JS 1118-10
43	Bolt with nut	JS 1118-11
44	Bolt with nut	JS 2118-02
45	T Foot	JS 2116-01
46	Axle	JS 2118-01

REPAIR KITS

	Leg complete R.H. with drive for type E 100	ER 100 *
	Leg complete L.H. without drive for type E 100	EL 100 *
	Leg complete R.H. with drive for type E 140	ER 140 *
	Leg complete L.H. with drive for type E 140	EL 140 *
	Inset for corrosion protection	JS 2118-03

* Important when ordering these parts please state overall height of landing gear (900, 950 or 1000 mm)

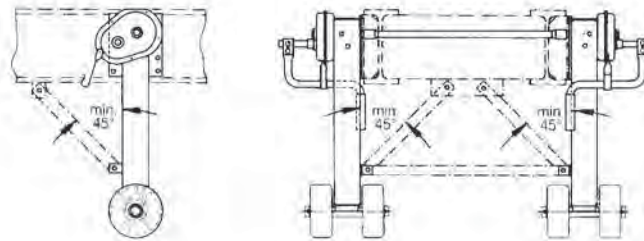
Mounting instructions

Before mounting, both jacks must be in retracted position, in order to take advantage of the total stroke after mounting connection shaft and to avoid premature ground touch of one jack. Otherwise one single jack would have to carry the total load, causing damage.

The jacks must be mounted parallel and properly aligned, otherwise the connection shaft could tilt and make the landing gear hard to operate.

When fitting crank extension JS 2 for telescopic landing gears for two side operation, note different gear box position.

Fitting and bracing should be carried out as shown below.



The introduction of air suspension on semi-trailers has resulted in an increase of related problems.

When the semi-trailer has been standing for a considerable time a loss of air in the suspension is liable to occur, causing the rear part of the trailer to sink down.

This in turn results in an angular movement of the axle, forcing the trailer in the direction of travel if the brakes are on. This movement depends on the type of air suspension, the spring deflection and the size of the tyres.

The larger the drift and the greater the force the greater is the chance of the landing gear being subjected to a force with which it cannot cope, ultimately resulting in it being bent.

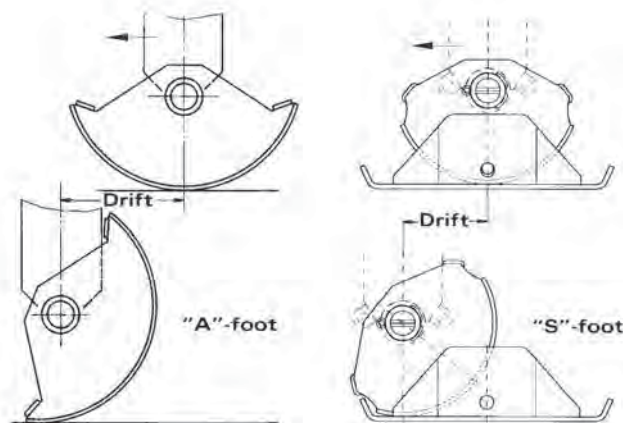
This damage is a secondary consequence of the loss of air.

This can be avoided by using landing gear with drift compensation.

The JOST "A" foot is a semi-wheel which is able to compensate for the entire movement of the trailer and remove the force of drift from the landing gear.

A paved surface is essential for the correct function of this version.

A further variation is the JOST "S" foot. The large sand shoe cannot sink in and can therefore also be used on an unpaved surface.



Operating instructions

Uncoupling:

1. Block wheels of semi-trailer.
2. Unlock and engage crank handle.
3. Wind down landing gear in high gear until ground is touched.
4. Shift to low gear position by pushing the crank handle towards the gear box and lift to necessary height.

Caution: Stop cranking when end of travel is reached.

Coupling-up:

1. After locking the fifth wheel wind-in landing gear in low gear until inner leg has left the ground.
2. Shift to high gear by pulling the crank handle and wind-in inner leg.

Caution: Stop cranking when end of travel is reached.

3. Fasten crank handle in holder, making sure that high gear is still engaged.

Attention:

If landing gear with two side operation is operated by only one person the gears of the non-operated side must be in the neutral position.

Maintenance instructions

The landing gear received adequate initial lubrication during manufacture. Relubrication is possible through grease nipples provided.

The spindle is lubricated with BP grease JS 12 by the lower of the two grease nipples located on the side of the housing. Prior to lubrication wind down the landing leg as far as possible and during lubrication slowly wind it up. For subsequent lubrication of the other greasing points we recommend the use of high pressure grease (EP) with MoS, or graphite additive, for example:

BP L2 1M

BP HT-EP 1

BP JSS2

Esso universal grease M

Shell Retinax AM

When inspecting the trailer, all parts which are subject to wear must be checked and replaced if necessary, at the latest after four years' operation.

These instructions are based on normal conditions of use. In the case of difficult operating conditions the maintenance and lubrication intervals must be reduced accordingly.

Features

- compact design
- long life high precision power train
- 480 mm lift
- full length back plate
- shock resistant
- maximum resistance to bending
- vertical gear box

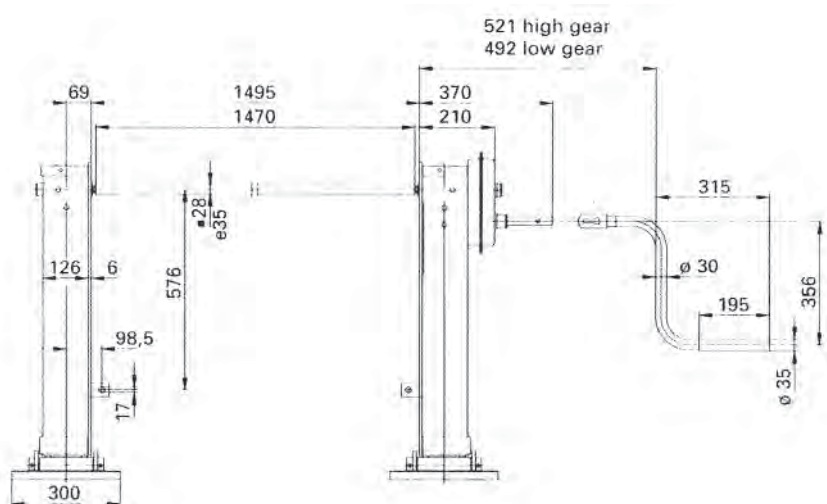
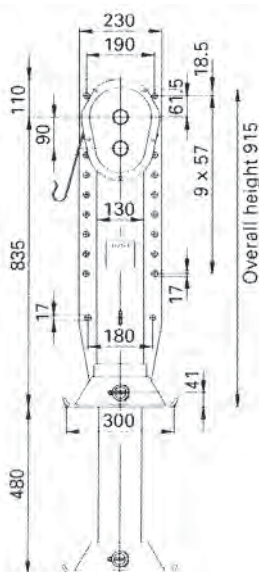
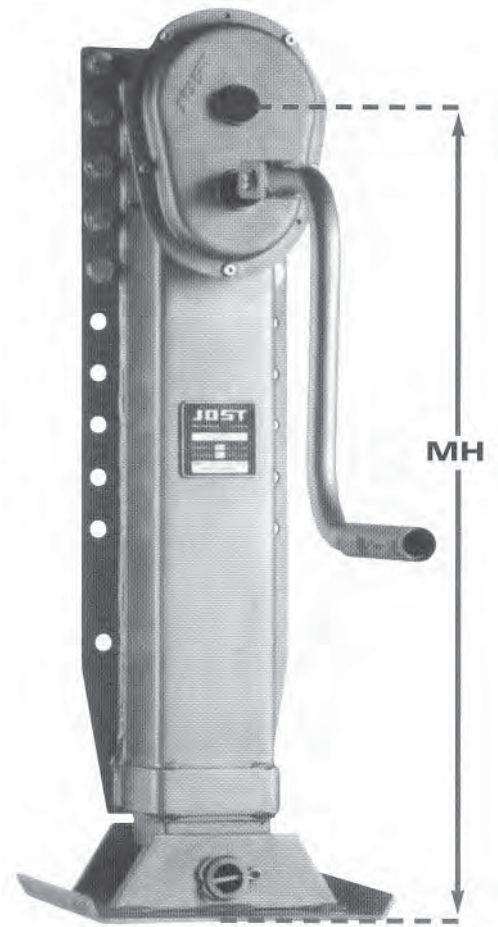
Technical Data

D 200 T

mounting height (MH)	835 mm
lift	480 mm
lifting capacity	24 t
static load	50 t
lift per turn of the crank	
- low gear	1,0 mm
- high gear	10,6 t
crank force at 16 t load	230 N

The weight of 1 complete set of D 200 T (left/right leg, connection shaft, crank) is 118kg.

* Also available with air suspension foot.



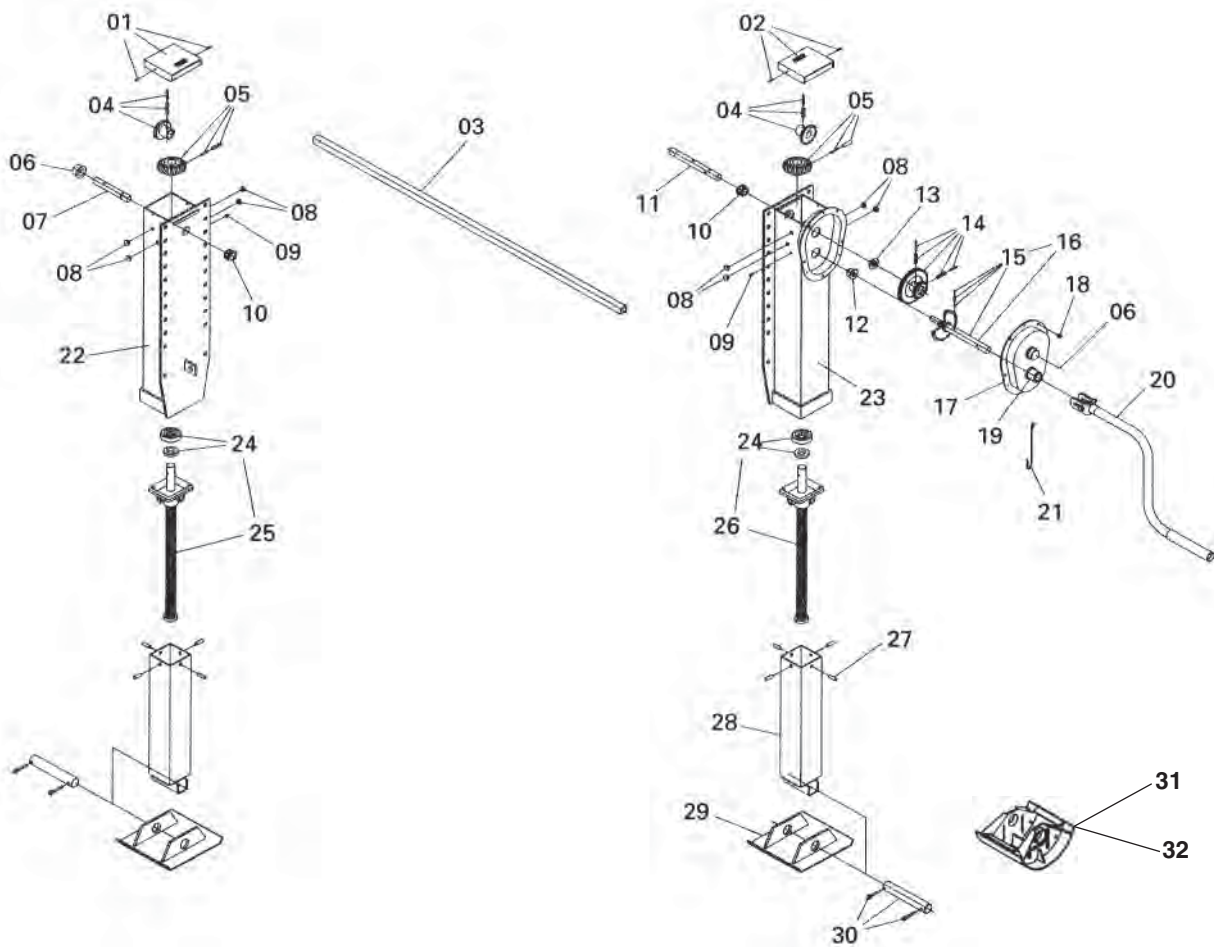


Fig.	Description	Part No.
1	Cover, left with screws	DS 4118-0132
2	Cover, right with screws	DS 4118-0132
3	Connection shaft	DS-L10
4	Small bevel gear with clamping sleeves	DS 1118-0015
5	Large bevel gear with clamping sleeves	DS 1118-0014
6	Bearing	DS 1101-0008
7	Drive shaft	DS 4114-0004
8	Plug	DS 1101-0012
9	Grease nipple	DS 1101-0177
10	Collar	DS 1101-0002
11	Drive shaft	DS 4114-0003
12	Bearing	DS 4101-0113
13	Bearing	DS 1101-0007
14	Large gear set with clamping sleeves	DS 1118-0005
15	Pressure spring with balls	DS 1118-0004
16	Crank drive pinion with pressure spring and balls	DS 1118-0006
17	Gearbox cover	DS 7111-0001
18	Self tapping screw	DS 1120-0073
19	Bush	DS 1101-0017
20	Crank handle with crank handle grip	DS-U85

Fig.	Description	Part No.
21	Crank parking hook	DS 1101-0017
22	Shaft left	DS 4118-0131
23	Shaft right	DS 4118-0130
24	Thrust bearing	DS 1101-0160
25	Spindle left, compl.	DS 4114-0130
26	Spindle right, compl.	DS 4114-0129
27	Pin	DS 1120-0007
28	Supporting tube	DS 4112-0131
29	Sand shoe	DS 4116-0145
30	Axle for sand shoe compl.	DS 4118-0096
31	Airbag foot	DS D02
32	T foot compl. includes 29&30	DS D04
REPAIR KITS		
Leg complete R.H. with drive		for type D200T00000
Leg complete L.H. without drive		for type D200T00000

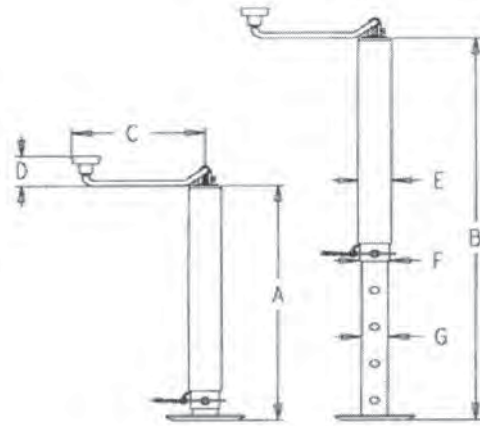
Buyers Jockey Legs



Part Number: BPC 0091310

**2-1/2" Square Tube Jack
Top Wind 26" Travel**

**Capacity: 7000lbs
Weight: 12.5lbs**



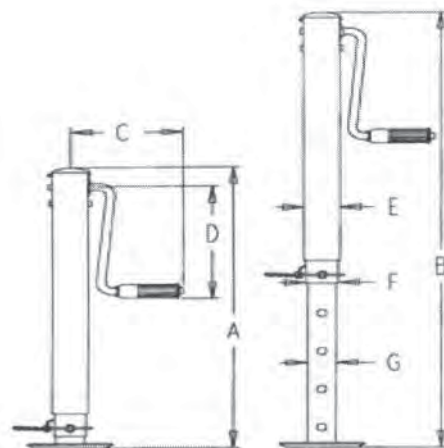
Part No	A Retracted	A Extended	B Retracted	B Extended	C	D	E	F	G
0091310	22.38"	38.0"	36.0"	51.63"	10.0"	2.75"	2.50"	2.25"	2.0"



Part Number: BPC 0091340

**2-1/2" Square Tube Jack
Side Wind 26" Travel**

**Capacity: 7000lbs
Weight: 12.5lbs**



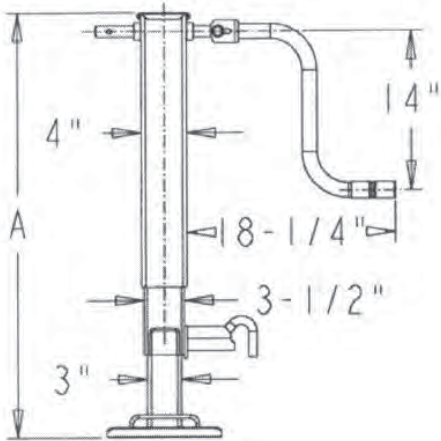
Part No	A Retracted	A Extended	B Retracted	B Extended	C	D	E	F	G
0091340	22.38"	38.0"	36.0"	51.63"	10.0"	2.75"	2.50"	2.25"	2.0"

Buyers Jockey Legs



Part Number: BPC 0091405
4-1/2" Heavy Duty Square Tube Jack
Side Wind

Capacity: 12000lbs
Weight: 60lbs

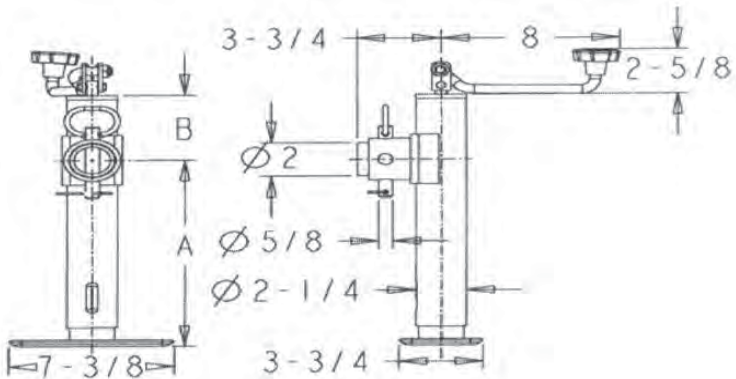


Part No	A Retracted	A Extended	Travel
0091405	27.50"	53.50"	12.50"



Part Number: BPC 0091205 - 0091215
Swivel Jockey Leg
Top Wind 10" Travel

Capacity: 20000lbs
Weight: 11.14lbs



Part No	A Retracted	A Extended	B
0091250	10.75"	21.0"	3.75"
0091215	14.50"	29.0"	9.75"



**Automatic
towing hitches
& tow eyes**

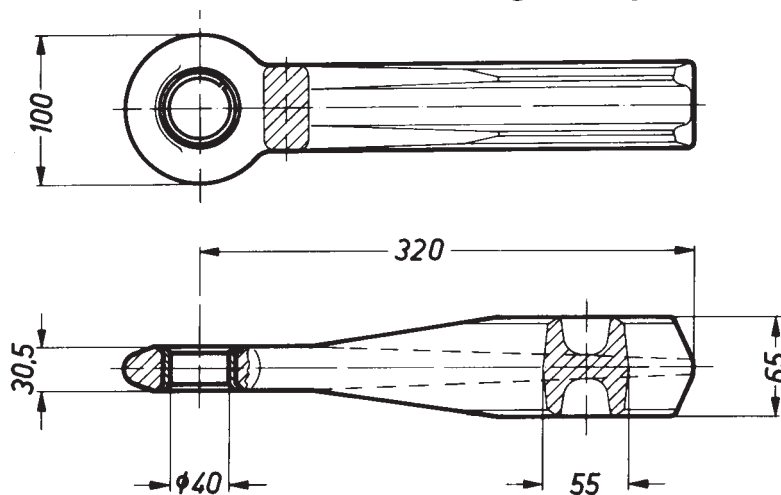
Rock 57374

Towing eyes according to DIN 74054-40A
pressed-in replaceable towing eye sleeve 40 mm inner diameter

D-value 120kN

CRN 24527

weight 6 kg



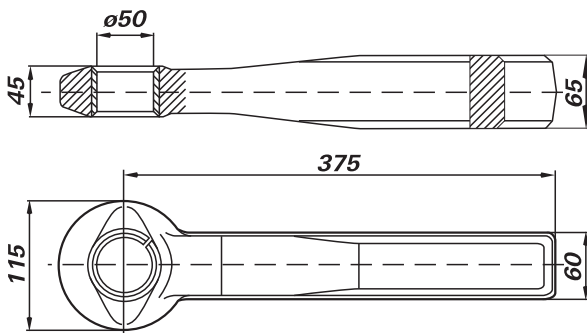
The right to alter specifications is reserved.

8/08

Rock 57272

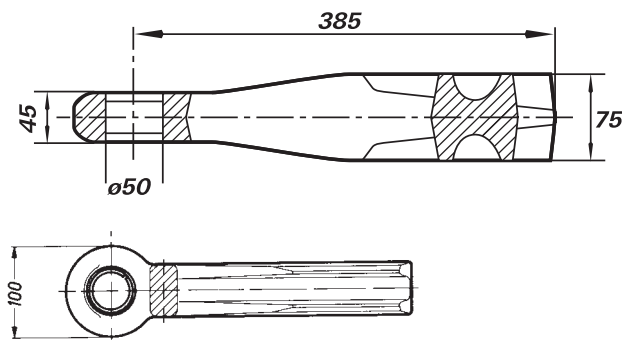
Towing eyes according to DIN 74053

pressed-in replaceable towing eye sleeve 50 mm inner diameter



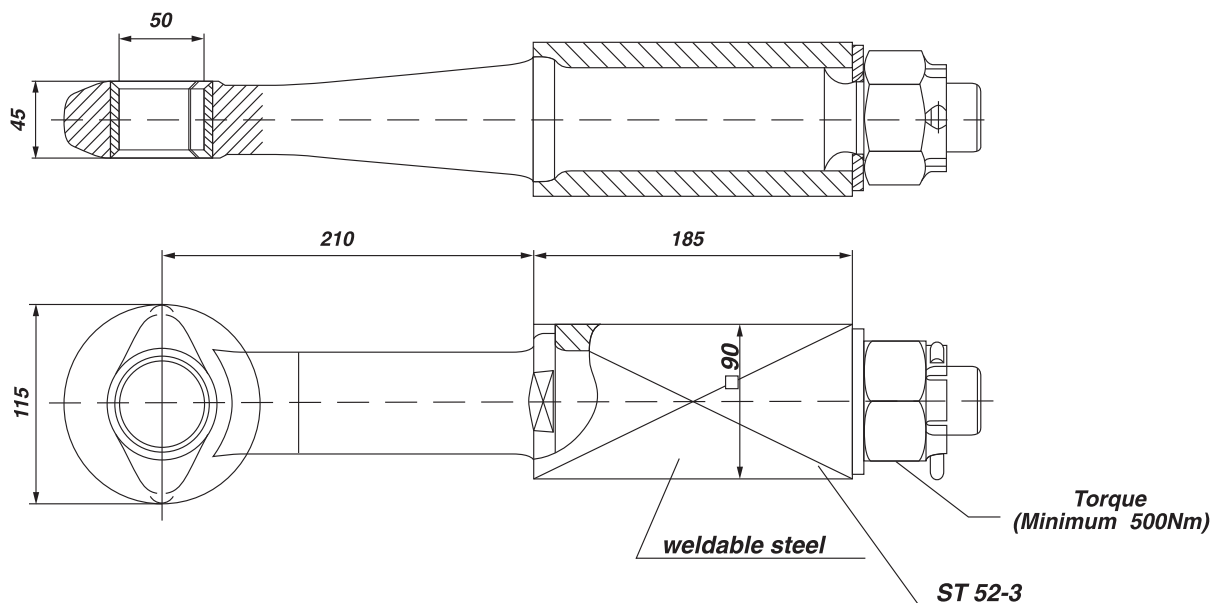
Part no. Rock 57272
Material: heat-treated steel St 52-3
D-value: 191 kN
Weight: 10.3 kgs
Down Load: 1000 kgs
CRN: 29202

Rock 57394 c/w solid bush



Part no. Rock 57394
Material: heat-treated steel St 52-3
D-value: 314kN
Weight: 13.4 kgs
Down Load: 1000 kgs
D-value is reduced to 190kN with 100 kgs down load.
CRN: 24529

Rock 57254



Part no.: Rock 57254
Material: Steel Ck 45
 heat-treated
 to 630 - 780 N/mm²
D-Value: 191 kN
Weight: 18,5 kg
CRN: 29201

The right to alter specifications is reserved.

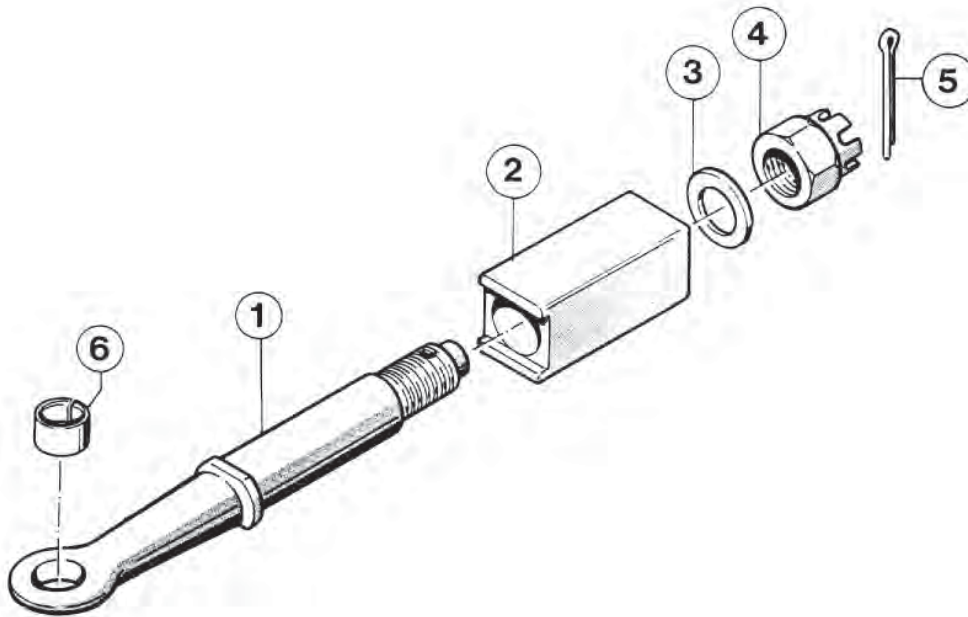
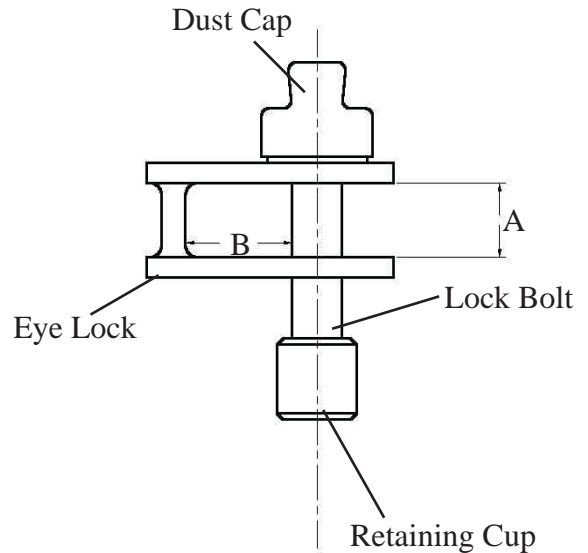
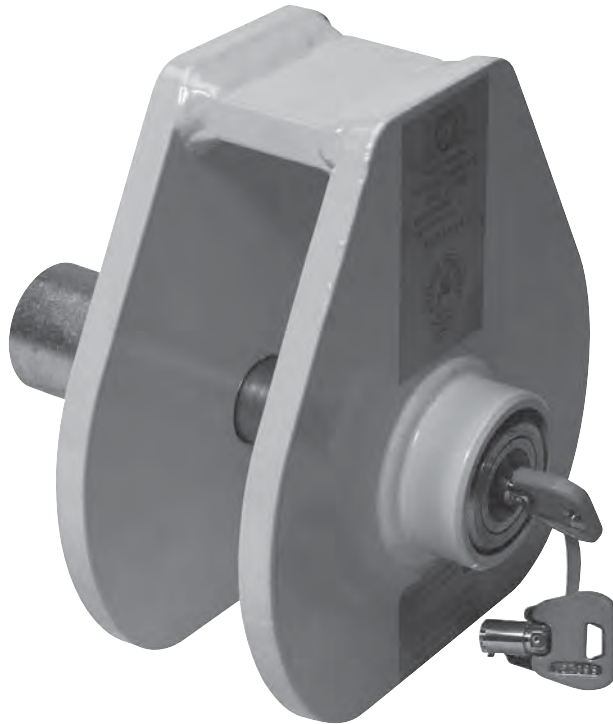


Fig.	Description	Part No.
1,3,4,5,6	Towing eye with Fig. 6	Rock 57292
2	Towing eye housing	AK 1271
3	Washer	AK 1272
4	Nut	AK 1265
5	Split pin	AK 1273
6	Solid Bush	R 53004

Jost Tow Eye Lock



Features:-

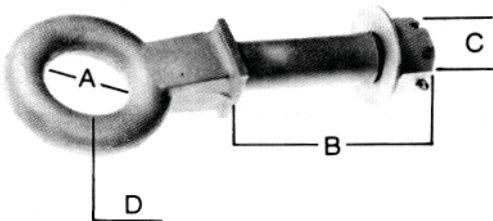
1. 10mm thick top and bottom plate, case hardened.
2. No padlock, uses highly developed Super Lock Bolt, 25.4mm diameter, case hardened body. Anti drill centre pin, 10 pin radial pin tumbler lock insert with over 1 million possible key combinations.
3. Easy to operate, only the lock bolt needs to be removed to unlock trailer.
4. Lock bolt can only be locked/unlocked using key, no accidental locking possible.
5. Dust cap provided to prevent ingress of dust and dirt into lock.
6. Finished in highly visible, yellow powder coating.
7. 2 keys supplied with lock as standard. Multiple locks can be supplied with same key for fleet or multi user applications.
8. Independantly tested and approved by SCM. Approval No. MP030417.

Model	Dimension 'A'	Dimension 'B'	Weight
SA12 Eye Lock	51mm	95mm	5.0kg

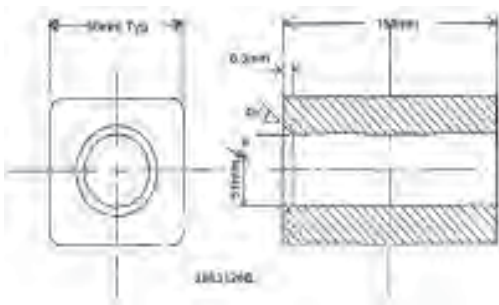
Towing eyes



Part no. BPC BDB 1394
Model: 45-Ton Forged Heavy Duty Towing Eye
Description: Finished with black powder coat for superior durability and corrosion resistance.
D-Value: 165kn
CRN: 37264
Dimensions: 3" I.D. with 1.62" section drawbar with 4 hole square mounting plate.



Part no. JOST 0063126
Model: 51337 Demountable Eye JOST 0063126B Mtg Block
Max Capacity: 25 Tonne
Vertical Load: 4.5 Tonne
D Rating: 8 Tonne
CRN: 41615
Weight: 11 kg



A=3" B=8 5/16" C=2" D=1 5/8"



Welding instructions recommended for Rockinger Drawbar Eyes

1. Rockinger drawbar eyes are provided for welding into the drawbar by electric arc welding, preferably done under a protective gas shield.
2. The steel of the drawbar has to be weldable, e.g. made of St 37-2 or St 52-3 or any other compatible weldable steel with a carbon content of less than 0.22%.
3. Remove all paint, grease and rust from welding surfaces. Heating up of drawbar eye to 200 - 250°C before beginning to weld is recommended.
4. The drawbar eye must not be welded within a length of *mm measured from the middle of the drawbar eye access towards the back. This part should protrude out of the drawbar.
5. The welding should be exercised in one seam at a time only, in order to avoid overheating the surrounding space of the welding seam.
6. Carry the welding onwards to the direction of the drawbar eye access in one procedure.
7. All seams have to be layed in longitudinal direction of the drawbar eye's shaft. Never and by no means crosswire.
8. Each seam of welding should be set one by one diagonally opposite to the last one, so you maintain an even radiation of heat.
9. Cooling down of the welding should take place where the air is still; do not immerse into water or pour water over it.
10. If wanted, you can place slot welds through the lateral surface of the drawbar's sectional steel. This is in order to fix the drawbar shaft to the drawbar additionally.
11. The thickness of the welding seams is to be approximately 8mm in full V-shape or half V-shape.
12. The thickness of the sectional connecting bars should be atleast 8mm, better from 10mm - 12mm.

Drawbar eyes:

57268 DIN	65 x 55	ø 40mm = 210mm
57262 DIN	50 x 40	ø 40mm = 210mm
57260 DIN	40 x 40	ø 40mm = 210mm
57272 DIN + ISO	65 x 60	ø 50mm = 210mm
57254 Rockinger for 56, 561 and 702		ø 50mm = 195mm
57006 ring 41 strong, NATO		ø 76mm = 180mm

8/08

Coupling and drawbar eye size

- Hole pattern in the crossbar of the towing vehicle
- Hole pattern in the coupling flange
- Pin size of the coupling

Characteristic values

- Values of the coupling
- Values of towing vehicle and trailer (see vehicle registration certificate)
- Values of the drawbar eye

Truck and trailer: D-value



$$F1 \rightarrow D \text{ (kN)} = g \cdot \frac{T \cdot R}{T + R}$$

$$F2 \rightarrow D \text{ (kN)} = g \cdot \frac{R_1 \cdot R_2}{R_1 + R_2}$$

- Theoretical horizontal force between towing vehicle and trailer
- The D-value can only be calculated with the permissible total weight of **both** truck and trailer.
- Calculation of the D-value [kN] with formula 1 (F1):

T: Total weight of the towing vehicle in t

R: total weight of the drawbar trailer in t

g: Gravitation acceleration 9,81 m/s²

The calculated D-value can be **equal** to or **lower** than the D-value of the coupling and of the drawbar eye.

In case of mounting on a trailer is permitted use formula 2 (F2):

R1: Total weight of trailer where the coupling is mounted (max. 24 t) $R_1 \neq R_2$

Towing vehicle and central-axle trailer: Dc-value (Valid only in connection with the V-value)



$$F3 \rightarrow Dc \text{ (kN)} = g \cdot \frac{T \cdot C}{T + C}$$

- Theoretical horizontal force between towing vehicle and trailer
- The Dc-value can only be calculated with the permissible total weight of **both** towing vehicle and central-axle trailer.
- Calculation of the Dc-value with formula 3 (F3):

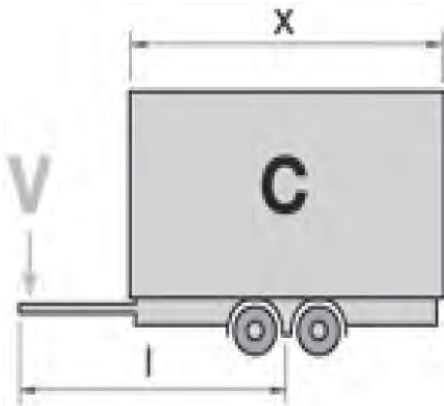
T: Total weight of the towing vehicle in t

C: Sum of the axle loads of the central-axle trailer in t

g: Gravitation acceleration 9,81 m/s²

The calculated Dc-value can be **equal** to or **lower** than the Dc-value of the coupling and of the drawbar eye.

Central-axle trailer: V-value (Valid only in connection with the Dc-value)



$$F4 \rightarrow V \text{ (kN)} = a \cdot \frac{x^2}{l^2} \cdot C$$

- Vertical force for central-axle trailer
- Dependent on the rear axle suspension of the towing vehicle.
- Calculation of the V-value [kN] with formula 4 (F4):

a: An equivalent verticle acceleration in the coupling point in m/s^2

(a = 1, 8 for vehicles with air suspension/ a = 2, 4 for vehicles with other suspensions)

l: Theoretical drawbar length in meters

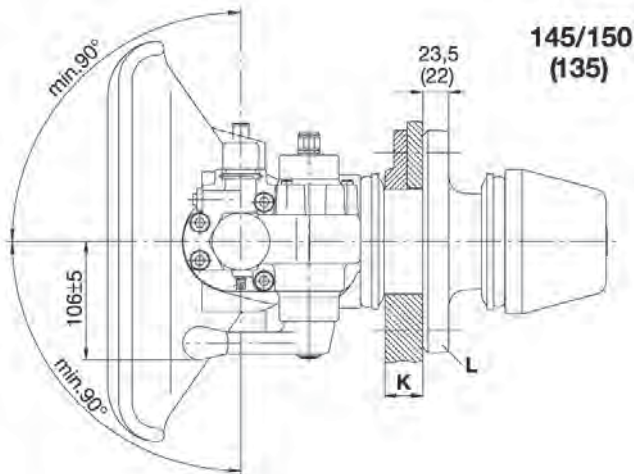
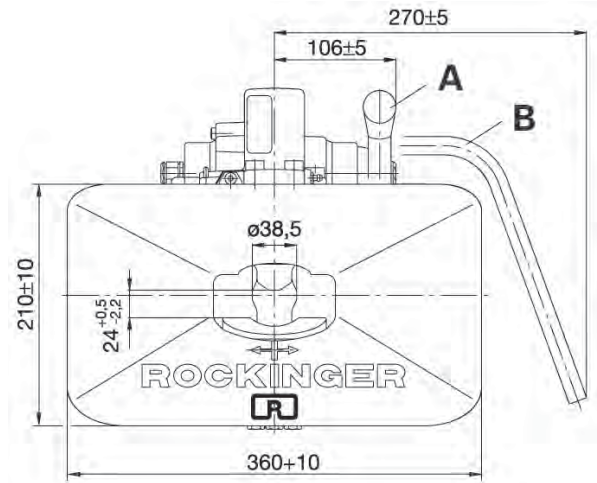
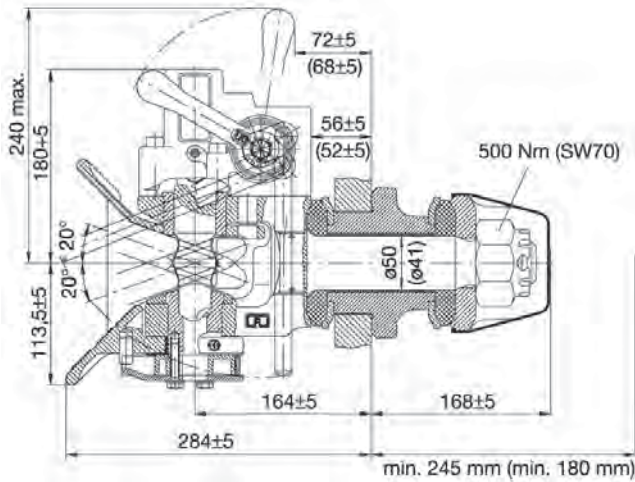
x: Length of the loading area in meters (x^2/l^2 : atleast 1, 0)

C: Sum of the axle loads of the central-axle trailer in t

The calculated V-value can be **equal** to or **lower** than the V-value of the coupling and of the drawbar eye.

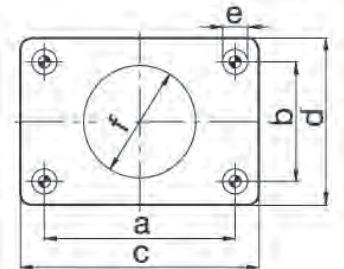
Central-axle trailer: Static vertical load (Valid only in connection with the V-value)

- Vertical load of the central-axle trailer on the coupling point.
- The vertical load depends on the size of the coupling and the maximum is 10% of the gross weight of the trailer or 1000kg (whichever is less).
- When using a central-axle trailer the vertical load should amount to at 4% of the trailer weight in order to prevent increased wear caused by bouncing of the drawbar eye.



Series RO*400

Type 400 G 150 e1 00-0350
for drawbar eyes 40 to
DIN 74054 and EC class S



Size	a (mm)	b (mm)	c (mm)	d (mm)	e (mm)	f (mm)
150	160	100	200	140	21	94

Centre-Axle Trailer

Part no. Hand lever up	Part no. Hand lever down	Size	Hole pattern (mm)	Admissible D-value*(kN)	Admissible Dc-value* (kg)	Admissible static vertical load**	Admissible V-value* (kN)	Weight (kg)
400A5100	400B5100	150	160 x 100	130	90	1000	35	31

* Please refer to list A for calculation

** Recommendation: with centre-axle trailers the static vertical load should be atleast 4% of the towed load to avoid a negative vertical load which can cause damage.

Upgrade kits:

- Mechanical remote control part no. 70962
- Hydraulic remote control In preparation
- In-cab status indicator part no. 70936
- Drawbar turn angle warning system part no. 70935

Grip (KL in drawing):

- Centre-axle trailer**
 - G 135 11mm - 32mm
 - G 145/G 150 11mm - 35mm
- Full trailer**
 - G 135 max. 32mm
 - G 145/G 150 max. 35mm

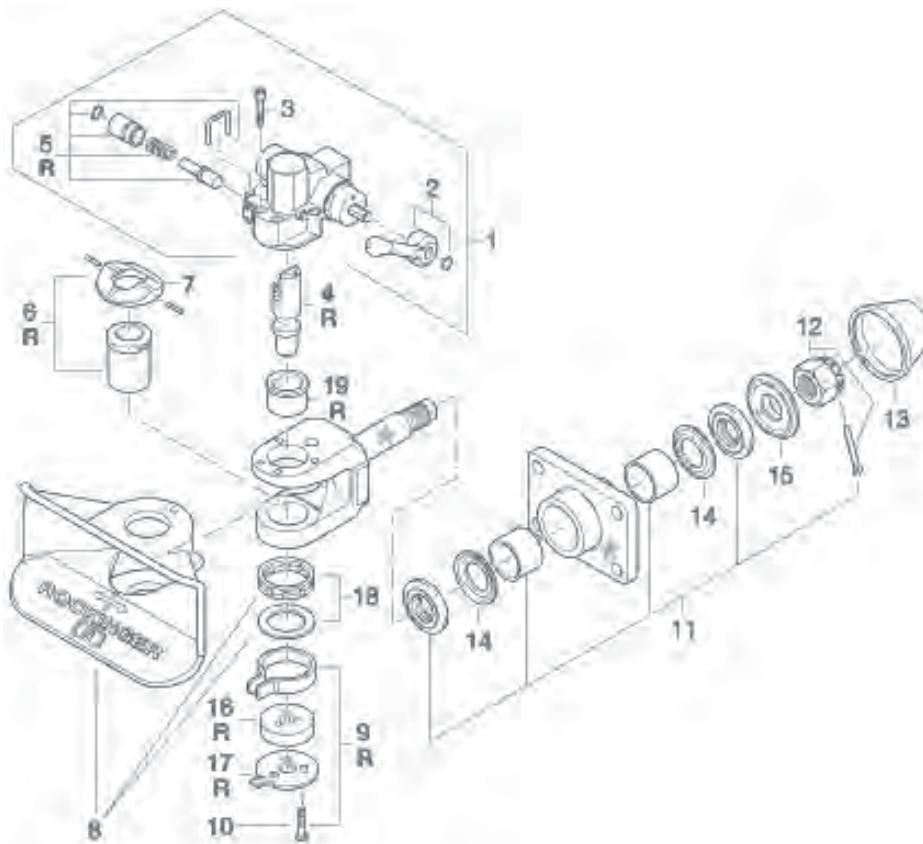
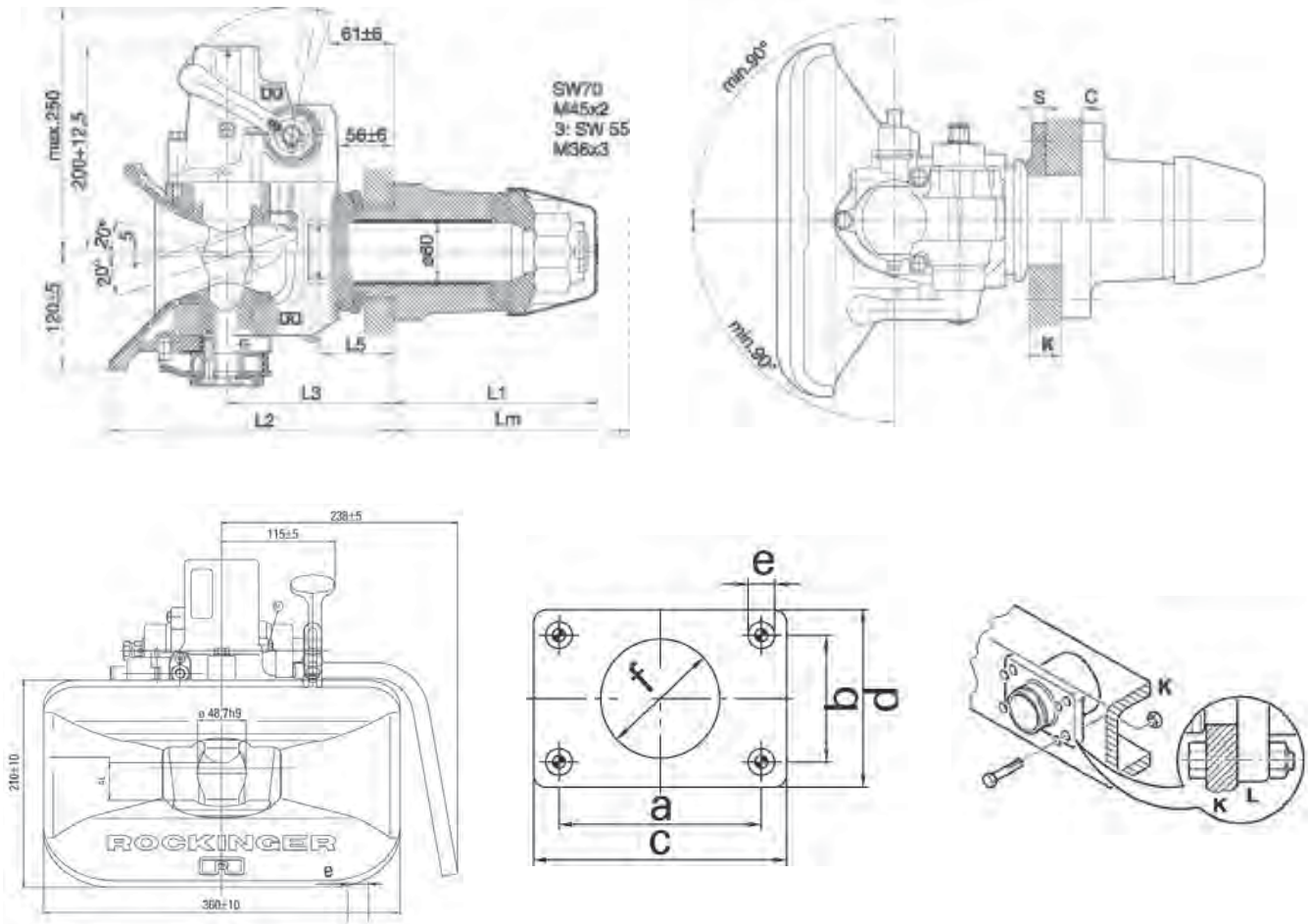


Fig.	Description	Remark	Part No.	Quantity
1	Automatic unit	without 4	R 70944	1
2	Hand lever	A	R 50244	1
2	Hand lever	B	R 70735	1
4	Coupling pin ¹		R 47099	1
5	Safety system		R 70925	1
6	Lower bush	with 7	R 53519	1
7	Support ring ²		R 59278	1
8	Funnel	with 18	R 70812	1
11	Bearing repair set	for 46, 51	R 25477	1
13	Nut cover	for 46, 51	R 25347	1
16	Guide bush		R 53467	1
17	Base plate		R 65626	1
18	Bearing rings for funnel		R 25479	1
19	Upper bush		R 53520	1
R	Repair set	4, 6, 9, 16, 17, 19	R 71124	1

¹ When replacing the coupling pin (4), please check the safety system (5) and if required, substitute it.

² Before replacing the support ring (7) the lower bush (6) is to be cleaned.



Size	a (mm)	b (mm)	c (mm)	d (mm)	e (mm)	f (mm)
5/6	160	100	200	140	21	94

Size model	L1 (mm)	L2 (mm)	L3 (mm)	Lm (mm)	C (mm)	S (mm)
63	184	315	195	min. 260	23,5	13

Centre-Axle Trailer

Order no.	Size	Hole pattern (mm)	Admissible D-value ² (kN)	Admissible Dc-value* (kN)	Admissible static vertical load ³ (kg)	Admissible V-value ² (kN)	KL ⁴ (mm)	Drawbar trailer KL ⁴ (mm max.)
500A6300	6	160 x 100	260	113	2500	43,2	28-35	35

¹ Hand lever down

² Please refer to list A for calculation

³ Recommendation: with centre-axle trailers the static vertical load should be atleast 4% of the towed load to avoid a negative vertical load which can cause damage.

⁴ Max. grip

**Jost's RO*500 now rated to 260kN
"D" value at zero download
i.e hinged drawbar application
CRN 28986**

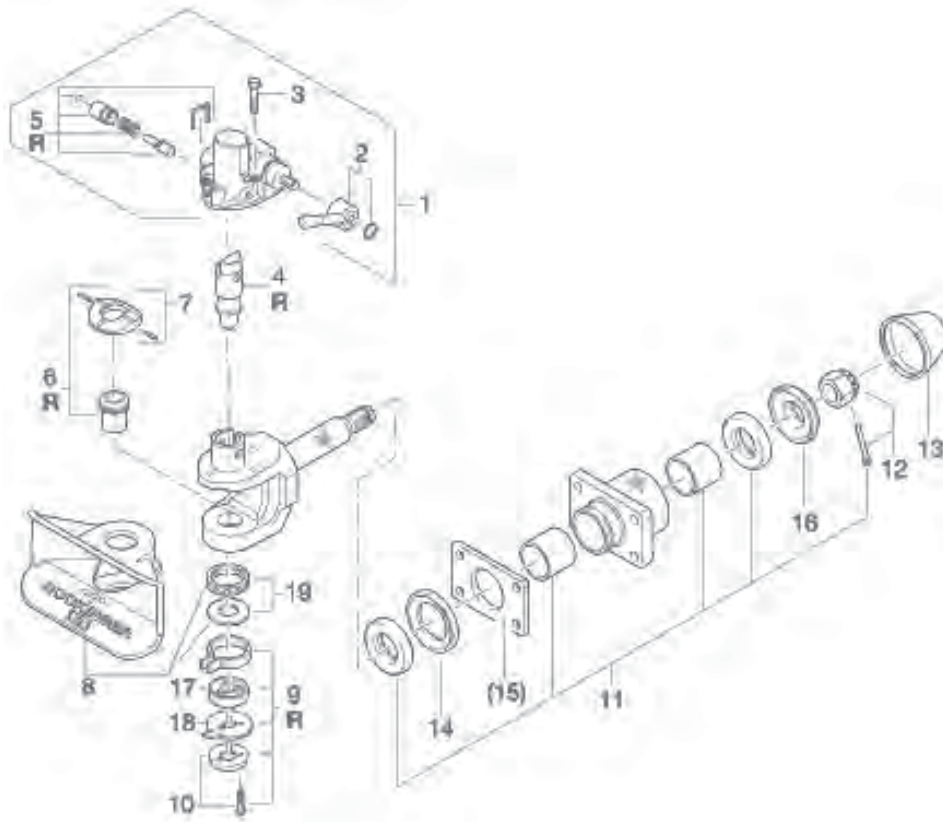
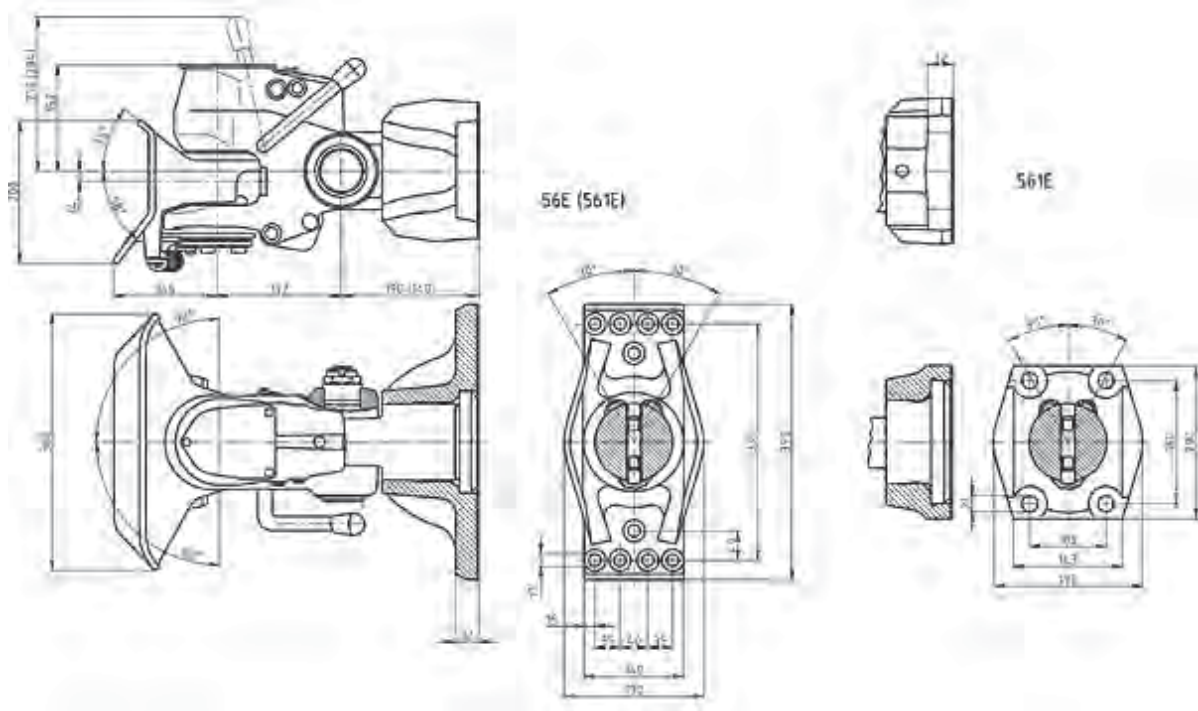
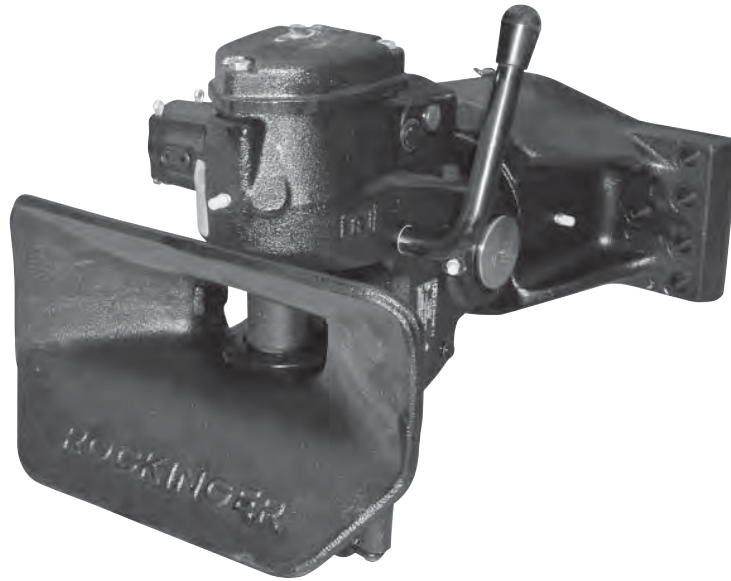


Fig.	Description	Remark	Part No.	Quantity
1	Automatic unit	without 4	R 70849	1
2	Hand lever	A	R 50244	1
2	Hand lever	B - Australian version	R 70735	1
3	Screw set		R 30269	1
4	Coupling pin ¹	with grease tube	R 47081	1
5	Safety system	revision 1	R 70925	1
5	Safety pin	revision 0	R 52439	1
6	Lower bush (bronze)	with 7	R 53490	1
6	Lower bush (steel)	with 7	R 53536	1
7	Support ring (bronze) ²		R 70850	1
7	Support ring (steel) ²		R 70851	1
8	Funnel	with 19	R 46111	1
8	Funnel	with 19, reinforced	R 46118	1
9	Base plate set		R 65693	1
10	Screw set	with protection	R 30358	1
11	Bearing repair kit	for 6	R 25345	1
12	Castle nut	for 6, with split pin	R 56102	1
13	Nut cover	for 4, 5, 6	R 25347	1
15	Support plate	for reinforced version	R 59144	1
16	Conical cap	for 6	R 59141	1
17	Guide bush		R 53467	1
18	Base plate		R 65626	1
19	Bearing rings for funnel		R 25479	1
R	Repair set	4, 5, 6, 9	R 71125	1

¹ When replacing the coupling pin (4), please check the safety system (5) and if required, substitute it.

² Before replacing the support ring (7) the lower bush (6) is to be cleaned.



Versions available

Order no.	(mm)	D-value	Weight	CRN
RO 56E	s. drawing	314	80	39824

50mm fully automatic trailer coupling
Heavy duty coupling for highway and off road

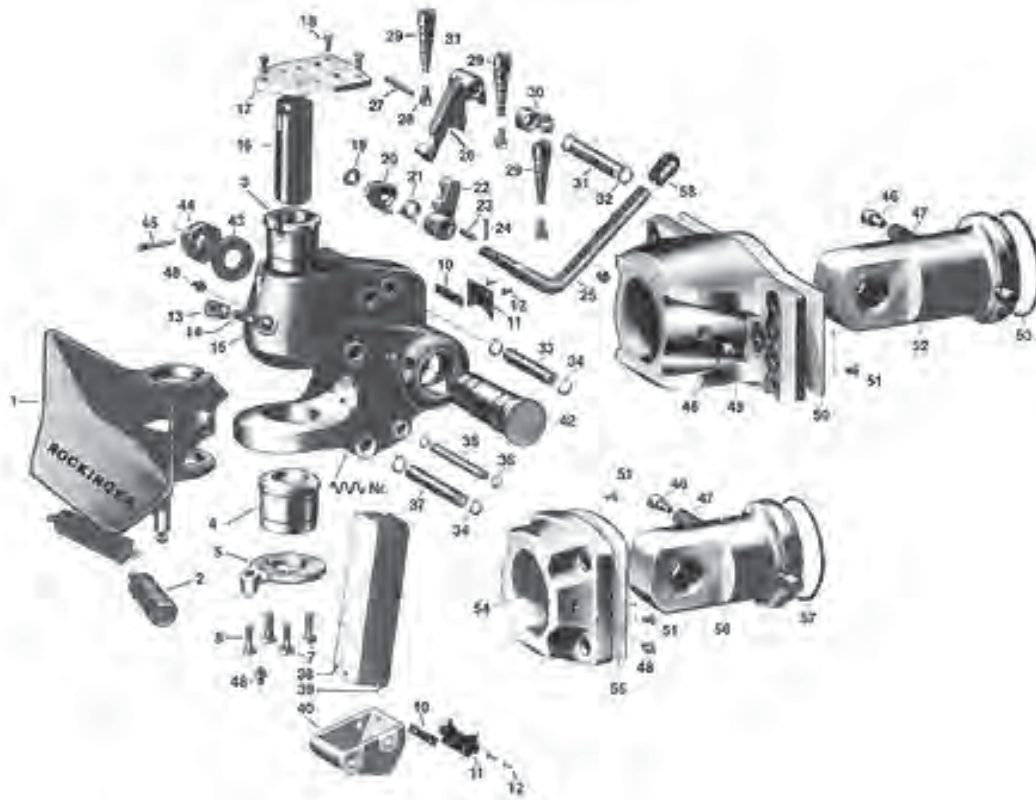
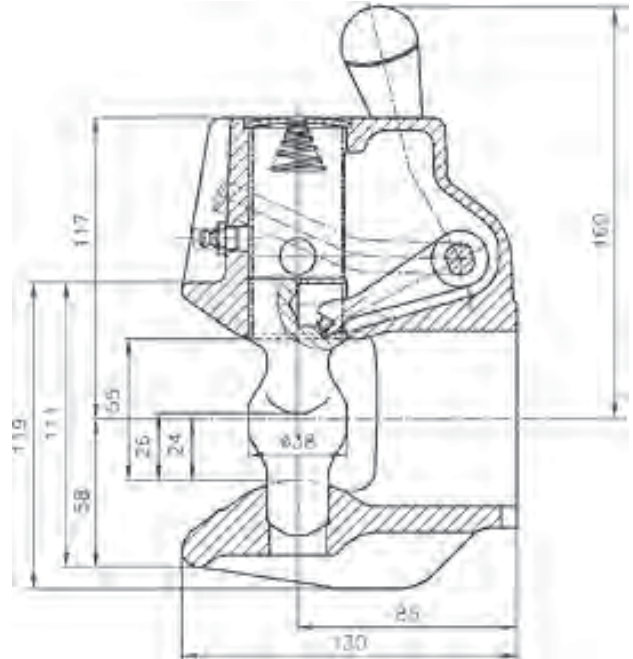


Fig.	Description	Remark	Part No.	Quantity
1	Funnel	with 3	70463	1
2	Funnel spring		55005	2
3	Upper bush		53019	1
4	Lower bush	for vers. E	53244	1
5	Base plate		65549	1
7	Bolt M 10 x 28	DIN 9311	57236	1
8	Bolt M 10 x 30		56024	1
10	Spacer		15008	1
11	Buffer cover		25010	2
15	Safety pin		68000	1
16	Hitch pin	for vers. E	47041	1
17	Sealing cover	with spring cap	65009	1
18	Bolt M 6 x 12		70249	1
19	Washer 16		33011	1
20	Notch lever		51012	1
22	Locking lever		51013	1
23	Grooved pin 8 x 30	DIN 1474	32007	1
25	Hand lever	for type 561 E	50092	1
25	Hand lever	B, for type 56 EU	50177	1
25	Hand lever	for type 56 E	50084	1
26	Lifting lever	with pin 27	51036	1
28	Locking spring cam		13005	3
29	Locking spring		55024	3
30	Support		65010	1
31	Axle to lift up lever		52002	1
33	Bolt 18 x 113		52011	1
37	Bolt 18 x 139		52009	1
38	Leaf spring 2		55026	14
40	Spring cap	with 10, 11, 12	65066	1
43	Washer 31		33002	1
46	Notch cam		52014	2
47	Cam spring		55028	1
50	Spacer		54274	1
52	Drawbar element	for type 56 E	42016	1
53	O-ring or 129, 2-5, 7		25062	1
55	Spacer		54276	1
56	Drawbar element	for type 561 E	42014	1
57	O-ring or 149, 2-5, 7		25063	1
58	Cap		25104	1
R	Repair set	3,4,16,21,24,32,34,34-1,35,36,39, 42,44,45,48,48-2,49,54	66920	
R	Repair set	3,4,16,21,24,32,34,34-1,35,36,39, 42,44,45,48,48-1,48-2,49,54	67252	



Versions available

Order no.	A/B	Size	Hole pattern (mm)	Admissible D-value ¹ (kN)	Admissible Dc-value ¹ (kN)	Admissible static vertical load (kg)	Admissible V-value ¹ (kN)	(kg)	e1 CE/94/20/cl. C50-X
243A3500	A	135	120 x 55	30	30	350	12,0	4,4	00-0051

¹ s. p. 14

² diagonal

Also for industrial trucks (transport carts, fork lift trucks, etc.) with maximum total weight up to 5t and maximum towed load up to 20t (without vertical load only for inside-factory transport).

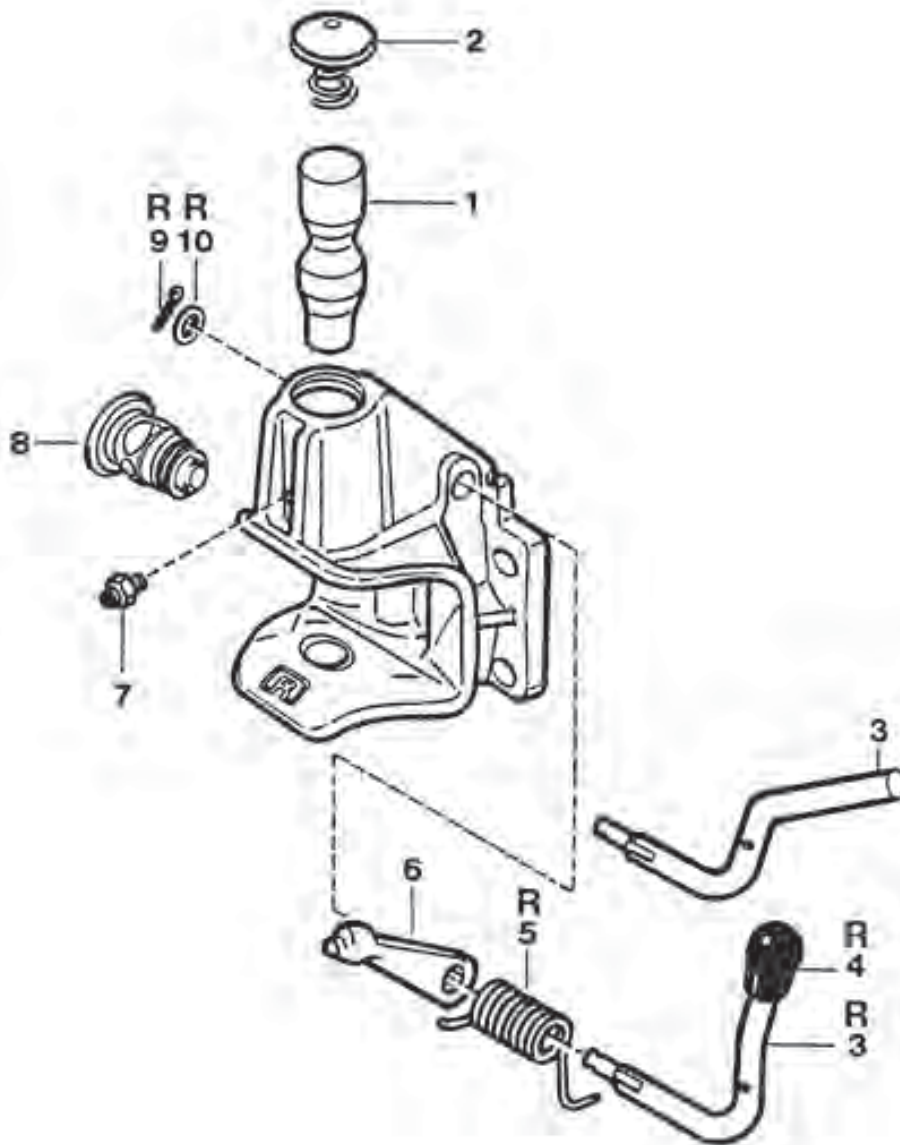
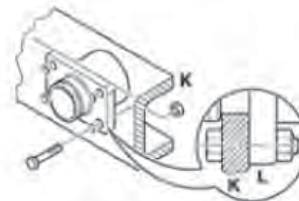
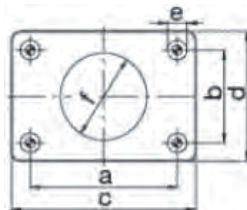
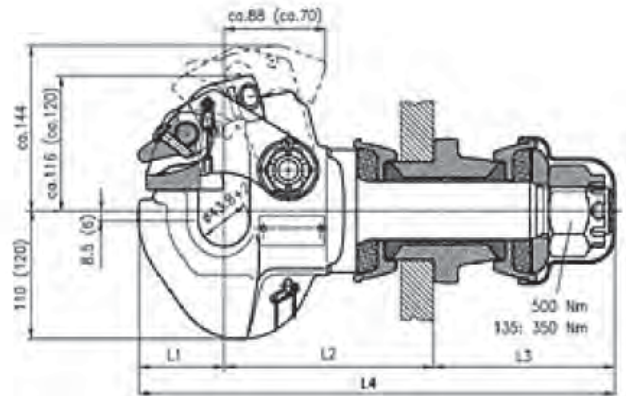
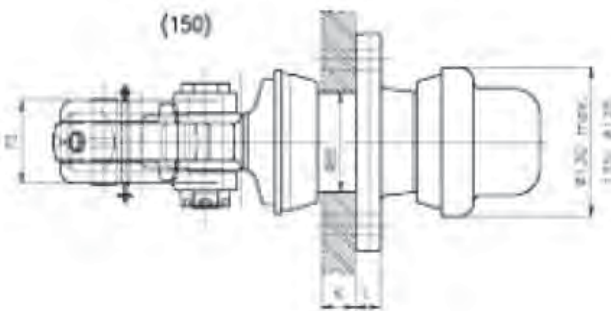
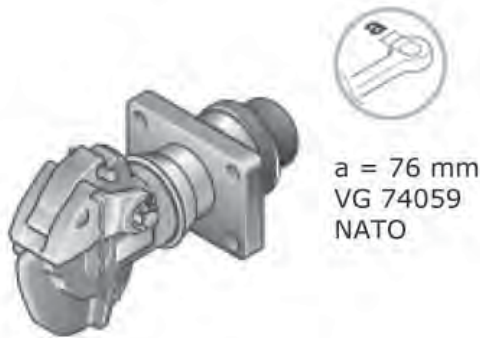


Fig.	Description	Remark	Part No.	Quantity
1	Coupling pin		R 47026	1
2	Sealing cover		R 67411	1
3	Hand lever	for vers. K, S and A35 with 4, 9, 10	R 70353	1
3	Hand lever	with 9, 10 for vers. new B11, B12; old L, V	R 70354	1
3	Hand lever	with 4, 9, 10 for vers. new A11, A12; old N, U	R 70355	1
4	Cap		R 25106	1
5	Locking spring	in 6		1
6	Repair set locking lever	3, 4, 5, 9, 10	R 70927	1
7	Drive-in grease nipple A 10 x 1		R 65018	1
8	Safety system		R 70618	1
9	Split pin	in 3, 6		1
10	Washer	in 3, 6		1
	Type plate	on request		

Technical Specification

Hook trailer coupling with buffers and safety lock



Size	L1 (mm)	L2 (mm)	L3 (mm)	L4 (mm)
135	74	167	131	372
145	88	180	156	410
150	88	180	156	424

Size	a (mm)	b (mm)	c (mm)	d (mm)	e (mm)	f (mm)
150	160,0	100,0	200,0	140,0	21,0	94,0

Size	a (mm)	b (mm)
5/6	160	100

Versions available

Order no.	Size	Hole pattern (mm)	Admissible D-value ¹ (kN)	Admissible Dc-value ¹ (kN)	Admissible static vertical load (kg)	Admissible V-value ¹ (kN)	Centre-axle trailer weight (t)	Semitrailer weight (t)	(kg)
283A5000	150	160 x 100	160		1500			40	31,0
283A5009	150	160 x 100	160		1500			40	31,0

¹ s. p. 14

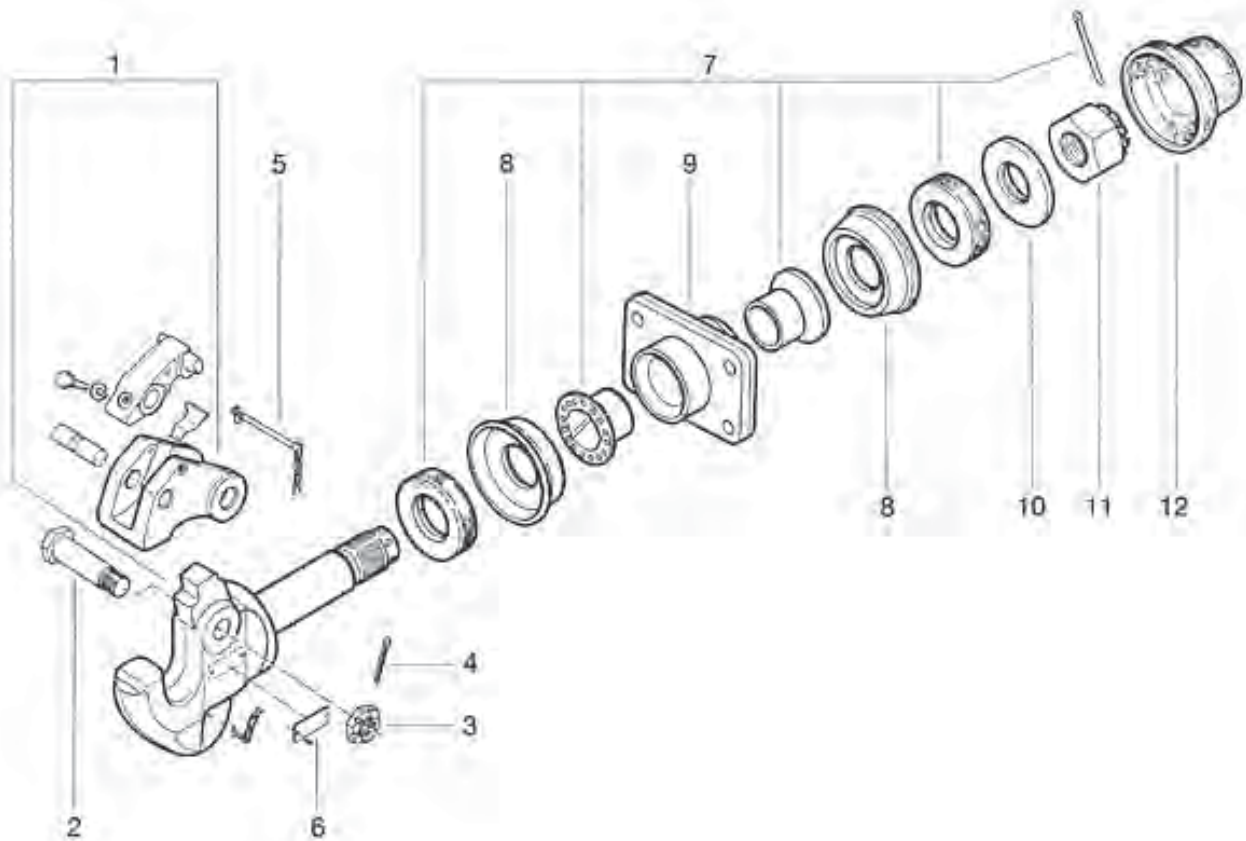
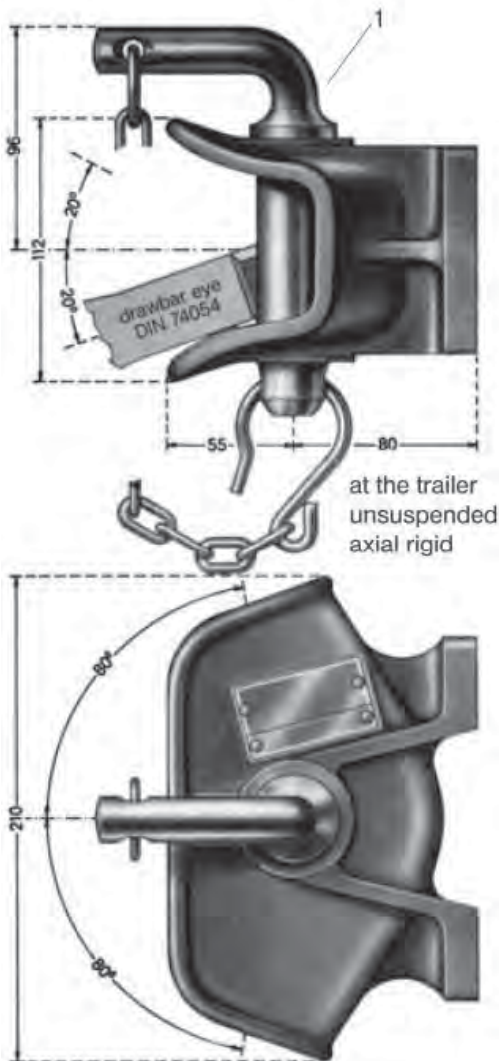
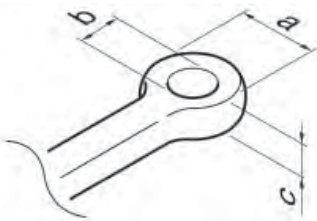


Fig.	Description	Remark	Part No.	Quantity
1	Locking unit	for A 35, A 45	R 66393	1
1		for A 50	R 66324	1
1		for A 509	R 70932	1
2	Bolt	for A 35, A 45	R 52036	1
2		for A 50, A 509	R 52037	1
3	Castle nut		R 56030	1
4	Split pin		R 35024	1
5	Safety pin	for A 35, A 45	R 65036	1
5		for A 50	R 65104	1
5		for A 509	R 70285	1
6	Type plate	on request		
7	Repair set springs	for A 35	R 70343	1
7		for A 50	R 70344	1
8	Spring cap	for A 35	R 44080	2
8		for A 50	R 44079	2
9	Attachment bearing	for A 35, with bushes	R 43242	1
9		for A 45, with bushes	R 43235	1
9		for A 50 with bushes	R 43236	1
10	Washer	for A 35	R 54707	1
10		for A 50	R 54680	1
11	Castle nut	for A 35	R 56051	1
11		for A 45, A 50, A 509	R 56049	1
12		for A 35	R 25076	1
12	Nut cover	for A 45, A 50, A 509	R 25072	1



Technical data:

- Non-automatic trailer coupling with flange bearing hole pattern: 120mm x 55mm

Technical data			
Part no.	D ¹ (kN)	S ² (t)	ABG M
369U130	60,4	0,65	3455

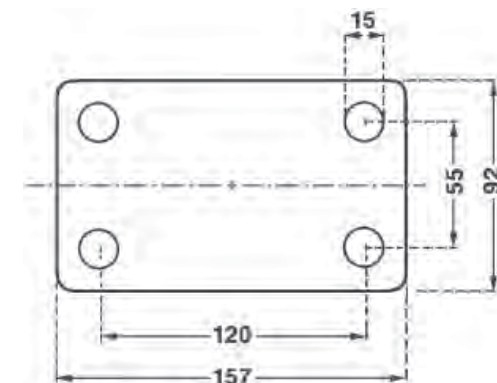
¹ D-value

² Statical vertical load

- Usable on agricultural trailers only (R) (p.e. R¹ = 16 t; R² = 10 t)
- Admissible total weight of a vehicle combination of 40 t

Usable drawbar eyes					
DIN	nominal dimensions			turn-angle (see fig.)	
	a (mm)	b (mm)	c (mm)	horizontal	vertical
74054	100	40	30,5	min. 80°	min. 20°

Dimensions of the coupling



Spare parts for series RO*805B			
no.	Designation	Piece	Part no.
1	Insert pin	1	R 70323
	Type plate		Upon request

Buyers Products Company

Rigid mounted pintle hooks



BPC BH 850MM (8 Ton)

Capacity

3,000 lbs. maximum vertical load
16,000 lbs. M.G.T.W.

Description

Drop forged combination pintle hook/ball hitch. Forged steel ball. Interchangeable hitch balls. Finished with black powder coat for durability and corrosion resistance.

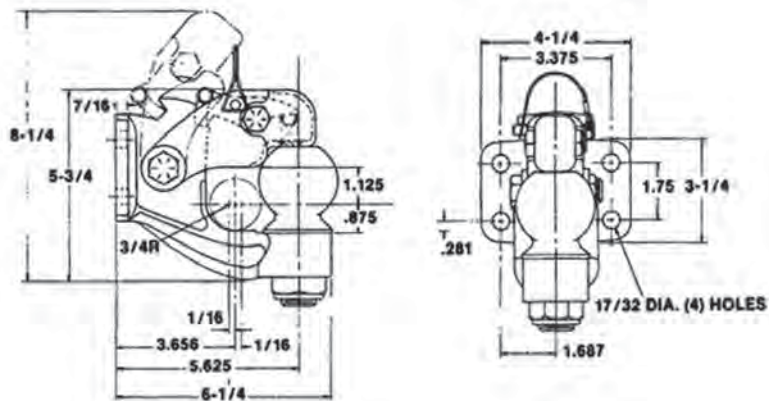
Drawbar Eye Dimensions

2-1/2" to 3" up to 1-9/16 cross section.

Hitches are shipped with drilling template, capacity decal, and are individually boxed.

Weight 13lbs

CRN 37265



BPC P 45 AC4 & BPC P AC4BK (45 Ton)

BPC P 45 AC6 & BPC P AC6BK (45 Ton)

Buyers Pintle Hooks feature a "double-safe" locking system with a lock/clasp/impact arm interacting design that combine to prevent release of the eye when air pressure is applied. The Air Compensated Pintle Hooks must be used with a brake chamber.

The air brake chamber is constructed to interact with the closed clasp to prevent uncoupling when air is applied.

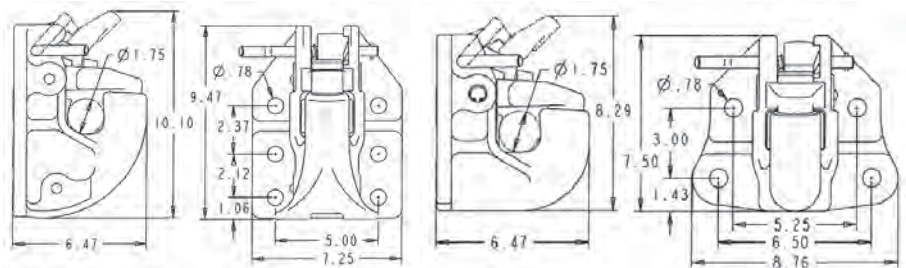
P45AC4 is to be used with a lunette eye having an internal diameter between 2-3/8" and 3", and a material cross section between 1-1/4" and 1-3/4" in diameter.

P45AC6 is to be used with a lunette eye having an internal diameter between 2-3/8" and 2-5/8", and a material cross section between 1-5/8" and 1-3/4" in diameter.

Weight: BPC P 45 AC4 26lbs

CRN 37266

Weight: BPC P 45 AC4BK 3.2lbs



8/08

Buyers Products Company

Rigid mounted pintle hooks



BPC PH 5 WMK (5 Ton)

Capacity

2,000 lbs. maximum vertical load
10,000 lbs. M.G.T.W.

Description

Light-duty rigid type pintle hook. Finished with black powder coat for durability and corrosion resistance.

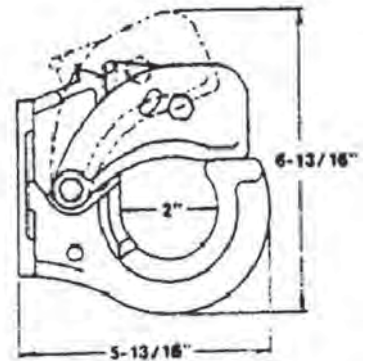
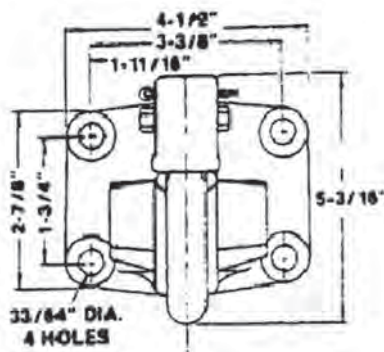
Drawbar Eye Dimensions

2" to 3" I.D. with 1-1/4"-1-5/8" diameter section.

Hitches are shipped individually boxed and include mounting information, spec. sheet and drilling template.

Weight 8.25lbs

CRN 37269



BPC PH 8 WMK (8 Ton)

Capacity

3,200 lbs. maximum vertical load
16,000 lbs. M.G.T.W.

Description

Drop Forged Alloy Steel Rigid Type Pintle Hook. Finished with black powder coat for durability and corrosion resistance.

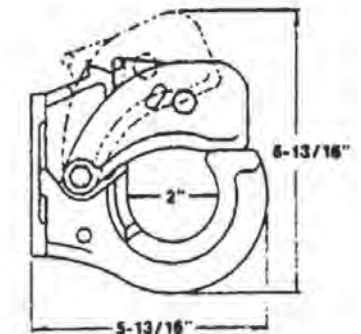
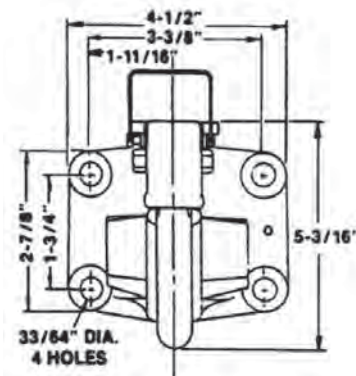
Drawbar Eye Dimensions

2" to 3" I.D. with 1-1/4"-1-5/8" diameter section.

Pintle Hooks are individually boxed and include mounting information, spec. sheet, drilling template, vehicle capacity decal.

Weight 9.57lbs

CRN 37270



Buyers Products Company Rigid mounted pintle hooks



BPC PH 15 WMK (15 Ton)

Capacity

6,000 lbs. maximum vertical load
30,000 lbs. M.G.T.W.

Description

Drop forged alloy steel rigid type pintle hook.
Finished with black powder coat for superior durability and corrosion resistance.

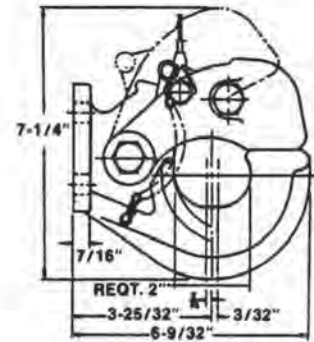
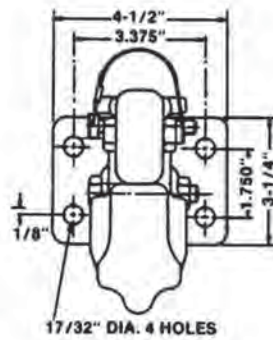
Drawbar Eye Dimensions

2" to 3" I.D. with 1-1/4" to 1-5/8" diameter section.

Pintle hooks are individually boxed and include mounting information sheet, spec. sheet, adhesive backed drilling template, and vehicle capacity decal.

Weight 11.75lbs

CRN 37267



BPC PH 20 WMK (20 Ton)

Capacity

8,000 lbs. maximum vertical load
40,000 lbs. M.G.T.W.

Description

Drop forged alloy steel rigid type pintle hook.
Finished with black powder coat for superior durability and corrosion resistance.

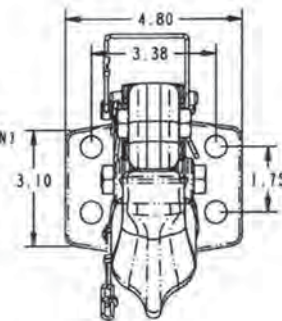
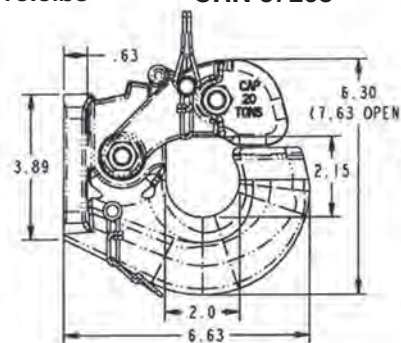
Drawbar Eye Dimensions

2" to 3" I.D. with 1-1/4" to 1-5/8" diameter section.

Pintle hooks are individually boxed and include mounting instructions, specifications sheet, adhesive backed drilling template, and vehicle capacity decal.

Weight 13.3lbs

CRN 37268



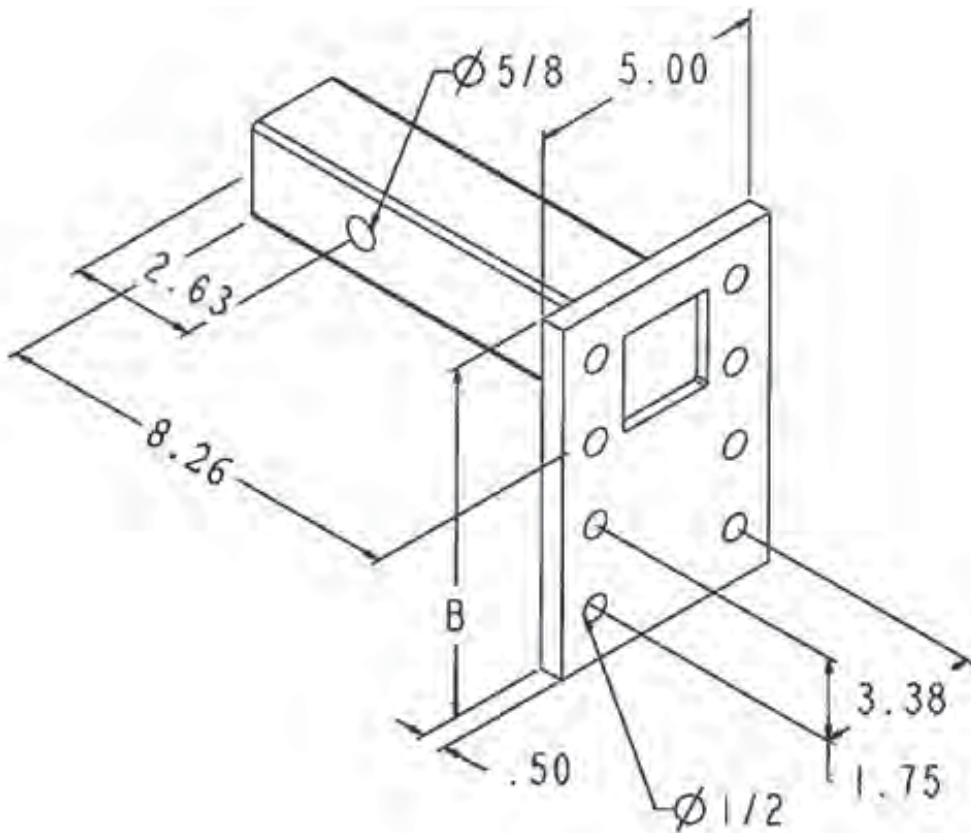
8/08

Part Number: BPC PH 87

Capacity:
 907kg: maximum vertical load
 4535kg :M.G.T.W.




Description:
 Pintle Hook 4 hole mount

Weight:
 6.8kg



Choice of the coupling

tractor bearing of the coupling

- 1.  flange bearing
- 2.1  lift bearing
- 2.2  insert pin bearing

- 1. **Hole pattern at rear tractor:**
coupling with flange bearing and corresponding hole pattern
- 2. **Coupling holder of tractor**
 - 2.1 Coupling with lift bearing
 - 2.2 Coupling with insert pin bearing

Calculation

- 1. total vehicle combination weight
- 2. towed load
- 3. D-value

Admissible total vehicle combination weight:
currently 40t.

In absence of D-value specification:

Admissible total vehicle combination weight (currently 40t) minus admissible total weight of tractor

D

D-value (not for all couplings)

Theoretical horizontal force between towing vehicle and trailer; comparative mathematical value of forces between moving masses.

The D-value can only be calculated with the permissible total weight of **both truck and trailer**.

Calculation of the D-value (kN):

$$D = g \cdot \frac{T \cdot R}{T + R}$$

T: total weight of the towing vehicle in t

R: total weight of the turnable trailer in t

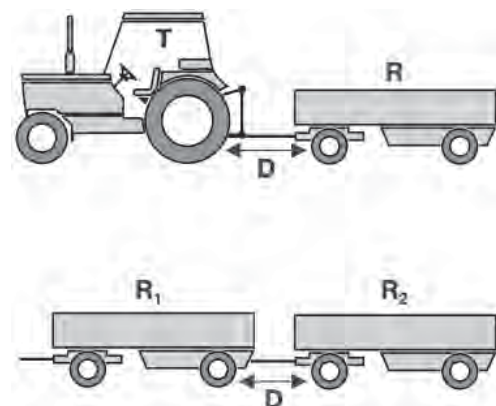
g: gravitation acceleration (9,81 m/s²)

The calculated D-value can be **equal to or lower than** the D-value
In case mounting on a trailer permitted:

$$D = g \cdot \frac{R_1 \cdot R_2}{R_1 + R_2}$$

R₁: total weight of trailer where the coupling is mounted (in t)

$$R_1 \geq R_2$$



- 3. Static verticle load

S

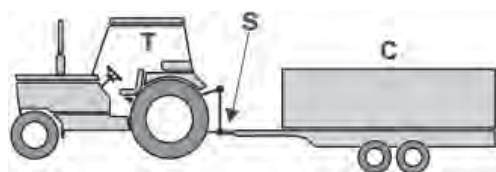
Static verticle load

- vertical load of the central-axle trailer on the coupling point
- The vertical load depends on the size of the coupling and the maximum is 10% of the gross weight of the trailer or 1000kg (whichever is less).
- When using a central-axle trailer the vertical load should amount to at 4% of the trailer weight in order to increased wear caused by bouncing of the drawbar eye.
- Size of static vertical load is also a function of speed.

Central-axle trailer (C):

Use admissible in principle:

- size of central-axle trailer depends on characteristics of drawbar eye and tractor unit
- please see table for restrictions



Drawbar eye

Page 201 of this manual contains indications concerning the dealing with the load values of coupling and drawbar eye.

Couplings and drawbar eyes for the road traffic which have been verified according to european standard specification 94/20 have special fixed identifying sizes, the **Dc-value** and the **V-value**, for the operation with the central-axle trailer.

These values are not of importance in the agriculture and forestry.

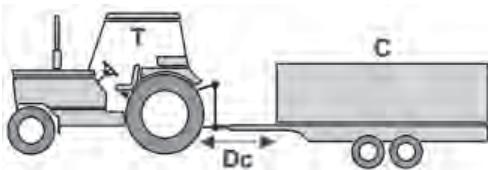
Since the Dc-value and the V-value are indicated with some of the following mentioned drawbar eyes, these sizes are briefly explained.

Towing vehicle and central-axle trailer

Dc-value

(valid only in connection with the V-value)

Dc



- theoretical horizontal force between towing vehicle and trailer.
- The Dc-value can only be calculated with the permissible total weight of **both** towing vehicle **and** central-axle trailer.
- Calculation of the Dc-value (kN):

$$Dc \text{ (kN)} = g \cdot \frac{T \cdot C}{T + C}$$

T: total weight of the towing vehicle in t

C: sum of the axle loads of the central-axle trailer.

g: gravitation acceleration 9,81 m/s²

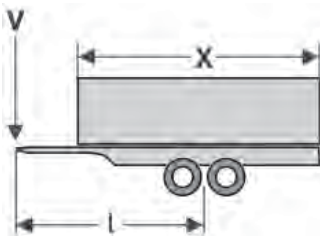
The calculated Dc-value can be **equal to or lower than** the Dc-value of the drawbar eye.

Central-axle trailer:

V-value

(valid only in connection with the Dc-value)

V



- vertical force for central-axle trailer.
- dependent on the **rear axle suspension of the towing vehicle**
- Calculation of the V-value (kN):

$$V \text{ (kN)} = a \cdot \frac{x^2}{l^2} \cdot C$$

a: an equivalent vertical acceleration in the coupling point in m/s²

a = 1,8 for vehicles with air suspension

a = 2,4 for vehicles with other suspensions

l: theoretical drawbar length in meters

x: length of the loading area in meters

x^2 / l^2 : atleast 1,0

C: sum of the axle loads of the central-axle trailer in t

The calculated V-value can be **equal to or lower than** the V-value of the drawbar eye.

JO ST



**Hubodometer
and
Hub Caps**

JO ST HUBODOMETER

is a precision instrument for all kinds of wheeled

vehicles, e.g.

semi-trailers

trailers

low-bed trailers

buses

trains

and other equipment.

JO ST HUBODOMETER

will record information for

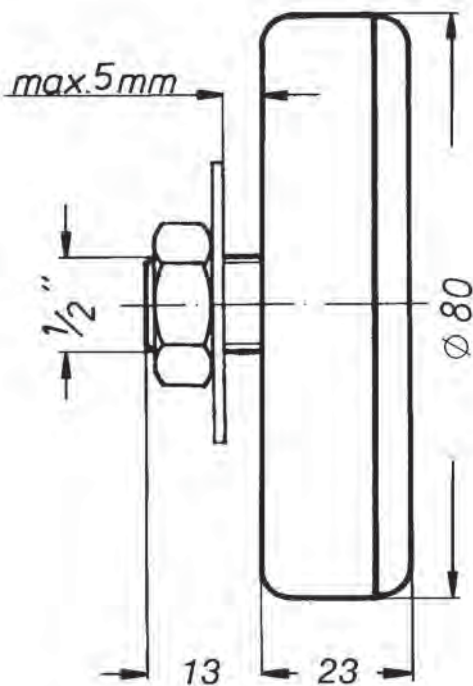
maintenance schedules

wear and tear controls

mileage of leasing vehicles

exact data for calculation of transport costs

validating guarantees



Smallest dimension

overall depth only 23 mm

Mounting

directly to the wheel cap or shockproof mounting
in a special wheel cap

Recording mechanism

Completely and permanently sealed.
Filled with inert gas against
fogging and ingress of moisture or dirt.
Records forward and reverse motion.
Completely tamperproof.
Records up to one million miles.
Records in kilometres or miles.
All parts corrosion resistant.

weight: 0.24 kg

3 Year or 500,000kms warranty, whichever
comes first.

When ordering please state:

1. exact tyre size resp. circumference
2. calibration for kilometres or miles.

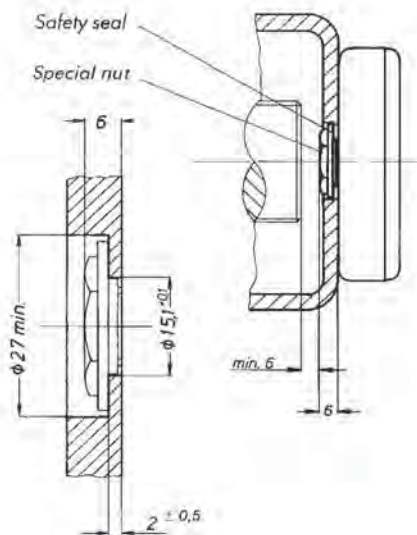
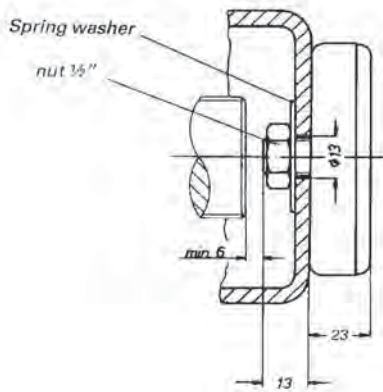
The right to alter specifications is reserved

8/08

When mounting the hubodometer to your existing hub-cap proceed as follows:

Check whether there is enough clearance to the end of the axle, at least 6 mm clearance is required after mounting. The contact surface of the hub-cap must be flat, if necessary by machining. Drill the concentric 13 mm mounting hole. Install the hubodometer with the spring washer and nut supplied.

Torque the nut to 15Nm (1,5mkp) maximum, just sufficient to flatten the spring washer.



Hubodometer - short version

Where fitting has to take place in a restricted space this type of Hubodometer is used. It has a shortened clamping bolt. Fitting is effected using a special plain nut and a combined sealing/retaining ring. Tightening torque max. 15 Nm (1,5 mkp).

Fixing and centring in the axle cap requires a concentric hole of 15,1 mm diameter. With axle caps of more than 2 mm wall thickness the nut should be counterbored.

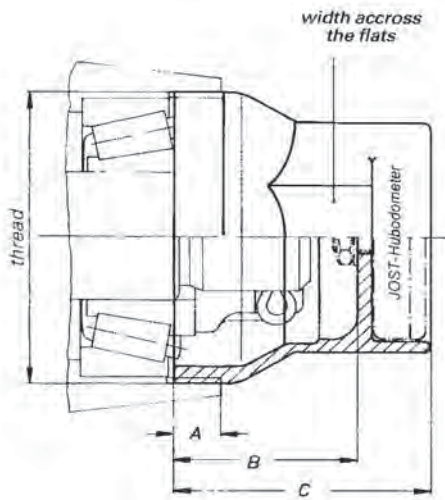
Important

The Hubodometer must be fitted concentrically. Oscillations due to running out of true will impair life and accuracy. Check that the permissible vehicle width is not exceeded when the Hubodometer is fitted. No chemical agents should be used when cleaning the Hubodometer.

CIRCUMFERENCE	TYRE SIZE	JOST PART NUMBER
1605 mm	6.00-9 155.70-12 160.65-315	
1935-1985 mm	175.00-14 185.00-14	
2105-2055 mm	7.00-12 185.00-15 195.00-14	
2225 mm	6.00-16 7.00-15 205.00-16 215.75-16 205.80-15	
2310 mm	225.75-16 7.50-15 205.75-17.5	J 7.50/15
2350 mm	215.75-17.5 7.00-16	J 2350
2425 mm	245.70-17.5 235.70-17.5	
2464-2520 mm	8.25-15 7.50-16 9.00-15 235.75-17.5	J 8/25/15
2560 mm	9.50-17.5 245.70-19.5	J 9.50/17.5
2620-2650 mm	6.50-20 8.25-16 10.00-17.5 265.70-19.5	J 6/50/20
2712-2750 mm	10.00-15 7.00-20 9.00-16 285.70-19.5 275.80-18 215.75-22.5	J 10/00/15
2780 mm	9.50-19.5 305.70-19.5 285.60-22.5 445.45-19.5	
2830-2860 mm	7.50-20 255.70-22.5	J 7/50/20
2915 mm	275.70-22.5 11.70-22.5	J 275.7/22.5
2960 mm	8.25-20 425.55-19.5	
3015-3134 mm	9.00-20 10.00-2.5 315.70-22.5 295.70-22.5 275.80-22.5 335.80-20	J 9/00/20
3175-3220 mm	10.00-20 11.00-22.5 14.80-22.5 295.80-22.5 315.75-22.5 375.70-20 405.70-20	J 10/00/20
3240-3260 mm	385.65-22.5 15.00-22.5 18.00-19.5	J 15/00/22.5
3280-3310 mm	11.00-20 14.80-20 365.80-20 12.00-22.5 315.80-22.5 365.70-22.5 365.80-22.5	J 11/00/20
3410-3470 mm	12.00-20 13.00-22.5 16.50-22.5 18.00-22.5 425.65-22.5	J 12/00/20
3505 mm	445.65-22.5	J 445.65/22.5
3560-3570 mm	12.00-22 13.00-20	J 12/00/22
3730 mm	12.00-24	J 12/00/24
4090 mm	14.00-24	J 14/00/24

Special aluminium JOST axle caps

protect the Hubodometer from external damage. They are provided with a concentric bore for securing the Hubodometer, fitting is quick and easy. Threaded axle caps must be re-tightened after the first 500 km (300 miles).

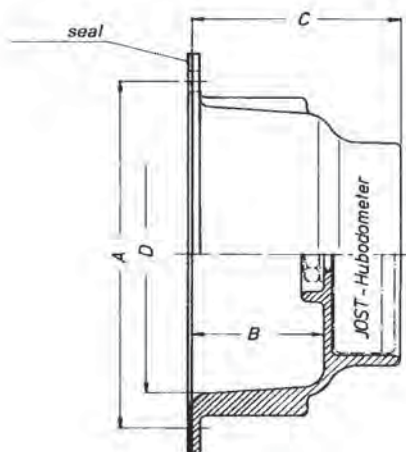


Special axle caps

with self-locking thread. Fitting is carried out using standard axle cap spanner.

A mm	B mm	C mm	width across the flats	Axle cap thread	Axle manufacturer	Part No.
17,5	68	98	94	M 115 x 2	BPW	JHU 202
17,5	68	98	109	M 125 x 2	BPW	JHU 203

Other dimensions upon request

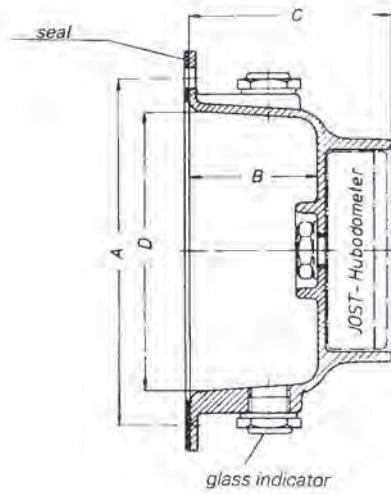


Special axle caps for flange mounting

A Bolt hole dia.	B mm	C mm	D mm	Axle manufacturer	Part No.
139,7	56	86	112	SAUER/ROR	JHU 300

Other dimensions upon request

Items supplied: Axle Cap
Seal



Special axle caps

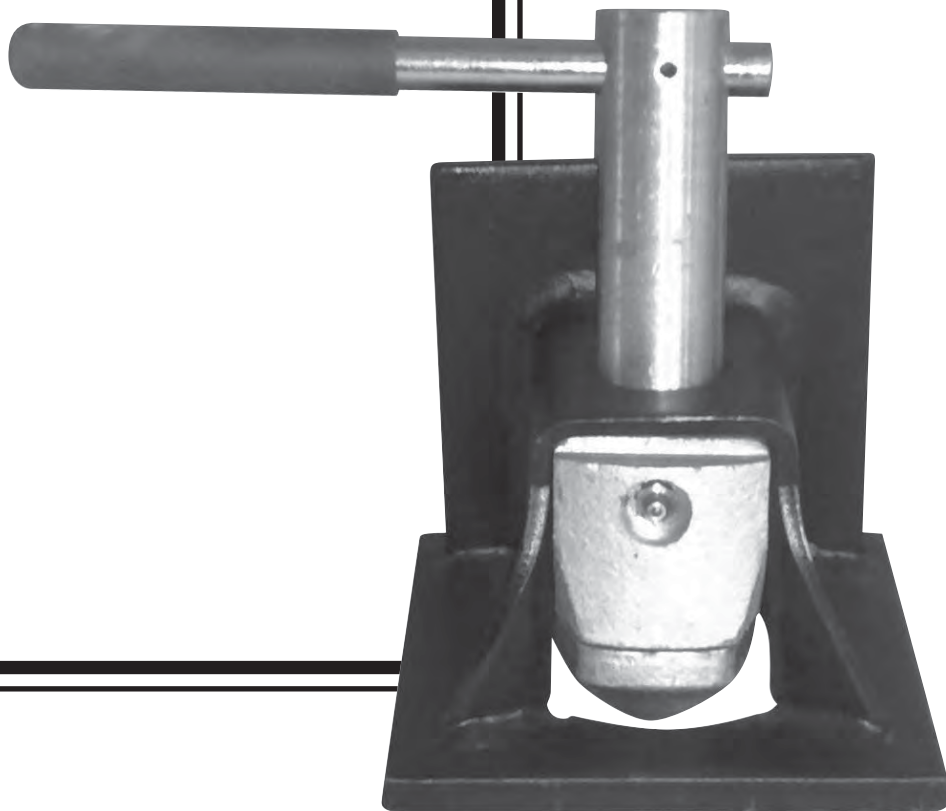
for oil filled axles with flange mounting. Two glass indicators are provided to check the oil level

A Bolt hole dia.	B mm	C mm	ØD mm	Axle manufacturer	Part No.
139,7	56	86	112	SAUER/ROR	JHU 300-1

Other dimensions on request

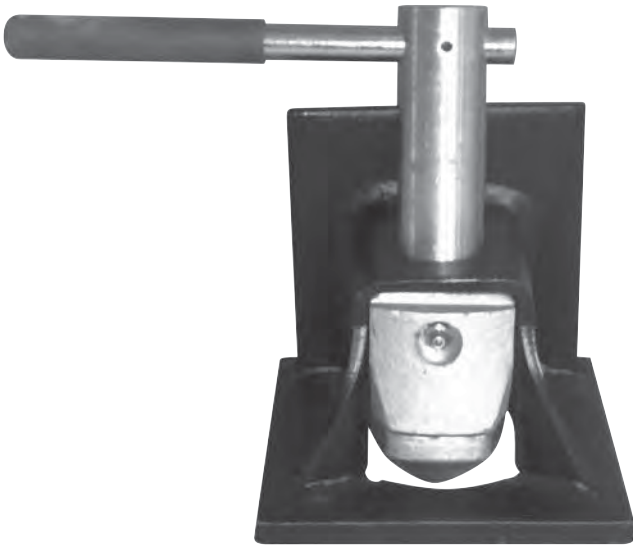
Scope of supply: Axle Cap
Seal
Glass indicators

JOST



Twist Locks

Twistlock in retracted position (fig.1)



Retractable Twistlock

Type: TLB-122-805-S
 Housing Only: TLB-122-805-H
 Mechanism Only: TLB-122-805-M
 Weight: 8.5kg

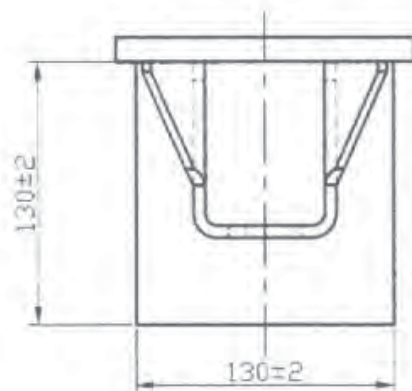
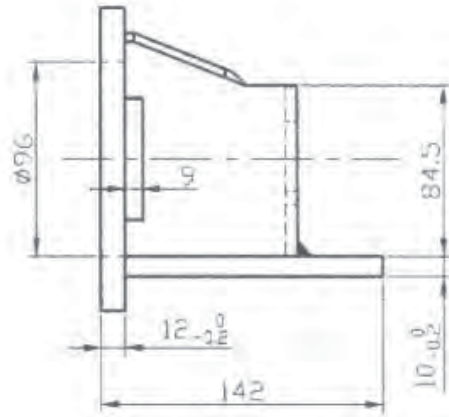
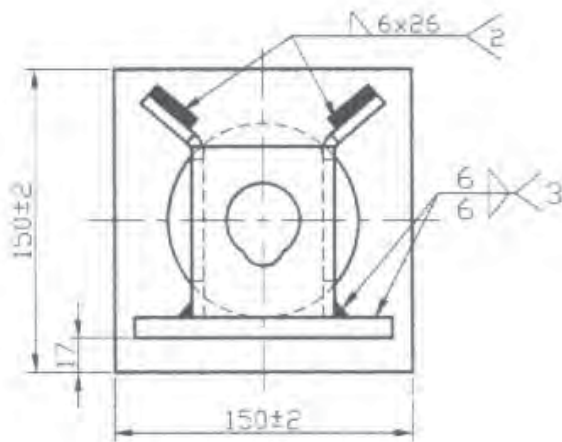
Cast steel & M.S. Plate

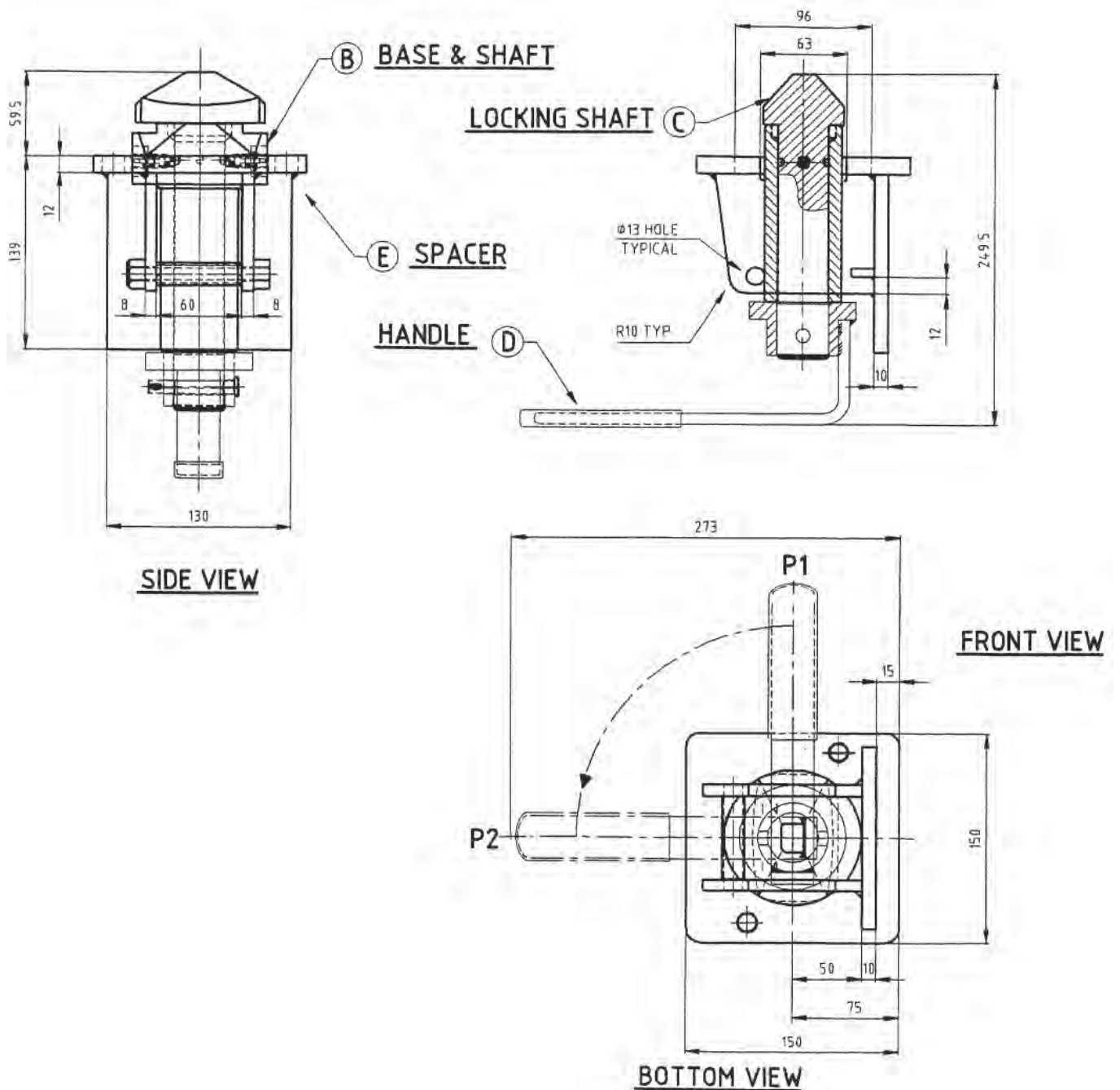
B.L. Tensile: 10T

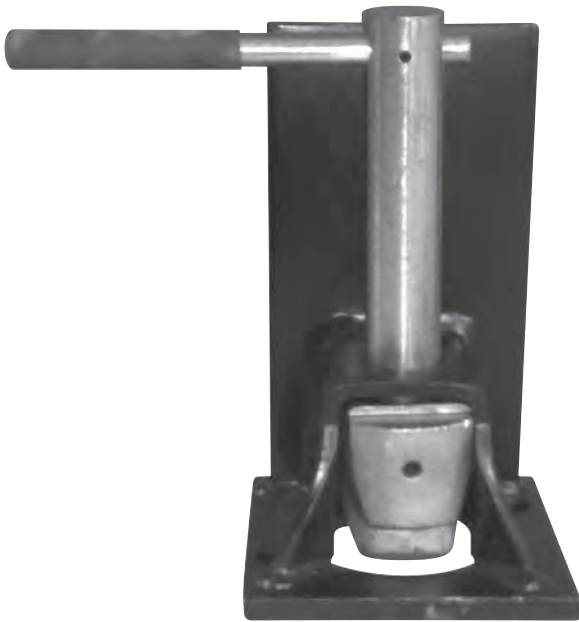
Operation
 Manual

Surface Preparation
 Painted

*Product modification can be made upon request







Retractable Twistlock & Spacer

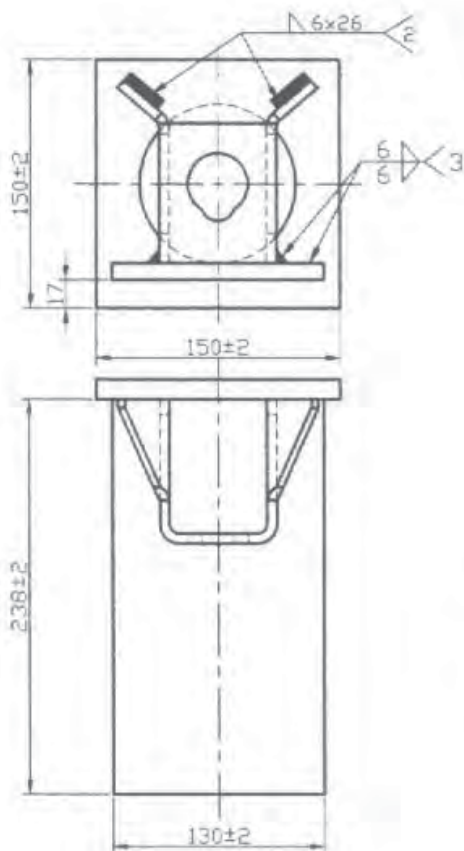
Type: TLB-122-0906
Spacer: TLB-122-09064
Housing Only: TLB-122-805LH
Mechanism Only: TLB-122-09062
Twistlock Only (No Spacer): TLB-122-09061
Weight: SPR=5.8kg & TKTR-L=9.5kg

House-Cast Steel, Frame & Handle-M.S.
 Plate Shaft-Forged.
 B.L. Tensile: 10T

Operation
 Manual

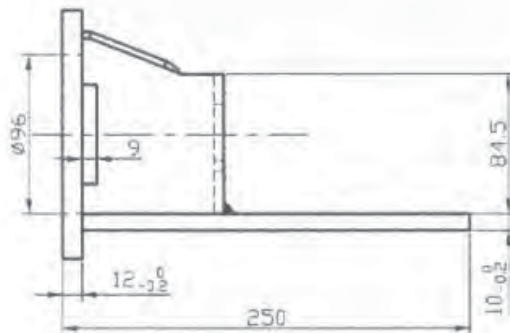
Surface Preparation
 Painted

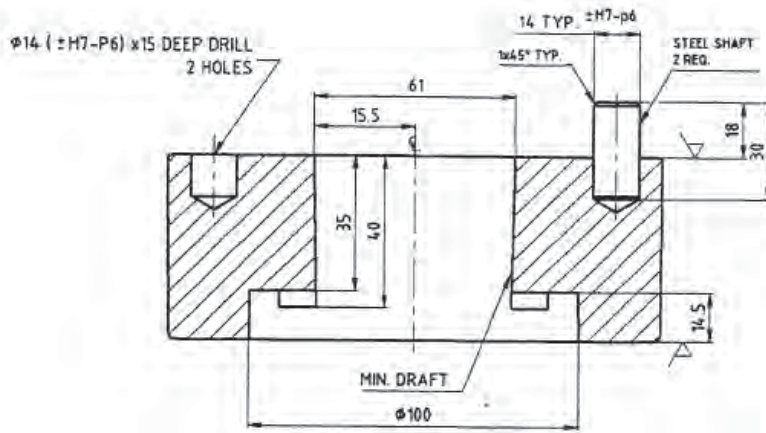
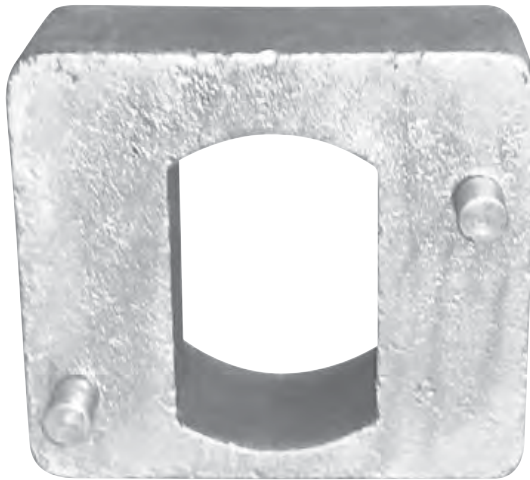
*Product modification can be made upon request



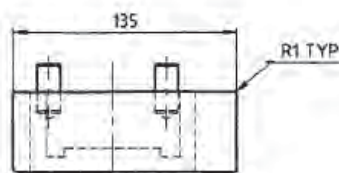
TLB-122-805-L:

Short mechanism with long casting

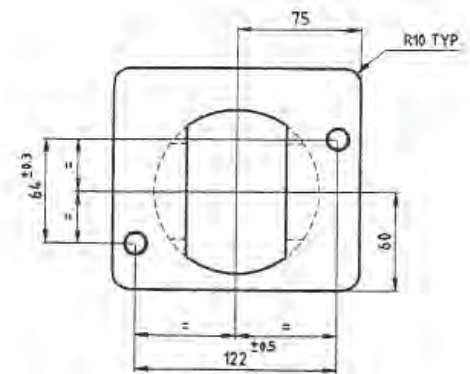




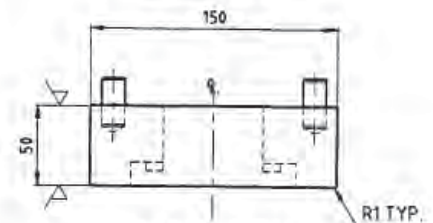
SECTION A-A



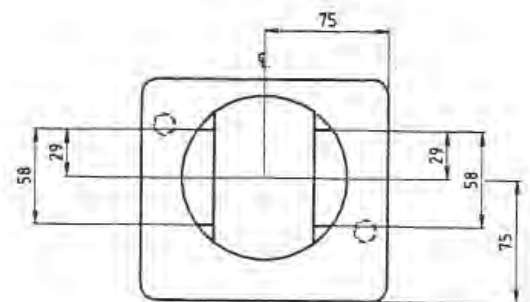
SIDE VIEW



TOP VIEW



ELEVATION



BOTTOM VIEW