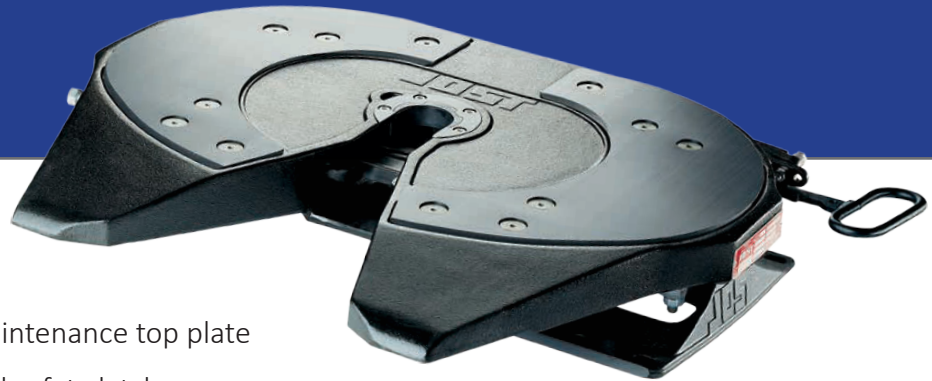
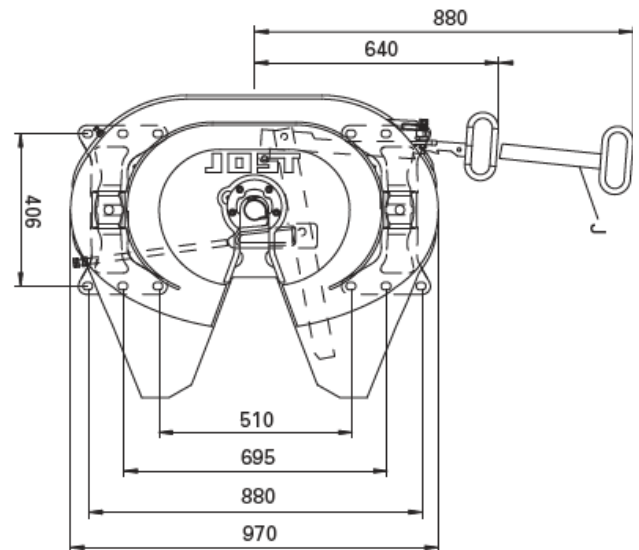
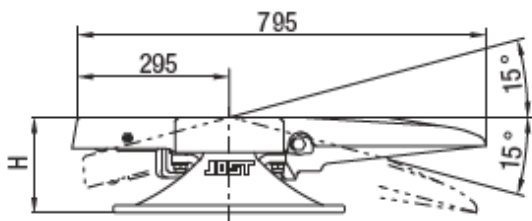


JSK37E/EW Fifth Wheel



- Pin type foot mounting
- Standard versions or eco-friendly low maintenance top plate
- Secondary locking mechanism with visual safety latch
- Various mounting heights available



Part No.	Part No. Low maintenance	H (mm)	D value (kN)	Imposed load U (t)	Weight (kg)
JSK37E 150	JSK37E W 150	150	152	20	135
JSK37E 170	JSK37E W 170	170	152	20	138
JSK37E 185	JSK37E W 185	185	152	20	140
JSK37E 205	JSK37E W 205	205	152	20	141
JSK37E 255	JSK37E W 255	255	152	20	146

Part number explanation:

- JSK37** = Range
E = Pin and bush pedestals
W = Low maintenance with plastic top plate liner

Spare parts

Approval E1 55R-01 0294

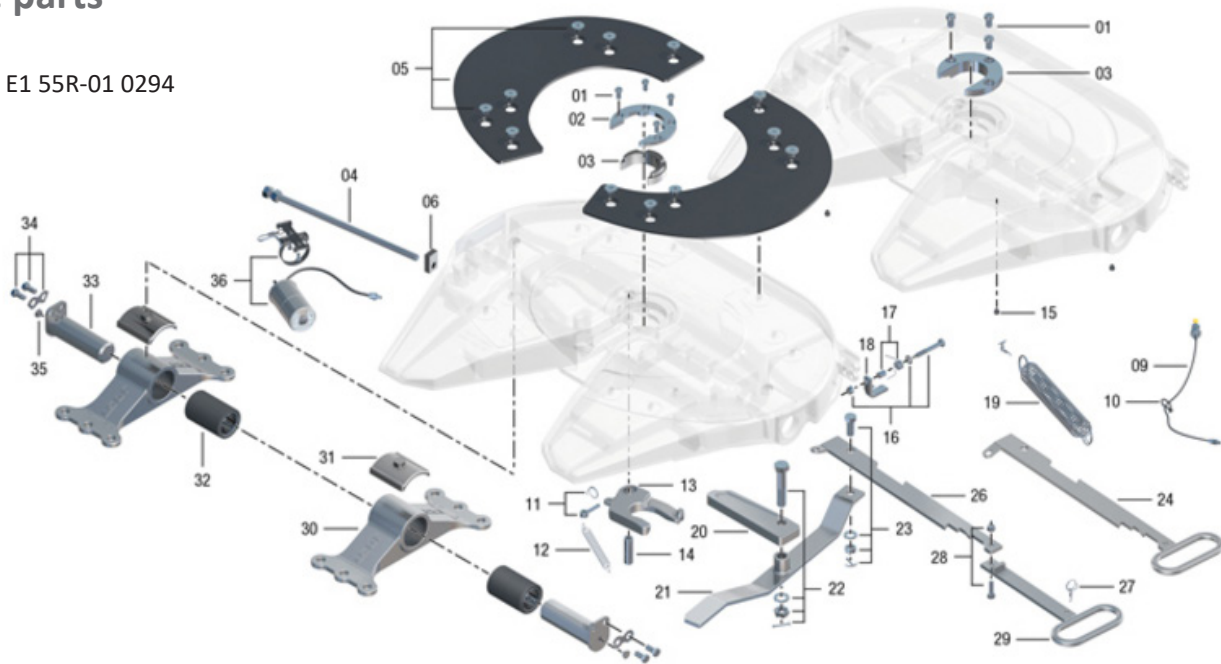


Fig	Description	Part No
01	Wear ring bolt - 3 bolt	SK2121-07
01	Wear ring bolt - 4 bolt	SK3121-55
02	Wear ring (4 bolt)	SK3105-93
03	Wear ring (3 Bolt)	SK2105-19
03	Wear ring insert	SK3105-92
04	Adjusting screw	SK3105-97
	Adjusting screw hex nut	SK2121-78
05	Low maintenance insert kit	SK3106-007
	Low maintenance insert bolt only	SKT001006000
06	Guide piece	SK3205-07
09	Greaseline complete	SK3108-02
11	Eye bolt	SK2122-04
12	Jaw spring	SK847
13	Lock jaw	SK1489Z
14	Jaw pivot	SK2106-67
16	Bolt for spring latch	SK3521-03
17	Spring for latch with spacer	SK3121-59
18	Latch only	SK3121-52
19	Double tension spring	SK3105-20
20	Locking bar	SK3205-06
21	Lever	SK3105-18
22	Locking bar bolt	SK3221-01
23	Lever bolt	SK1513

Fig	Description	Part number
24	Operating handle	SK3105-15
26	Internal operating handle	SK3105-115
27	Latch cord	SK3521-02
28	Extended handle bolt	SK2421-50
29	Handle extension	SK3105-113
30	Weld/Bolt on pedestals 150mm	SK2904-42X
	Weld/Bolt on pedestals 173mm	SK2904-41X
	Weld/Bolt on pedestals 185mm	SK2904-40X
30a	Fabricated pedestals 130mm	SK2920-130
	Fabricated pedestals 150mm	SK2920-150
	Fabricated pedestals 185mm	SK2920-185
	Fabricated pedestals 205mm	SK2920-205
	Fabricated pedestals 235mm	SK2920-235
	Fabricated pedestals 255mm	SK2920-255
31	Collar	SK3105-95
32	Polly bush	SK2905-20E
32a	Rubber bush	SK2905-95
33	Swivel pin	SK3104-05
34	Swivel pin bolt complete	SK3121-28
35	Plug	JS1101-012
36	LubeTonic grease cartridge	SKE003110310

Repair kits

Fig.	Repair Kit Description	Part No
12, 13, 14	Repair kit for locking device	SK3221-52Z
01, 03, 09, 12, 13, 14	Repair kit for locking device (3 bolt wearing ring)	SK3221-50Z
01, 03, 09, 12, 13, 14, 16	Repair kit for locking device (4 bolt wearing ring)	SK3121-060Z
01, 02, 03	Repair kit for wearing ring (4 bolt wearing ring)	SK3105-94
31, 32, 33, 34, 35	Repair kit for bearing	SK3121-061
16, 17, 18	Repair kit for secondary safety latch complete	SK3121-52KIT
05	Greaseless pad insert kit including bolts for JSK37EW	SK3106-007
JSK37E	Complete standard fifth wheel top for JSK37E	JSK37E-NP
JSK37EW	Complete low maintenance fifth wheel top for JSK37EW	JSK37EW-NP

Sensor coupling spare parts

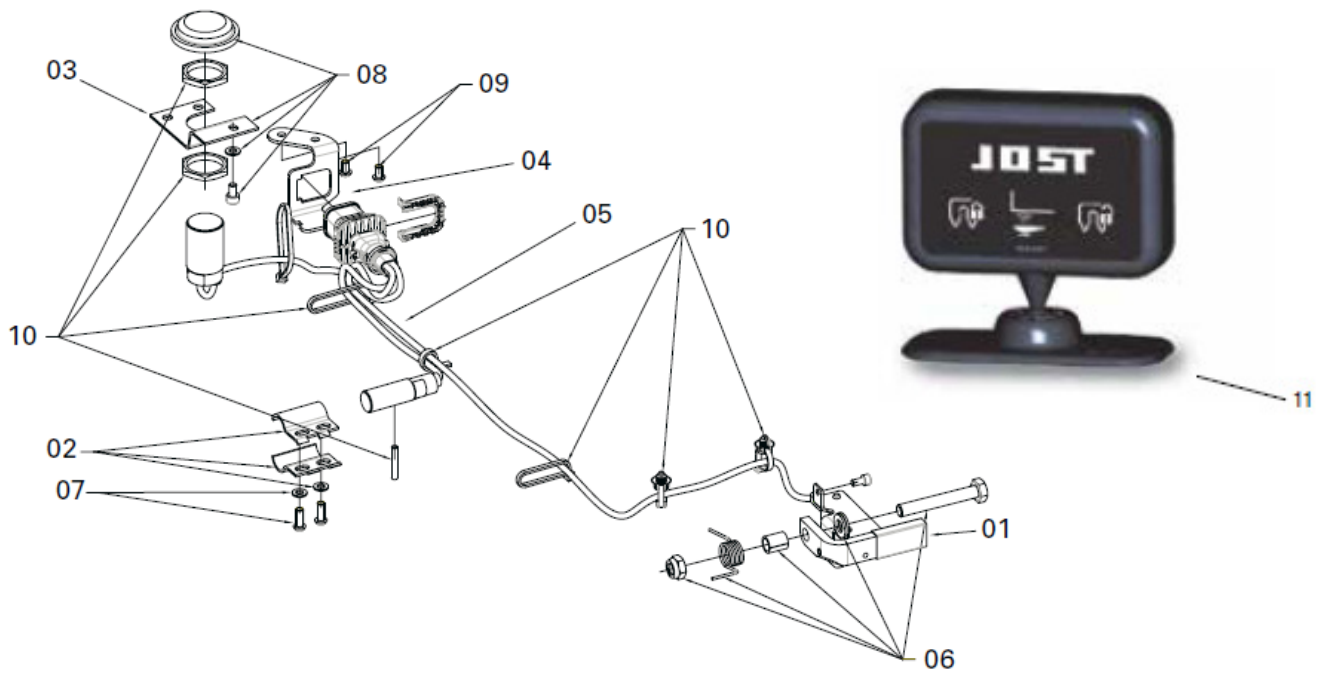


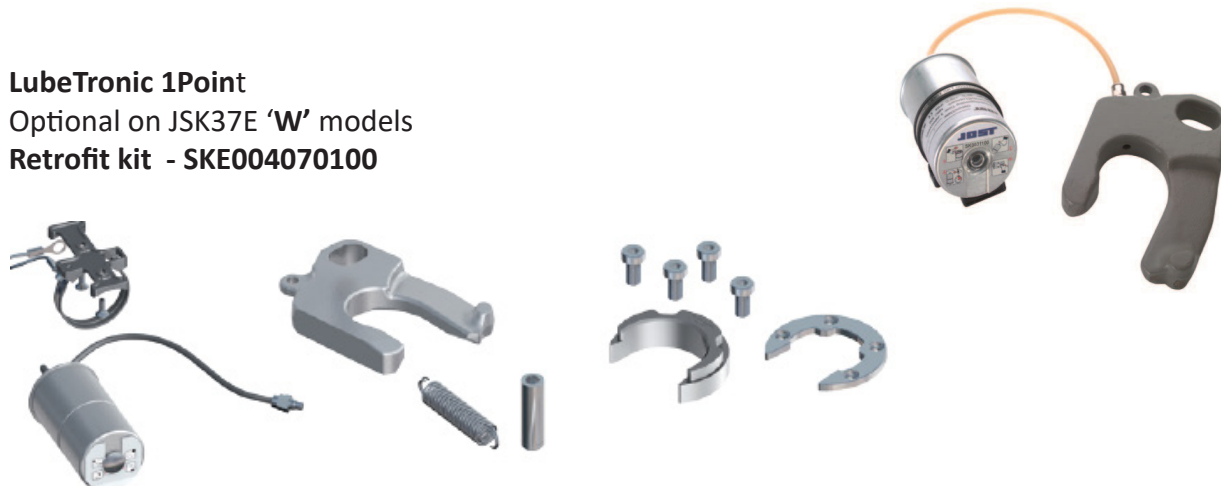
Fig	Description	Part No.	Remark
01	Latch with locking magnet	SKE002905104	with 06
02	Retaining plate for king pin sensor	SKE002905130	
03	Retaining plate for trailer sensor	SKE003220100	with 08
04	Retaining plate for pin housing JSK 37	SKE006160000	with 09
05	3-sensor cable harness with retaining plate for locking sensor	SKE006140101	with 06, 08, 09, 10
11	Sensor display with 3 sensors – 24 V	SKE006350110	
11	Sensor display with 3 sensors – 12 V	SKE501620200	
12	Connection cable, ADR quality (7-pole round plug)	SKE002110300	
13	Adapter cable (pole round plug vs pole angular plug)	SKE011300000	
14	Single trailer plate sensor for JSK 37 – Standard	SKE117962100	with 02, 03, 08
15	Single king pin sensor for JSK 37 – Standard	SKE117948000	
16	Single locking mechanism sensor for JSK 37	SKE009800001	

Standard fifth wheel couplings can not be retrofitted with sensors

LubeTronic 1Point

Optional on JSK37E 'W' models

Retrofit kit - SKE004070100



Original spare parts - better safe than sorry!



In the worst case scenario, all it takes is a non-functioning fifth wheel coupling locking mechanism, a bolt that is unable to stand up to sufficient pressure, or even just a defective screw to cause an accident. Always choose genuine JOST parts.

Dealers and workshops which sell or install non-genuine items are fully liable for the consequences of their failure. Offering non-original spare parts for connecting systems subject to type approval for sale may be subject to prosecution.

JOST original spare parts and repair kits are available from our distributor network and workshops throughout New Zealand. See our web site for details .



JOST New Zealand Ltd | www.jostnz.co.nz | Ph 0800 567 869 | sales@jostnz.co.nz

JOST ROCKINGER TRIDEC