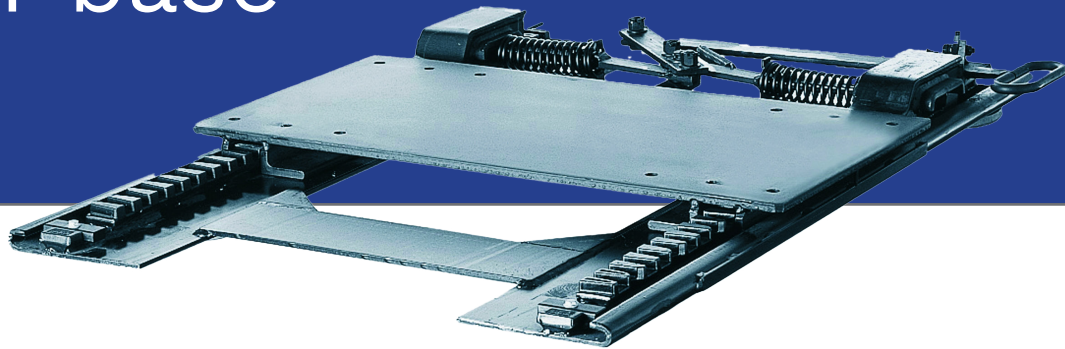
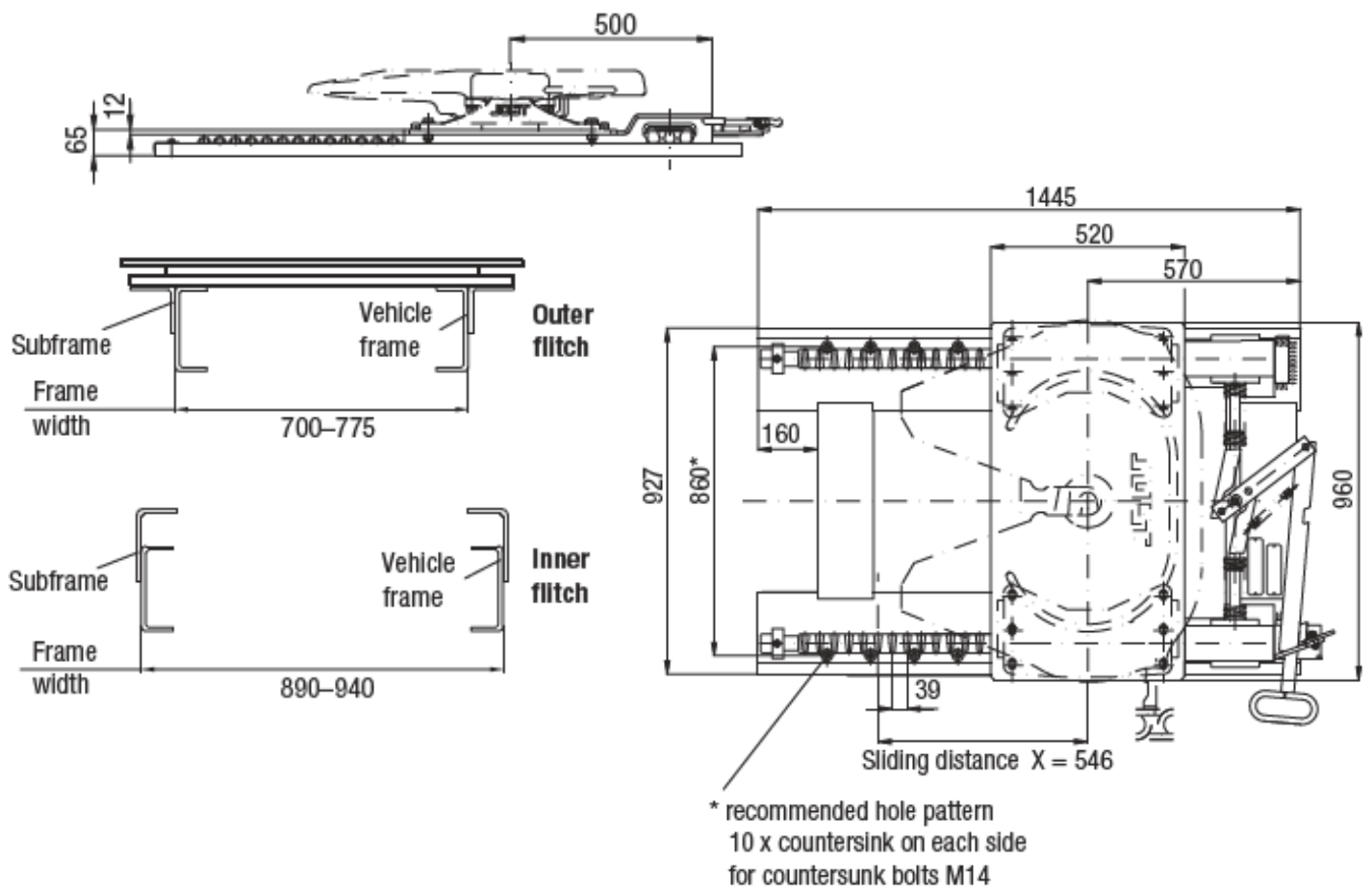


EVP Slider base



- Pneumatic operation
- D Value = 133kN
- Imposed load = 18t
- Weight = 186kg
- 546mm of travel
- Suits JOST fifth wheels with bolted pedestals
- Standard mounting holes for the fifth wheel coupling according to DIN standard 74081 and ISO 3842 are provided



EVP Spare parts

Approval E1 00-0413

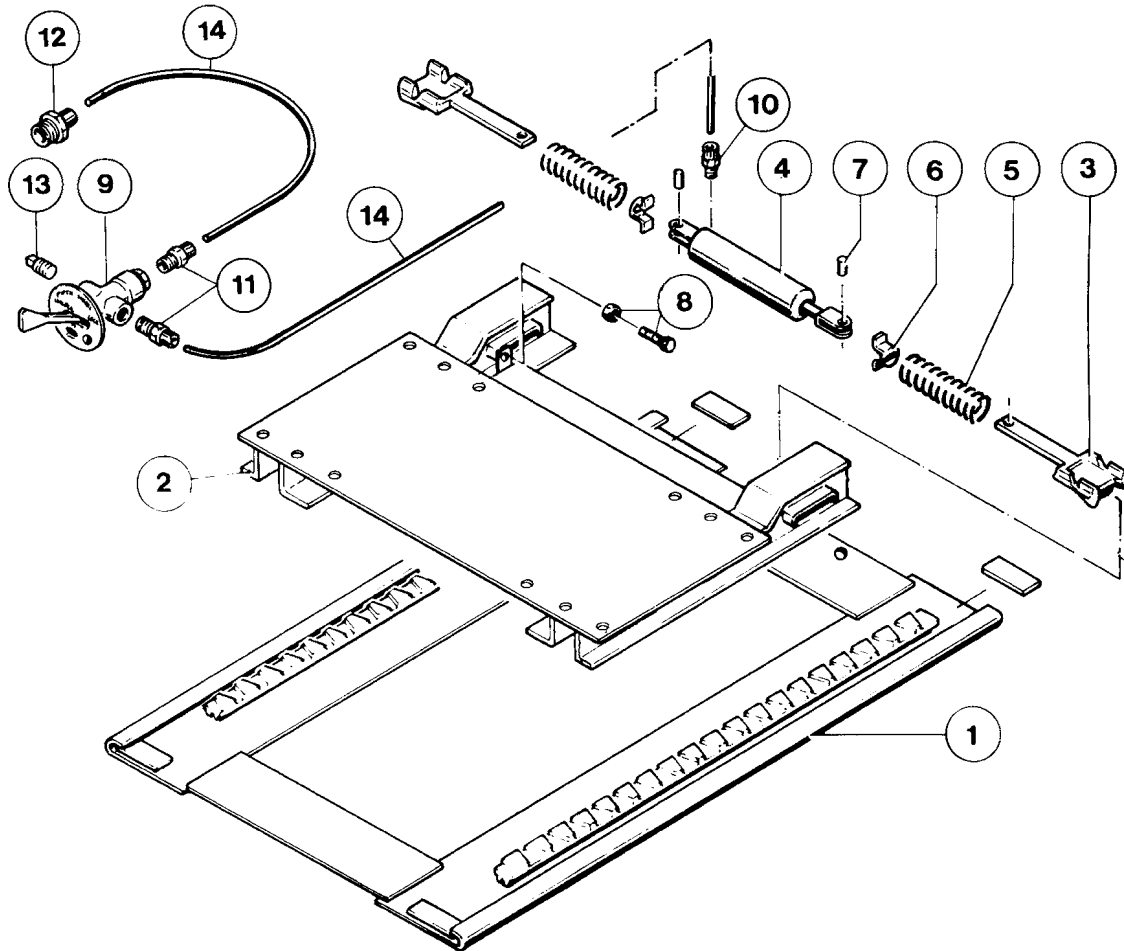


Fig	Description	Part No	Fig	Description	Part No
01	Slider base plate - not sold as a spare part		08	Hexagon screw	V 1021-06
02	Slider upper part - not sold as a spare part		09	Air control valve	V 1021-18
03	Locking plunger	V 1005-01	10	Fitting	V 1021-13
04	Air cylinder	V 1021-51	11	Fitting	V 1021-14
05	Spring	V 1005-03	12	Fitting	V 1021-15
06	Spring retainer	V 1005-04	13	Pipe plug	V 1021-17
07	Pin	V 1005-05	14	Nylon airline	V 1021-16

Air cylinder kit incl. fig 09,10,11,12,13,14 V1021-54