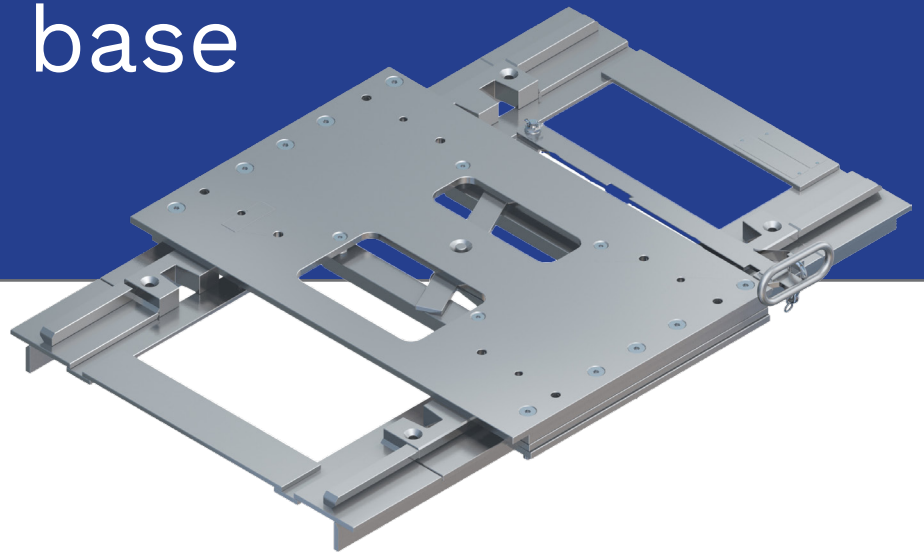
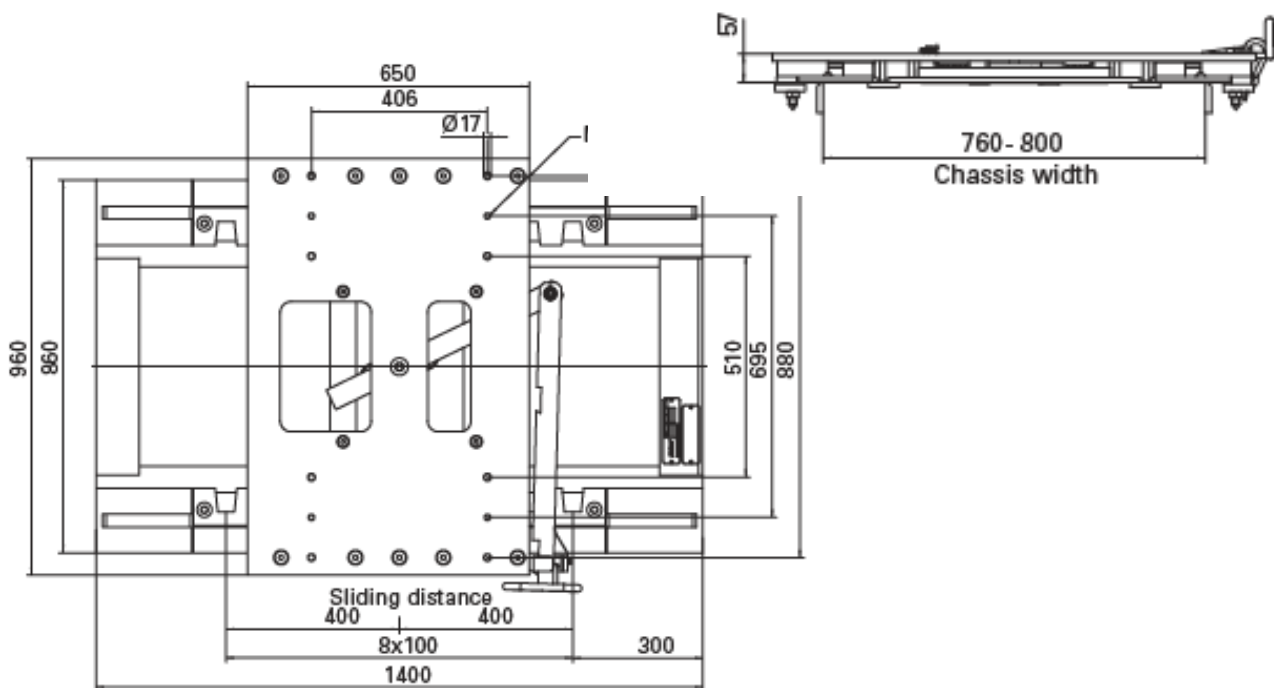


EVHD Slider base



- Heavy duty slider
- D Value = 260kN
- Imposed load = 36t
- Weight = 226 kg
- 800mm of travel
- Suits JOST fifth wheels with bolted pedestals
- Standard mounting holes for the fifth wheel coupling according to DIN standard 74081 and ISO 3842 are provided



Spare parts

Approval E1 55R-01-1266

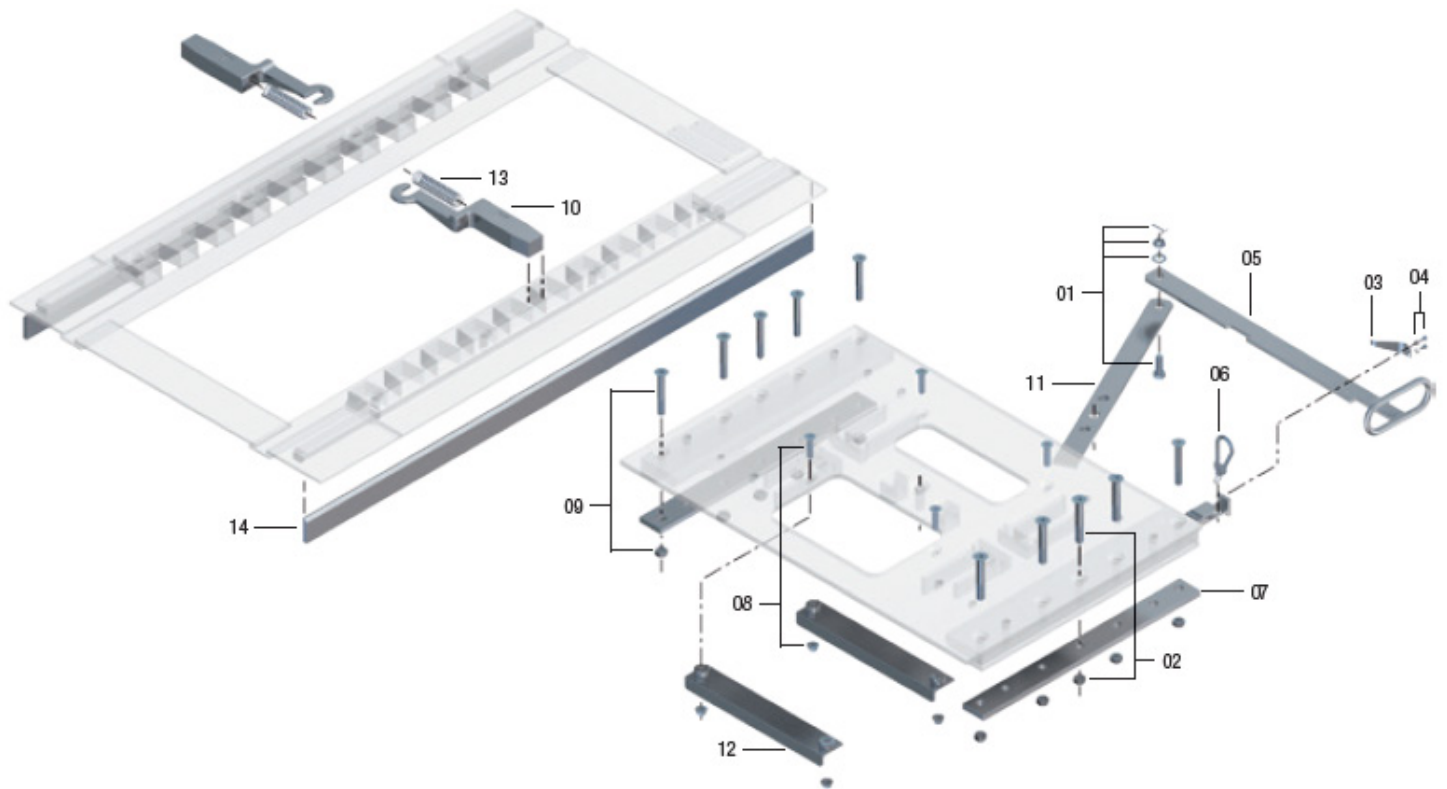


Fig	Description	Part No
01	Hexagon bolt	V 2021-09
02	Indicator	V 2021-01
03	Leaf spring	SK1859
04	Hexagon bolt	V 2021-04
05	Handle	SLE200527520
06	Spring hook with chain	SK1436
07	Bar	V 2005-52

Fig	Description	Part No
08	Bolt kit	NTE001970000
09	Countersunk bolt	V 2021-02
10	Bar	SLE200511120
11	Lever	V 2005-30
12	Lever guide	SLE200510720
13	Pressure spring	SLE200510000
14	Bar	V 2005=06

JOST New Zealand Ltd | www.jostnz.co.nz | Ph 0800 567 869 | sales@jostnz.co.nz

JOST ROCKINGER TRIDEC