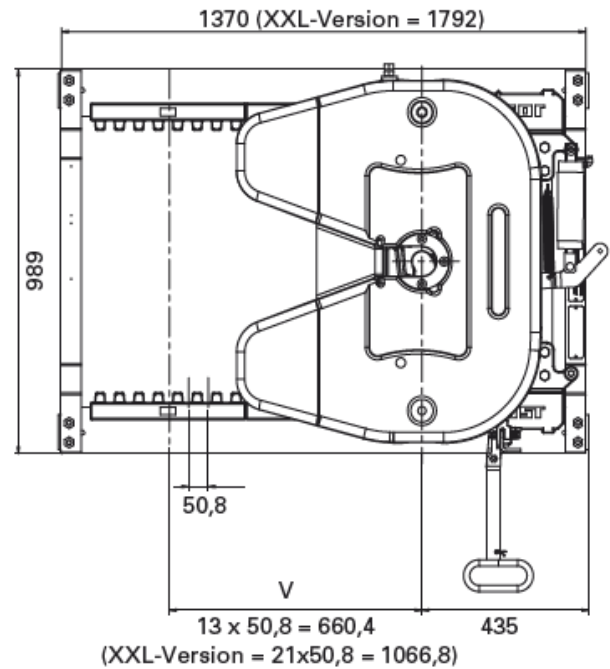
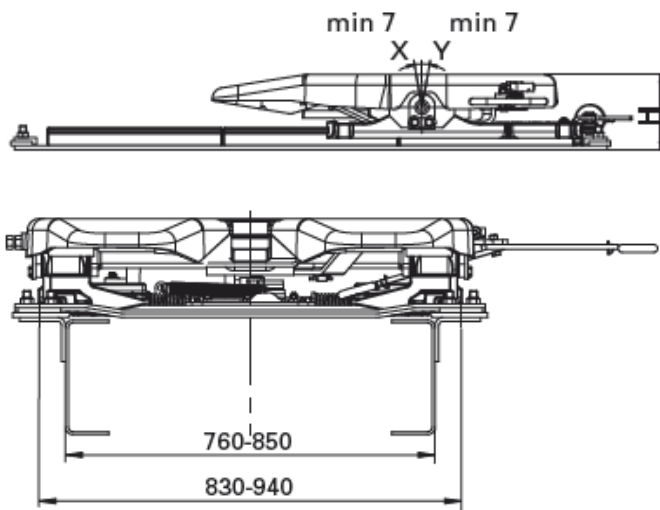


## SLE Slider



- Choice of mechanical one-handed operation or pneumatic remote control
- Cathodic electrophoretic painting for optimum anti-corrosion
- Available in various mounting heights
- Self-locking mechanism, protected against accidental opening
- Greater degree of travel with smaller external dimensions



Part No.	H (mm)	D value (kN)	Remark	Imposed load U (t)	Weight (kg) approx.
JSKSL E0 32 20 AA	173	152	Pneumatic	20	239
JSKSL E0 32 21 AA	173	152	Pneumatic/ Low maintenance	20	239
JSKSL E0 45 20 AA	203	152	Pneumatic	20	242
JSKSL E0 45 21 AA	203	152	Pneumatic/Low maintenance	20	242
JSKSL E0 54 20 AA	220	152	Pneumatic	20	245
JSKSL E0 54 21 AA	220	152	Pneumatic/Low maintenance	20	245
JSKSL E0 73 20 AA	263	152	Pneumatic	20	248
JSKSL E0 73 21 AA	263	152	Pneumatic/Low maintenance	20	248

Other hole pattern variants available on request (DAF, MAN, Volvo, IVECO, Scania)

# Spare parts

Approval E1 00-1151

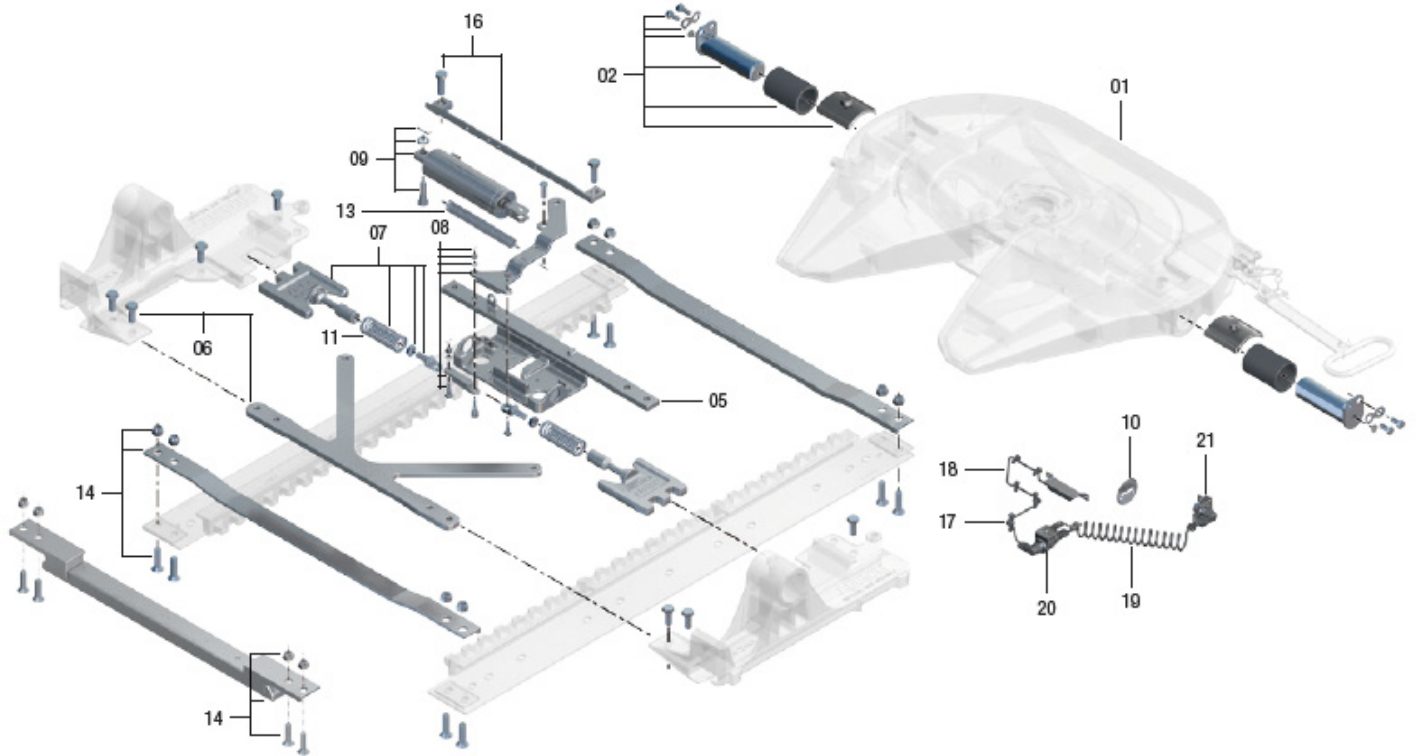


Fig	Description	Part No
01	Fifth wheel coupling - refer JSK37E parts list	
02	Bearing	SK 3121-061
05	Bearing kit	SLE202210020
06	Bracing kit	SLE202120020
07	Stopper Kit with 11	SLE202520020
08	Lever kit	SLE202300020

Fig	Description	Part No
09	Cylinder kit	SLE202410020
10	Pneumatics kit	V1021-54
11	Pressure spring	SLE201330020
13	Double tension spring	SLE202610000
14	Traverse kit	SLE201380020
16	Bridge kit pneumatic	SLE203300020

JOST New Zealand Ltd | [www.jostnz.co.nz](http://www.jostnz.co.nz) | Ph 0800 567 869 | [sales@jostnz.co.nz](mailto:sales@jostnz.co.nz)

**JOST ROCKINGER TRIDEC**