

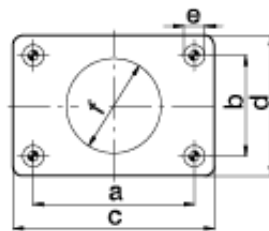
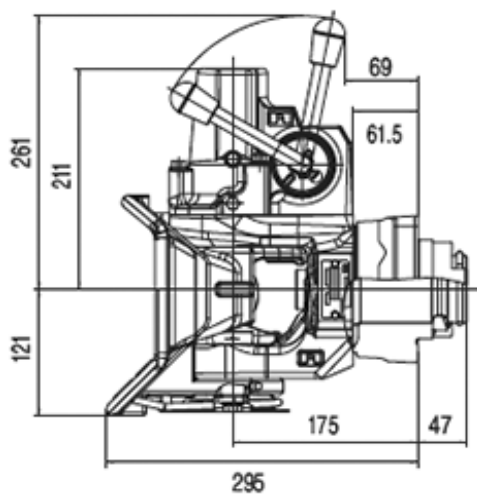
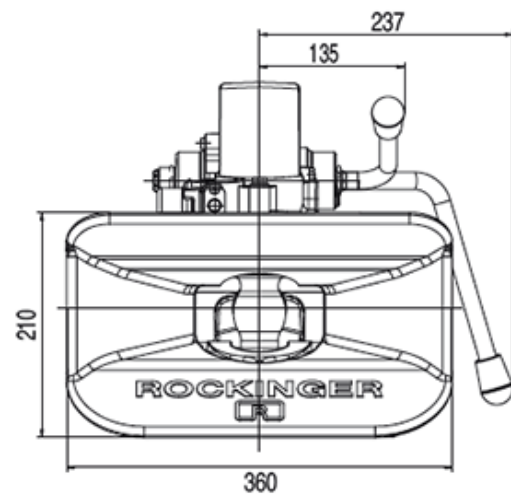
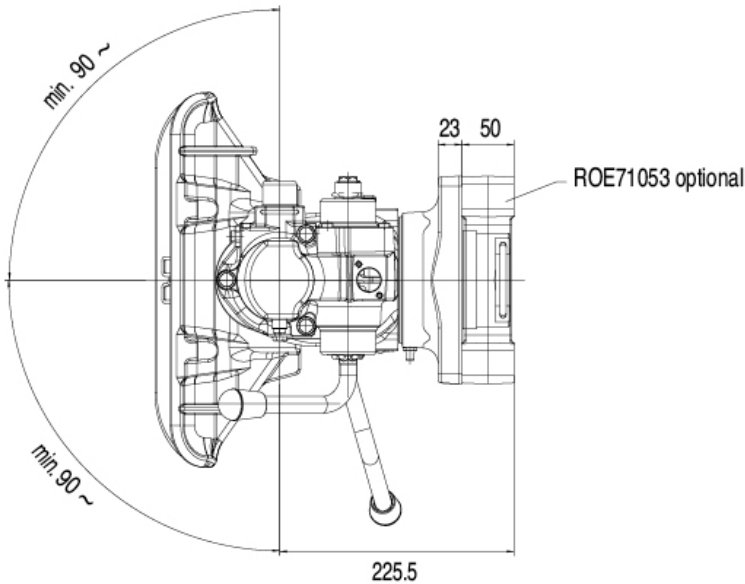
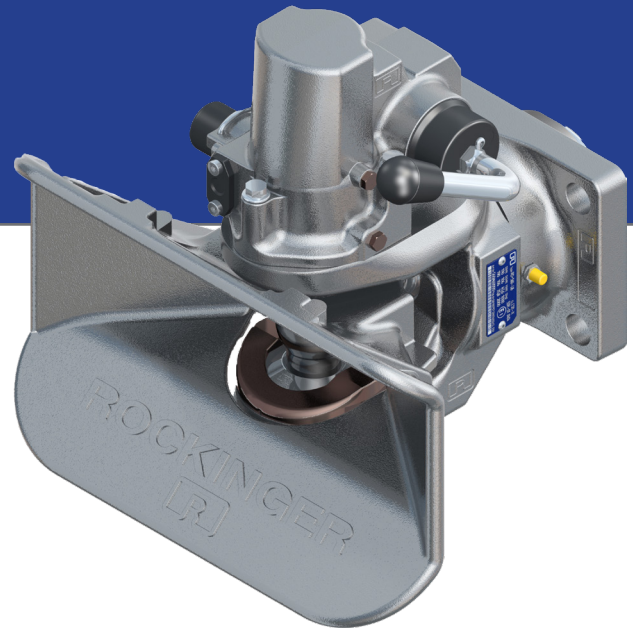
ROCKINGER

RO560B60000

50mm Flange Mount Hitch

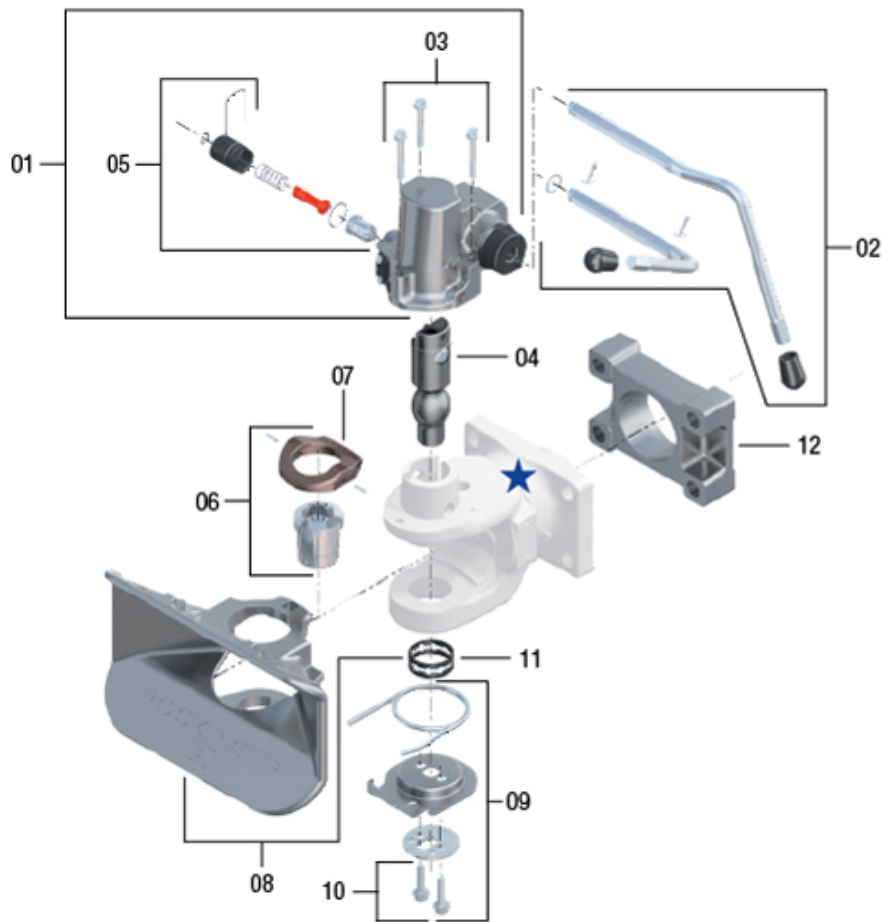
- D Value 190kN
- S Value 2000kgs
- V value 35.8kN
- 160 x 100mm bolt pattern

Approval ECE E1 55R-01 0404



	a (mm)	b (mm)	c (mm)	d (mm)	e (mm)
RO560B6000	160	100	200	140	21

Spare parts



★ Not available as a spare part

Fig	Description	Part No
01	Automatic unit	ROE71858B
02	Hand lever down	ROE50296
03	Screw set	ROE30269
04	Coupling pin	ROE47081
05	Safety system	ROE71747
06	Lower bush	ROE53683

Fig	Description	Part number
07	Support ring steel	ROE70851
07	upport ring bronze	ROE70850
08	Funnel with 11	ROE46111
09	Funnel return spring compl.	ROE71331
10	Screw set	ROE30486
12	Base plate	ROE71053