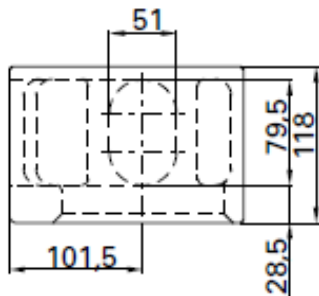
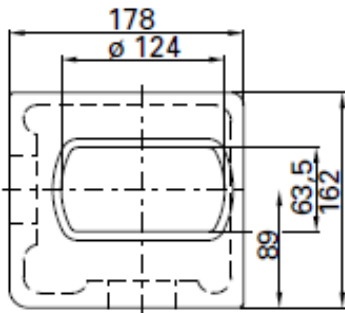
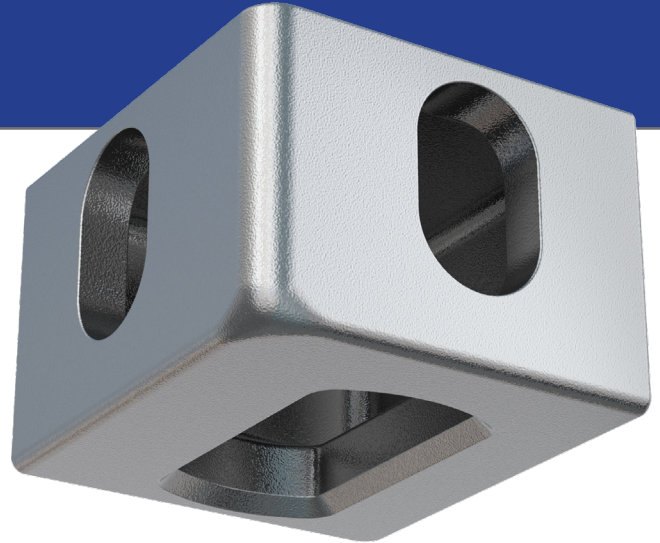
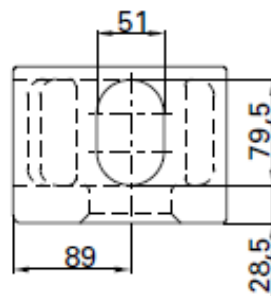


CC 299 BL - CC 300 BR corner casting

Welded to the swap body or container
Used to connect the container to the vehicle or trailer
Cast steel



CC 299 BL



Part No.	Position	Standard	Weight (kg)
CC 299 BL	Bottom left	ISO 1161	11
CC 300 BR	Bottom right	ISO 1161	11

Certificate comparable with 3.2 in accordance with EN 10204