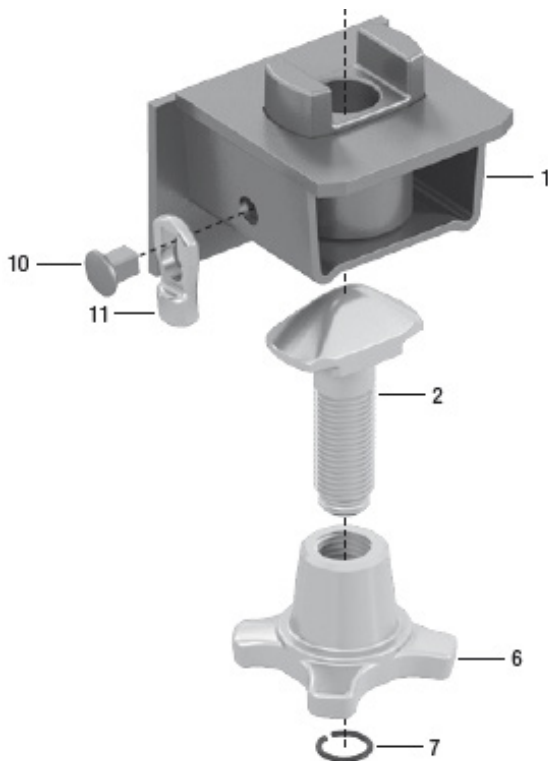
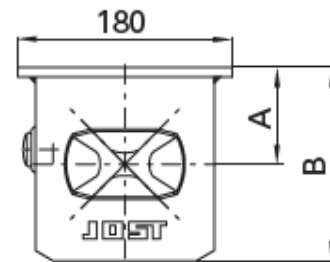
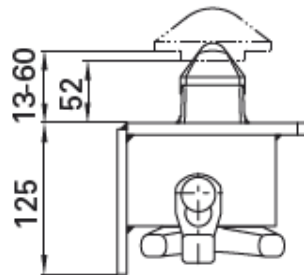
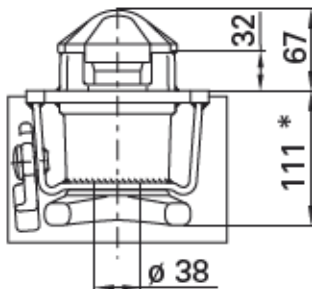
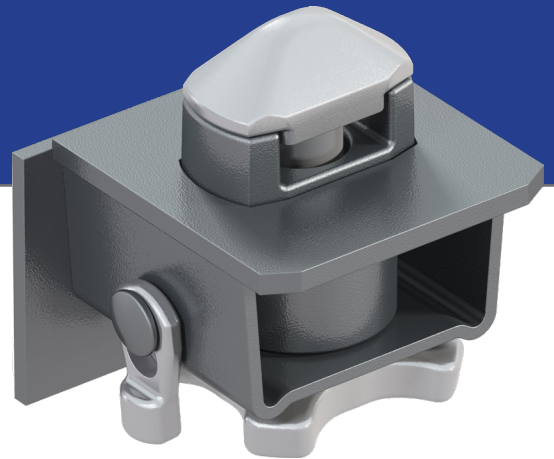


## R 414 F Non-retractable twistlock

Application: Container chassis  
 rec. gross container weight: max. 30.500 kg  
 Locking pin:  $\varnothing$  38 mm (ISO)  
 can be screwed down, non-retractable



Version	A (mm)	B (mm)	Weight (kg)
With back plate	80	160	10.3
Without back plate	72	152	9

Fig	Description	Part No.
1	Housing incl. 10 + 11	905.234.100
2	Locking pin	915.000.137
6	Locking nut	915.000.127
7	Locking ring	915.000.190
10	Pin	905.159.002
11	Latch	915.159.001