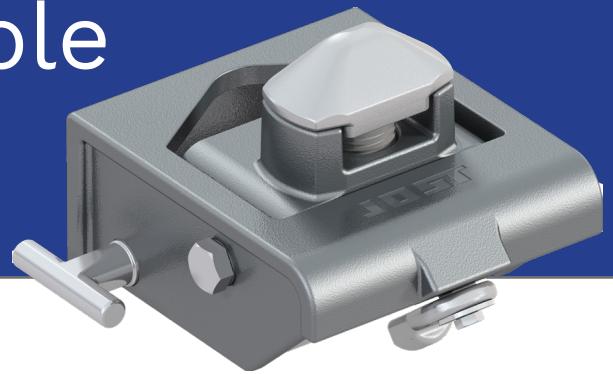
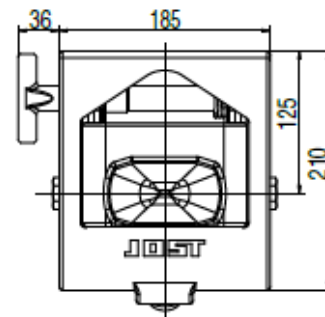
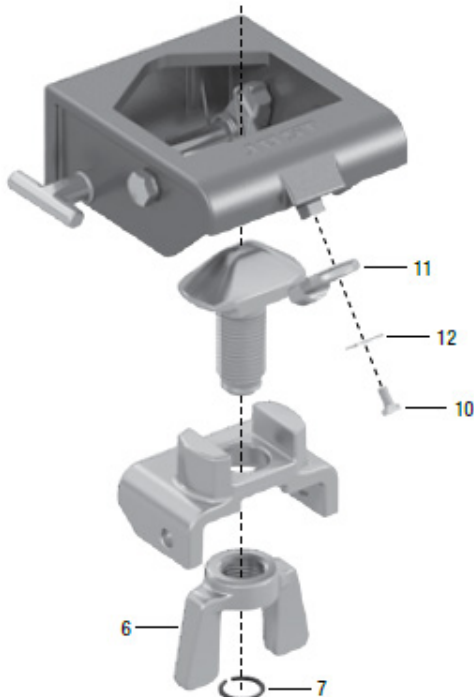
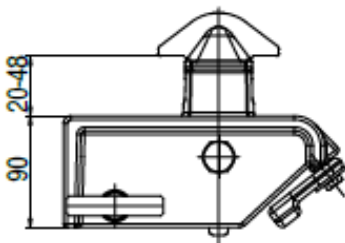
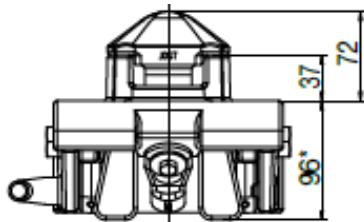


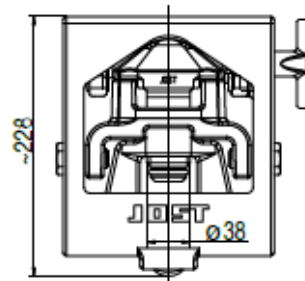
TL 2009 retractable twistlock



Application: Container chassis in centre position
 Particularly low version, inner parts are rotated by 90° into the casing for lowering
 rec. gross container weight: max. 25,400 kg
 Locking pin: \varnothing 38 mm (ISO)
 can be screwed down, retractable



TL 2009 L-G
 deployed position



TL 2009 R-G
 retracted position

Version	Part No.	Weight (kg)
Left	TL 2009 L-G	13.1
Right	TL 2009 R-G	13.1

Fig	Description	Part No.
2	Locking pin	915.000.193
6	Locking nut	915.000.913
7	Locking ring	915.000.190
10, 11, 12	Latch kit	905.159.50