

# JOST

## JSK50 Fifth Wheel Coupling



### JSK50 Heavy Duty Fifth Wheel

- Off-road applications
- 3½" (90mm)
- D Value 300 kN
- Semi oscillating
- Imposed load up to 50t

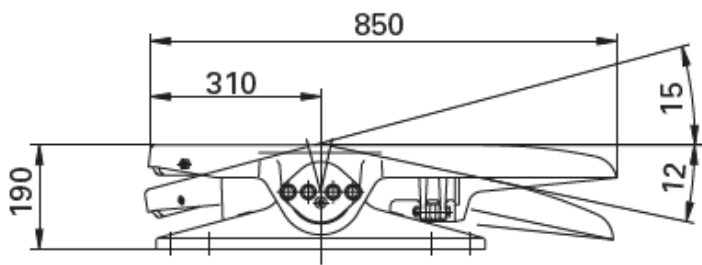
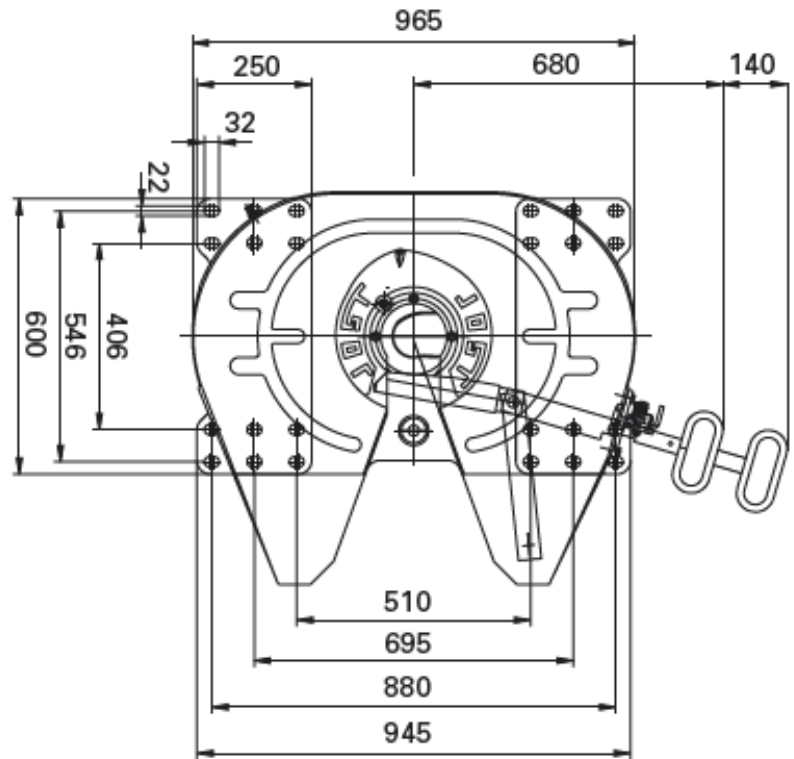
JOST New Zealand Ltd | [www.jostnz.co.nz](http://www.jostnz.co.nz) | Ph 0800 567 869 | [sales@jostnz.co.nz](mailto:sales@jostnz.co.nz)

**Member of JOST World**

# Specifications

## Approval E1 55R-01 2504

- Robust heavy duty fifth wheel coupling for high loads
- Suitable for all types of rear axle steering systems
- Bolt on type pedestals



Suitable for 3½" king pins (G S) as per ECE R55-01, DIN 74083, ISO 4086 and steering wedges as per ECE R55-01, DIN 74085.



# JSK50

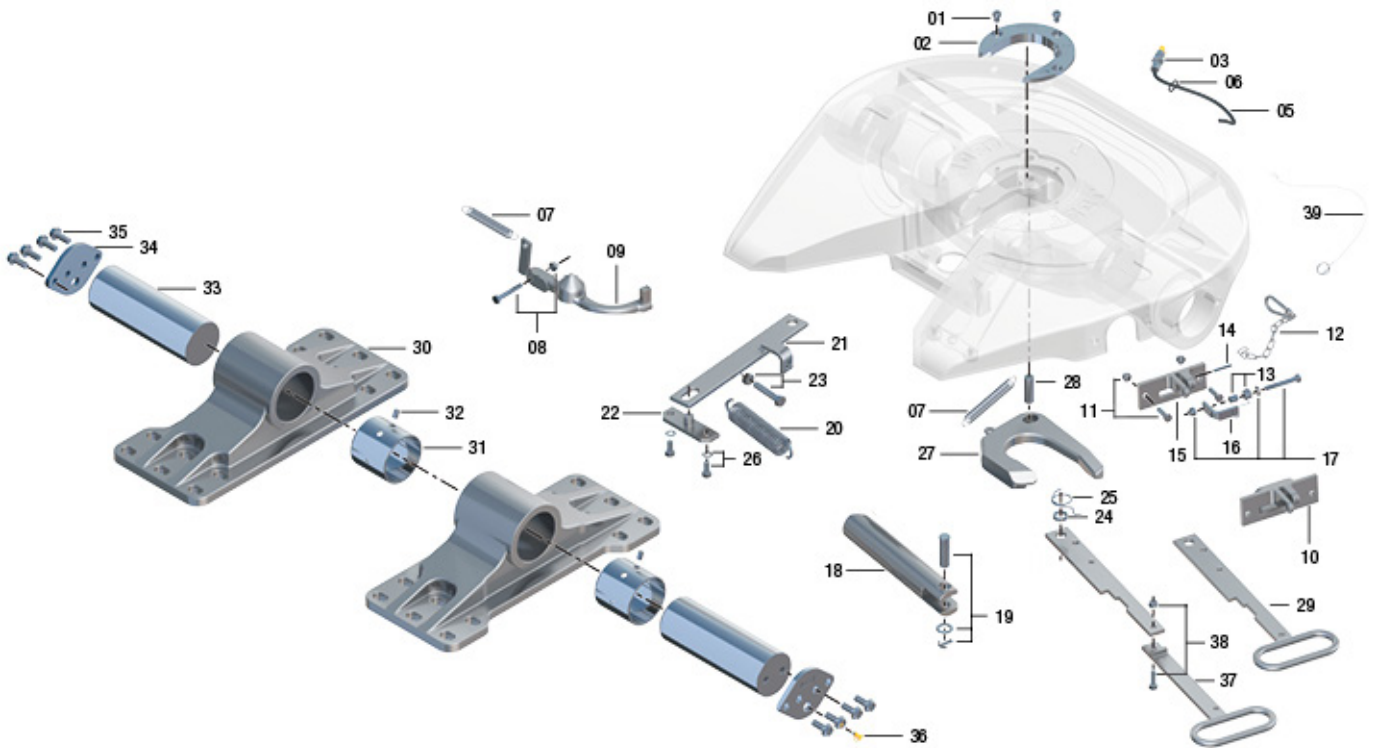


Fig	Description	Part No
01	Socket head bolt	SK2421-08
02	Wear ring with 01	SK2421-56
03	Nut and bolt	SK1976
05	Lubrication tube with 06 (Z type)	SK2508-02
06	Cable tie	SK3121-13
07	Tension spring	SK2106-01
08	Hexagon bolt compl.	SK2421-51
09	Stopper	SK2405-27
10	Guide plate up to xx09xxxxxx	SK2405-22
11	Hexagon bolt compl.	SK2421-50
12	Spring hook compl.	SK1436
13	Spring noose compl.	SK2921-30
14	Clamping pin	NTE000000400
15	Latch holder with 11	SK2405-084
16	Latch compl.	SK3121-52
17	Hexagon bolt compl.	SK3521-03
18	Locking bolt	SK2405-01
19	Bar bolt compl.	SK2121-14
20	Double tension spring	SK2405-23

Fig	Description	Part number
21	Lever	SK2405-04
22	Bearing	SK2405-15
23	Hexagon bolt compl.	SK2421-52
24	Washer	SK2405-19
25	Spring noose	SK2405-09
26	Hexagon bolt compl.	SK2421-53
27	Lock jaw with 06	SK2405-14Z
28	Bolt	SK2405-18
29	Short handle for type K	SK2405-066
30	Pedestal BH190 with 31 and 32	SK2821-51
31	Bearing bush	SK2805-03
32	Cylindrical notched pin	SK1533
33	Pivot pin	SK2805-01
34	Plate	SK2805-02
35	Locking bolt	SK2521-05
36	Taper grease nipple	SK2521-04
37	Handle extension with 38 and 39	SK3121-063
38	Hexagon bolt compl.	SK2421-50
39	Latch cord compl.	SK3521-02

## Repair kits

Fig.	Repair Kit Description	Part No
01, 02, 07, 12, 20, 27, 28	Repair kit for lock jaw	SK2421-76Z
13, 16, 17	Latch kit	SK3121-52KIT



In the worst case scenario, all it takes is a non-functioning fifth wheel coupling locking mechanism, a bolt that is unable to stand up to sufficient pressure, or even just a defective screw to cause an accident. Always choose genuine JOST parts.

Dealers and workshops which sell or install non-genuine items are fully liable for the consequences of their failure. Offering non-original spare parts for connecting systems subject to type approval for sale may be subject to prosecution.

JOST original spare parts and repair kits are available from our distributor network and workshops throughout New Zealand. See our web site for details .



JOST New Zealand Ltd | [www.jostnz.co.nz](http://www.jostnz.co.nz) | Ph 0800 567 869 | [sales@jostnz.co.nz](mailto:sales@jostnz.co.nz)

**JOST ROCKINGER TRIDEC**