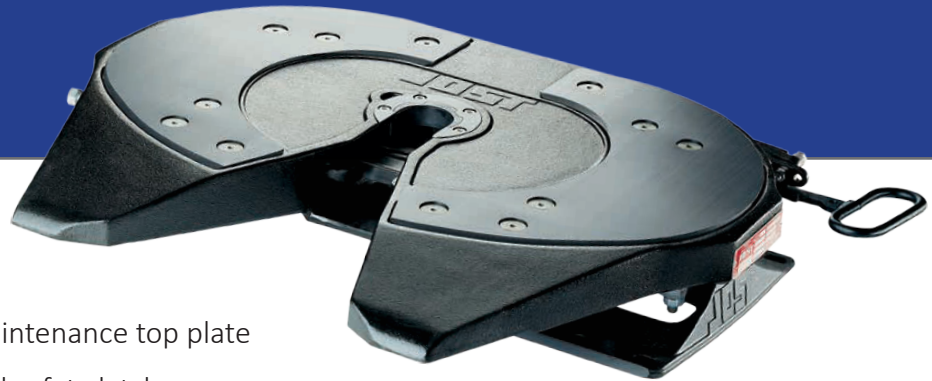
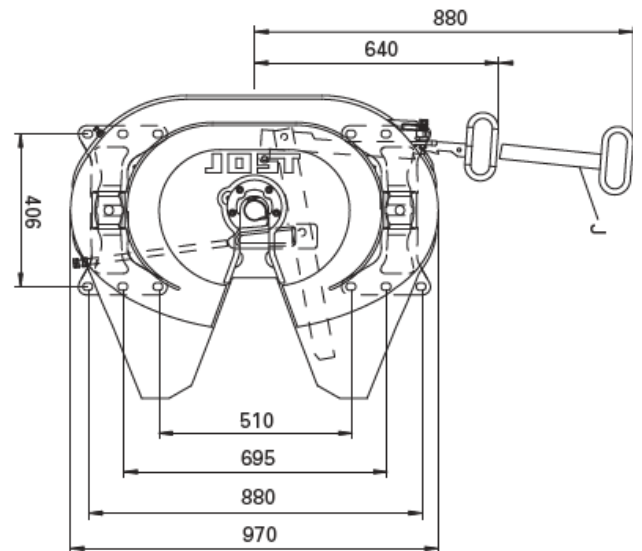
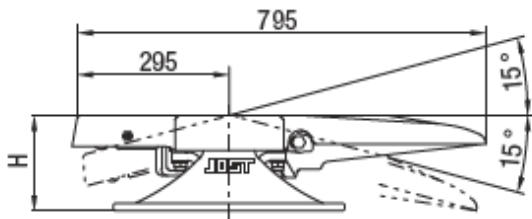


## JSK37C/CW Fifth Wheel



- Cushion type pedestals
- Standard versions or eco-friendly low maintenance top plate
- Secondary locking mechanism with visual safety latch
- Various mounting heights available
- Available with Sensor technology
- Lubetronic unit supplied as standard for JSK 37CW



Part No.	Part No. Sensored	Part No. Low maintenance	Part No. Low maint. sensed	H (mm)	D value (kN)	Imposed load U (t)	Weight (kg)
JSK37CZ 150	JSK37CZS 150	JSK37C 150 W	JSK37C WS 150	150	152	20	148
JSK37CZ 170	JSK37CZS 170	JSK37C 170 W	JSK37C WS 170	170	152	20	152
JSK37CZ 185	JSK37CZS 185	JSK37C 185 W	JSK37C WS 185	185	152	20	153
JSK37CZ 220	JSK37CZS 220	JSK37C 220 W	JSK37C WS 220	220	152	20	165
JSK37CZ 250	JSK37CZS 250	JSK37C 250 W	JSK37C WS 250	250	152	20	169
JSK37CZ 300	JSK37CZS 300	JSK37C 300 W	JSK37C WS 300	300	152	20	178

### Part number explanation:

- JSK37** = Range  
**C** = Cushion pedestals  
**Z** = Prepared for connection to central lubrication system  
**W** = Low maintenance with plastic top plate liner

# Parts list

Approval E1 55R-01 0116

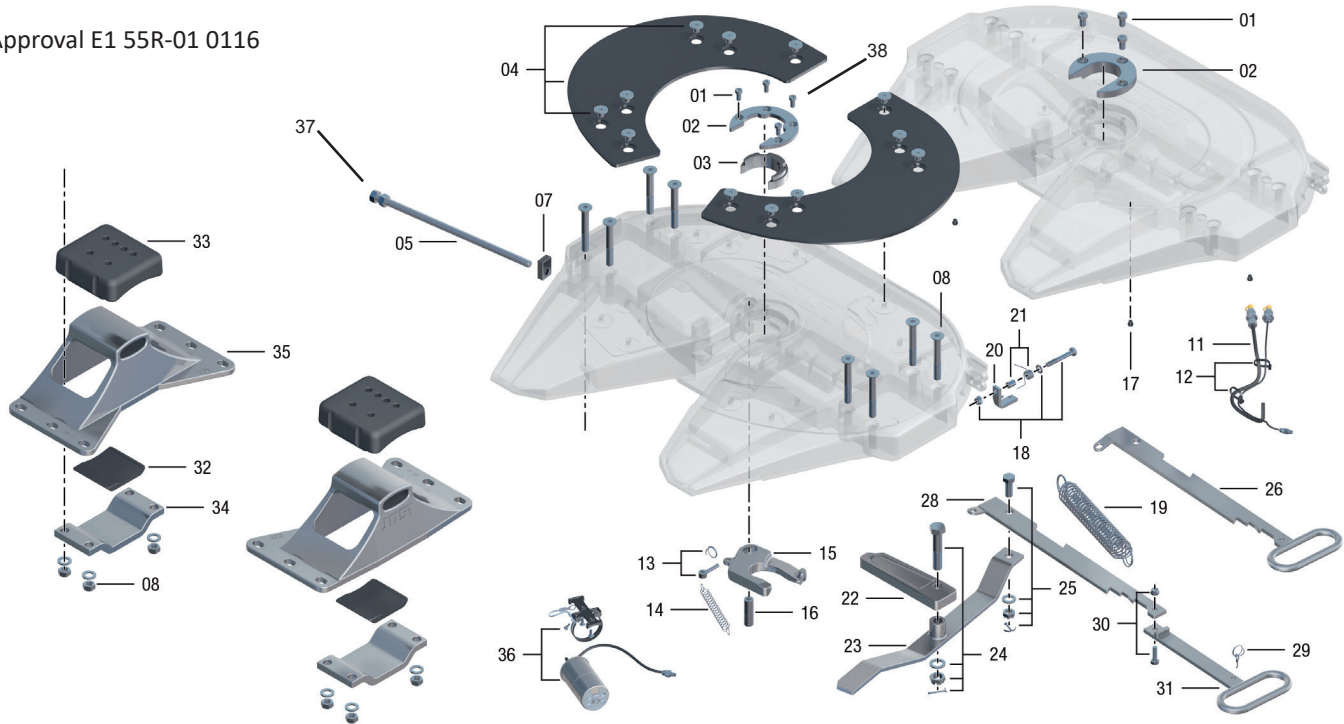


Fig	Description	Part No	Fig	Description	Part No
01	Socket head bolt for JSK37CZ	SK2121-07	23	Lever	SK3105-18
01	Socket head bolt for JSK37CW	SK3121-55	24	Locking bar bolt complete	SK3221-01
02	Wear ring for JSK37CZ (3 bolt)	SK2105-19	25	Head bolt	SK1513
02	Wear ring for JSK37CW (4 Bolt)	SK3105-93	26	Operating handle	SK3105-15
03	Wear ring insert	SK3105-92	28	Internal operating handle	SK3105-115
04	Low maintenance insert kit	SK3106-007	29	Latch cord	SK3521-02
05	Adjusting screw for JSK37CZ	SK3105-05	30	Socket head bolt complete	SK2421-50
05	Adjusting screw for JSK37CW	SK3105-97	31	Extended operating handle	SK3105-113
07	Guide piece	SK3205-07	32	Lower rubber cushion	SK2105-25
08	Countersunk pedestal bolt compl	SK2121-15	33	Upper rubber cushion	SK1259
11	Grease line complete	SK3108-02	34	Mounting bracket	SK1372
13	Eye bolt	SK2122-04	35	Pedestal 150mm bolt on/weldable	SK2104-150
14	Lock jaw spring	SK847		Pedestal 170mm bolt on/weldable	SK2104-170
15	Lock jaw	SK1489Z		Pedestal 185mm bolt on/weldable	SK2104-185
16	Lock jaw pivot complete	SK2106-67		Pedestal 220mm bolt on/weldable	SK2104-220
18	Bolt for secondary safety latch	SK3521-03		Pedestal 250mm bolt on/weldable	SK2104-250
19	Double tension spring	SK3105-20		Pedestal 300mm bolt on	SK2104-300
20	Latch for secondary safety latch	SK3121-52	36	LubeTronic grease cartridge	SKE003110310
21	Spring noose with spacer	SK3121-59	37	Nut to suit adjusting screws	SK2121-78
22	Locking bar	SK3205-06	38	Low maintenance insert bolt only	SKT001006000

## Repair kits

Fig.	Repair Kit Description	Part No
14, 15, 16	Repair kit for locking device for JSK37CZ / CW	SK3221-52Z
01, 02, 14, 15, 16,	Repair kit for locking device for JSK37CZ (3 bolt wearing ring)	SK3221-50Z
01, 02, 03	Repair kit for wearing ring for JSK37CW (4 bolt wearing ring)	SK3105-94
08, 32, 33	Repair kit for upper and lower rubbers for JSK37CZ / CW	SK2121-69Z
18, 20, 21	Repair kit for secondary safety latch complete for JSK37 CZ / CW	SK3121-52KIT
04	Greaseless pad insert kit including bolts for JSK37CW	SK3106-007
01, 03, 11, 14, 15, 16, 25	Jaw repair kit for JSK37CW (4 bolt wear ring)	SK3121-060Z
01, 02, 03, 14, 15, 16, 36	Repair kit for Lubetronic locking device complete for JSK37CW	SKE004070100
JSK37CZ	Complete fifth wheel top for JSK37CZ Long handle	JSK37CZ-NP
JSK37CW	Complete fifth wheel top for JSK37CW Long handle	JSK37CZW-NP

## Sensor coupling spare parts

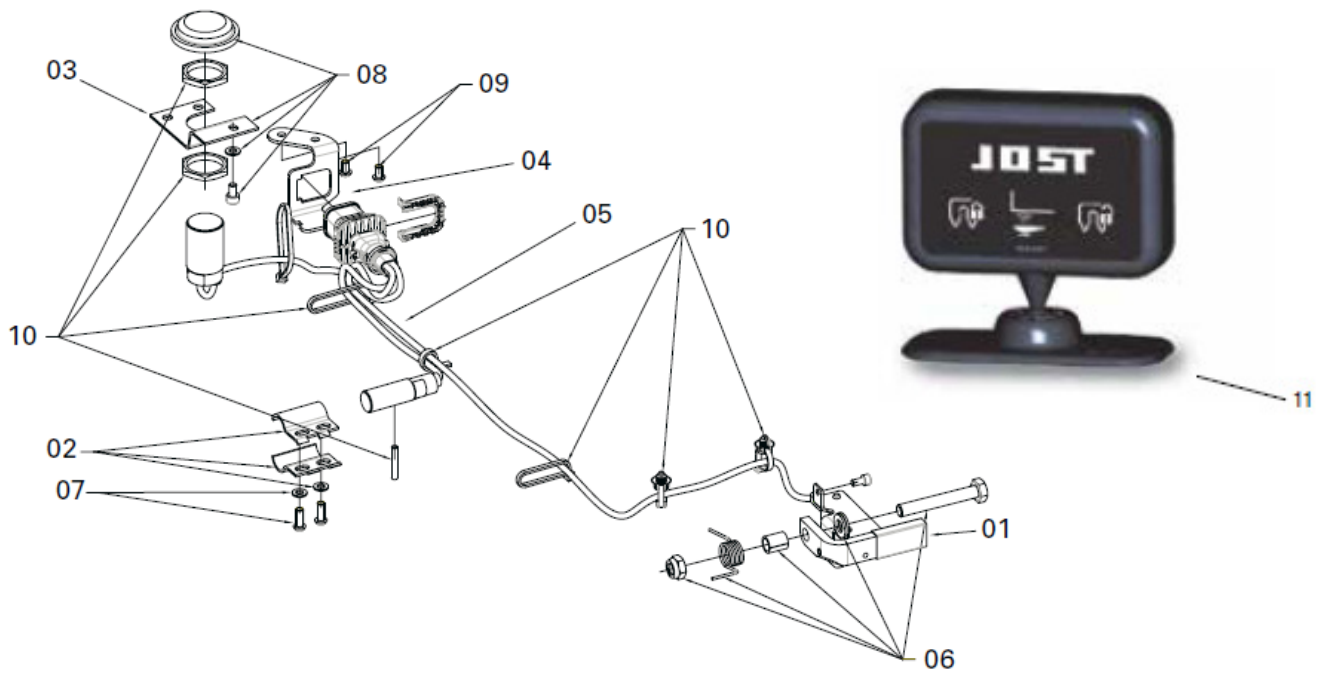


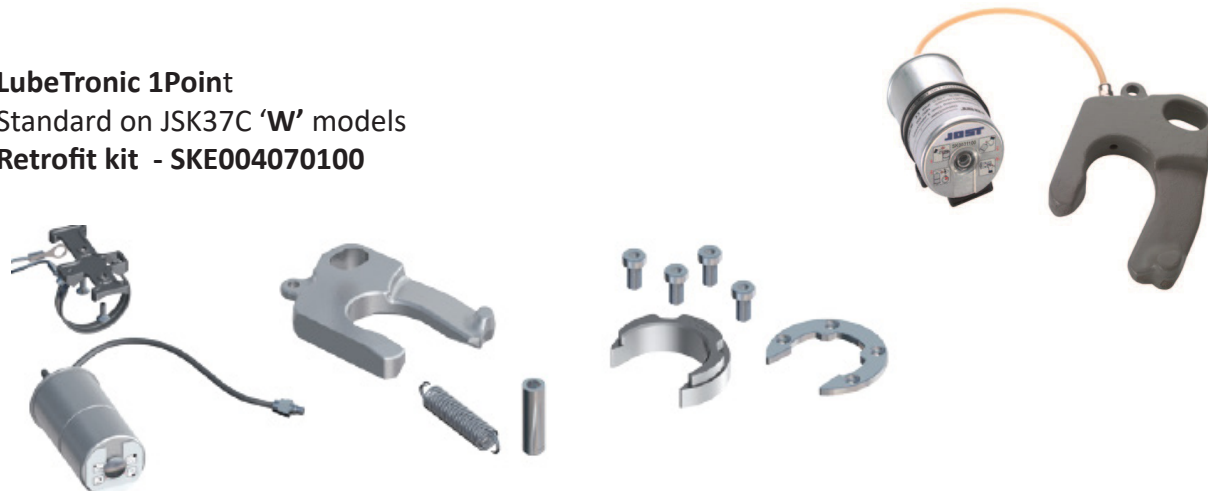
Fig	Description	Part No.	Remark
01	Latch with locking magnet	SKE002905104	with 06
02	Retaining plate for king pin sensor	SKE002905130	
03	Retaining plate for trailer sensor	SKE003220100	with 08
04	Retaining plate for pin housing JSK 37	SKE006160000	with 09
05	3-sensor cable harness with retaining plate for locking sensor	SKE006140101	with 06, 08, 09, 10
11	Sensor display with 3 sensors – 24 V	SKE006350110	
11	Sensor display with 3 sensors – 12 V	SKE501620200	
12	Connection cable, ADR quality (7-pole round plug)	SKE002110300	
13	Adapter cable (pole round plug vs pole angular plug)	SKE011300000	
14	Single trailer plate sensor for JSK 37 – Standard	SKE117962100	with 02, 03, 08
15	Single king pin sensor for JSK 37 – Standard	SKE117948000	
16	Single locking mechanism sensor for JSK 37	SKE009800001	

### Standard fifth wheel couplings can not be retrofitted with sensors

#### LubeTronic 1Point

Standard on JSK37C 'W' models

Retrofit kit - SKE004070100



# Original spare parts - better safe than sorry!



In the worst case scenario, all it takes is a non-functioning fifth wheel coupling locking mechanism, a bolt that is unable to stand up to sufficient pressure, or even just a defective screw to cause an accident. Always choose genuine JOST parts.

Dealers and workshops which sell or install non-genuine items are fully liable for the consequences of their failure. Offering non-original spare parts for connecting systems subject to type approval for sale may be subject to prosecution.

JOST original spare parts and repair kits are available from our distributor network and workshops throughout New Zealand. See our web site for details .



JOST New Zealand Ltd | [www.jostnz.co.nz](http://www.jostnz.co.nz) | Ph 0800 567 869 | [sales@jostnz.co.nz](mailto:sales@jostnz.co.nz)

**JOST ROCKINGER TRIDEC**