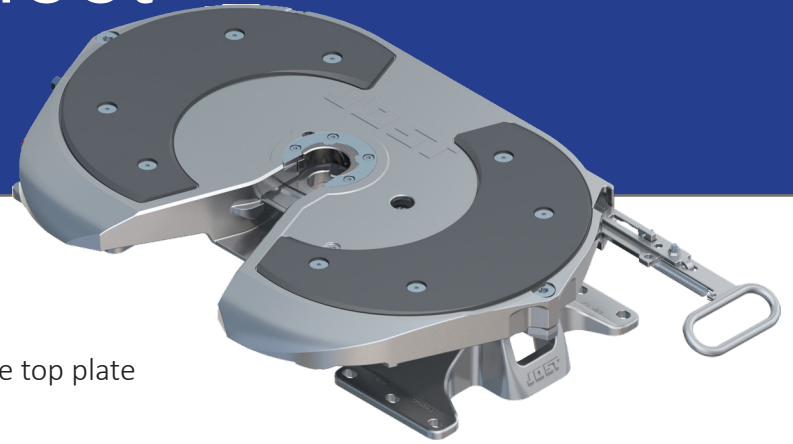
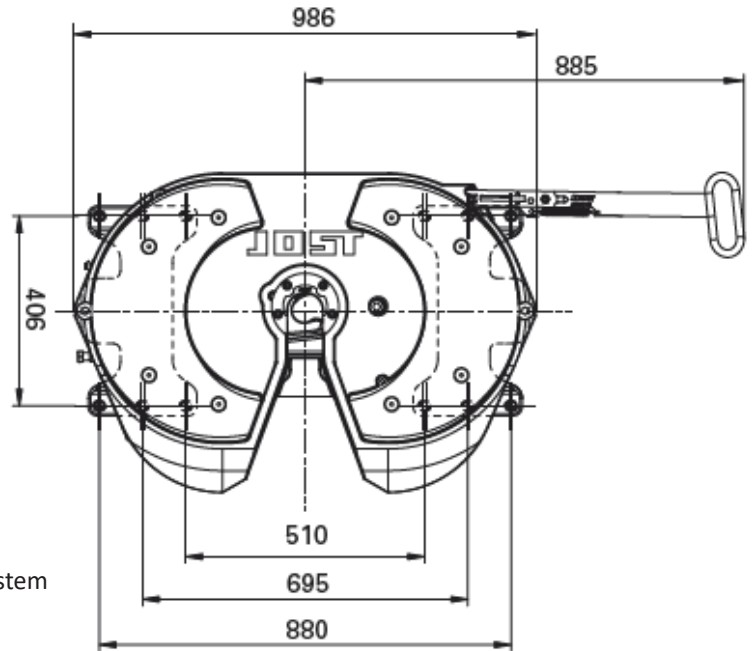
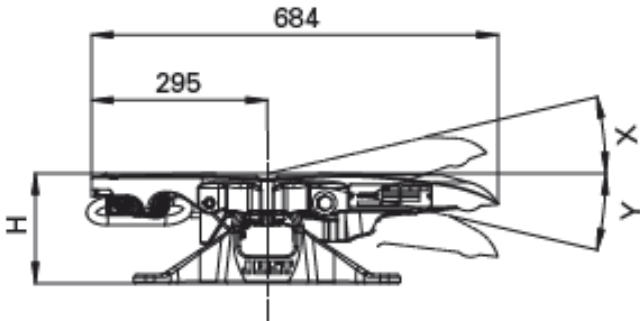


## JSK42 Fifth Wheel



- Available in maintenance free slide bearing
- Standard versions or eco-friendly low maintenance top plate
- Available with Sensor technology
- Lubetronic unit supplied as standard for JSK42-W



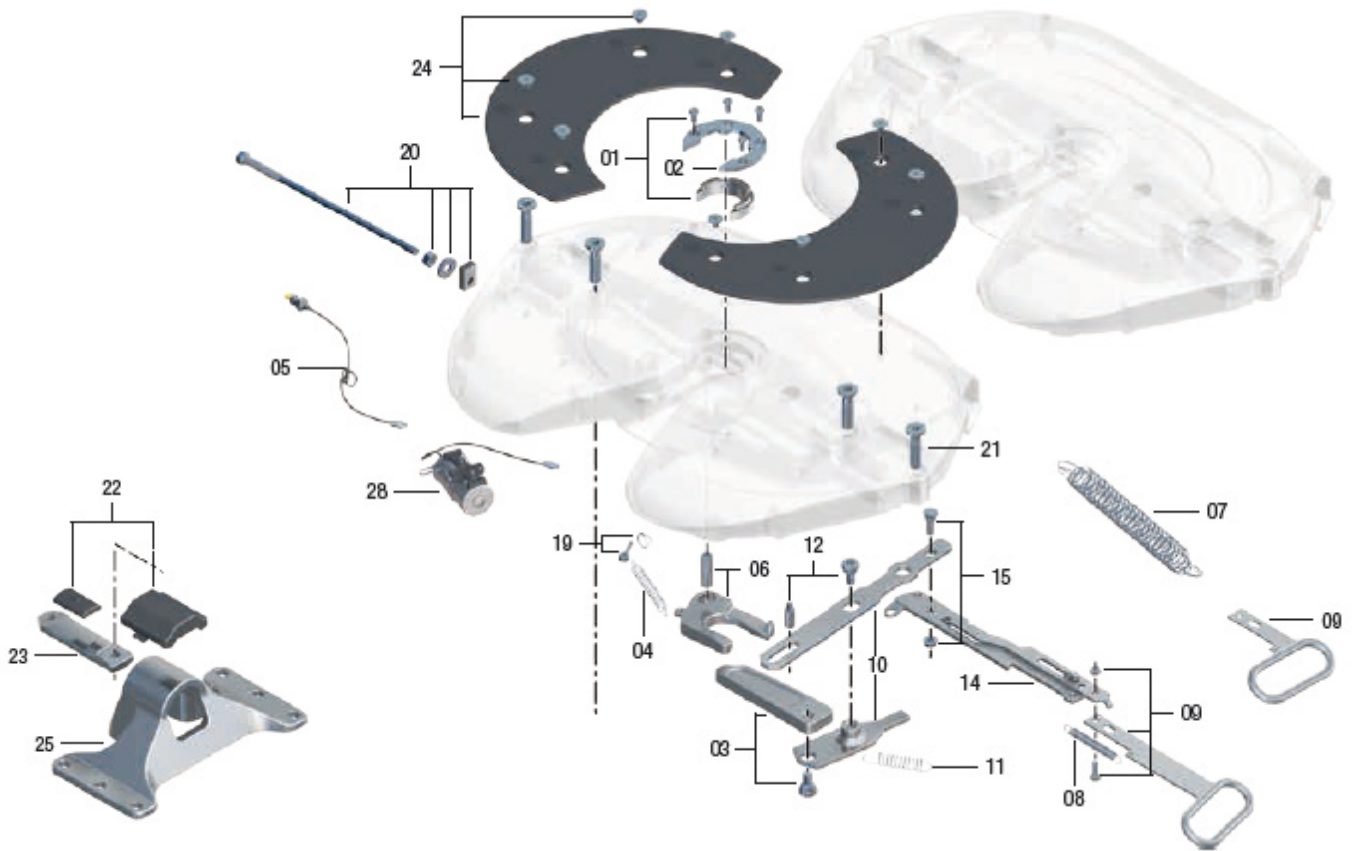
**Variant explanation:**

- Z** = Prepared for connection to central lubrication system
- W** = Low maintenance with plastic top plate liner
- LT1P** + Lubetronic 1Point

| Part No.          | H (mm) | D value (kN) | Imposed load U (t) | Weight (kg) | X/Y degrees | Variant       |
|-------------------|--------|--------------|--------------------|-------------|-------------|---------------|
| JSK42 K0 20 35 AA | 150    | 152          | 20                 | 126         | 13          | Z             |
| JSK42 K0 20 C6 AA | 150    | 152          | 20                 | 126         | 13          | Z + Sensor    |
| JSK42 K0 20 87 AA | 150    | 152          | 20                 | 126         | 13          | W+LT1P        |
| JSK42 K0 20 C7 AA | 150    | 152          | 20                 | 126         | 13          | W+LT1P+sensor |
| JSK42 K0 38 35 AA | 185    | 152          | 20                 | 124         | 19          | Z             |
| JSK42 K0 38 C6 AA | 185    | 152          | 20                 | 124         | 19          | Z + Sensor    |
| JSK42 K0 38 87 AA | 185    | 152          | 20                 | 124         | 19          | W+LT1P        |
| JSK42 K0 38 C7 AA | 185    | 152          | 20                 | 124         | 19          | W+LT1P+sensor |
| JSK42 K0 57 35 AA | 225    | 152          | 20                 | 129         | 25          | Z             |
| JSK42 K0 57 87 AA | 225    | 152          | 20                 | 129         | 25          | W+LT1P        |
| JSK42 K0 70 35 AA | 250    | 152          | 20                 | 134         | 27          | Z             |
| JSK42 K0 70 87 AA | 250    | 152          | 20                 | 134         | 27          | W+LT1P        |

# Spare parts

Approval E1 55R-01-1266



| Fig | Description                 | Part No      |
|-----|-----------------------------|--------------|
| 01  | Wearing part + mount. bolts | SKE001740020 |
| 02  | Mounting ring (with 01)     | SK3105-94    |
| 03  | Locking bolt + mount. bolt  | SKE001009720 |
| 04  | Tension spring              | SK847        |
| 05  | Lubrication line            | SK3105-92    |
| 06  | Lock jaw (with 04 + 05)     | SK3221-52Z   |
| 07  | Double tension spring       | SK3105-20    |
| 08  | Locking spring              | SKE001440000 |
| 09  | Short handle (with 08)      | SKE001390020 |
| 09  | Long handle (with 08)       | SKE001390120 |
| 10  | Lever kit (with 11 + 12)    | SKE001380020 |
| 11  | Lever spring                | SKE001009800 |
| 12  | Lever bolts                 | SKE001750020 |

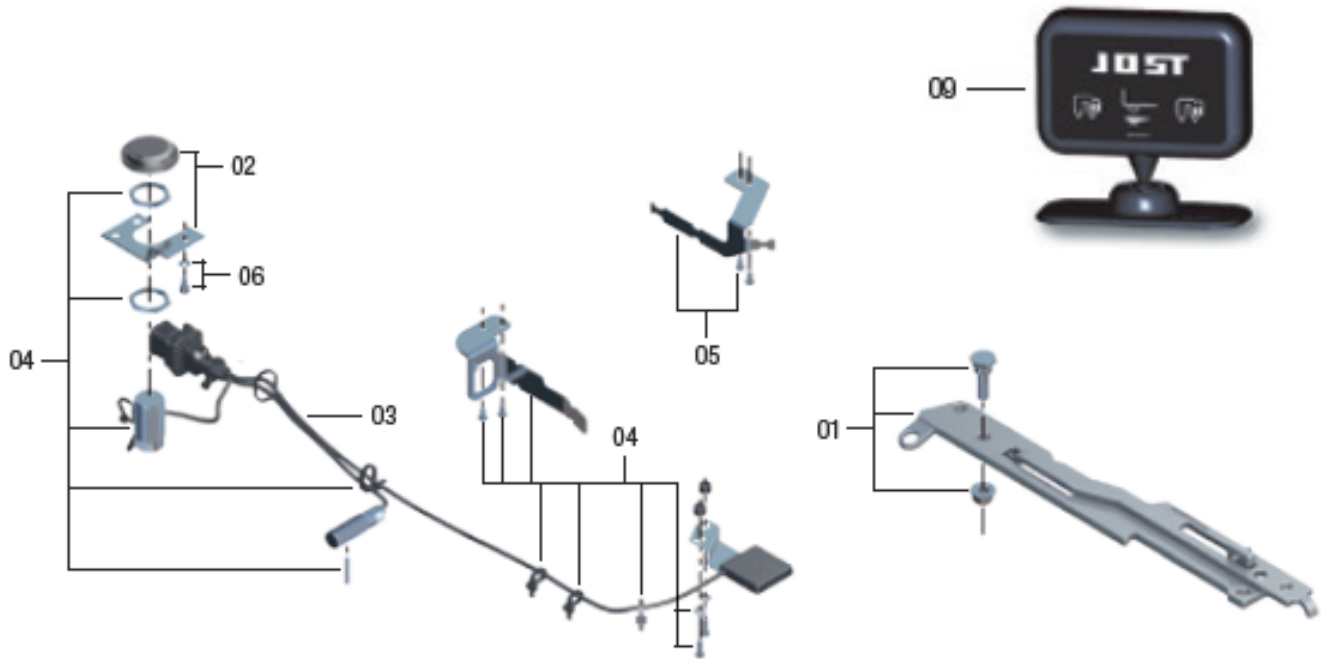
| Fig | Description                 | Part No      |
|-----|-----------------------------|--------------|
| 14  | Lever (with 15)             | SKE001620020 |
| 15  | Lever bolt                  | SKE001650020 |
| 19  | Eye bolt                    | SK 2122-04   |
| 20  | Adjusting screw             | SKE500740220 |
| 21  | Bridge bolt                 | SKE001011400 |
| 22  | Collar (with 21)            | SKE001370020 |
| 23  | Bridge (with 21)            | SKE001530220 |
| 24  | Top plate liner with screws | SKE001007020 |
| 25  | Pedestal 150mm              | SKE001005620 |
| 25  | Pedestal 185mm              | SKE001005720 |
| 25  | Pedestal 225mm              | SKE001005820 |
| 25  | Pedestal 250mm              | SKE001005920 |

**Repair kits**

| Fig.                       | Repair Kit Description                             | Part No      |
|----------------------------|--|--------------|
| 01, 02, 03, 04, 05, 06, 19 | Repair kit for locking device                      | SKE001640020 |
| 21, 22                     | Repair kit for bearing                             | SKE001370220 |
| 24                         | Repair kit for plastic top plate liner with screws | SKE001007020 |
| 01, 02, 03, 28             | Repair kit for LT 1P complete                      | SKE004070100 |

**Enquire about our frame mounted fifth wheel couplings to suit MAN, Mercedes-Benz, Iveco**

## Sensor coupling spare parts



| Fig | Description  | Part No.     | Remark          |
|-----|--|--------------|-----------------|
| 01  | Sensor locking bar kit, with magnet                  | SKE001360600 |                 |
| 02  | Trailer sensor retaining plate with mounting parts   | SKE003220100 | with 06         |
| 03  | 3-sensor cable harness with mounted retaining plate  | SKE006140001 | with 04, 05, 06 |
| 07  | Guide plate with mounting elements                   | SKE006150000 |                 |
| 09  | Sensor display with 3 sensors – 24 V                 | SKE501620200 |                 |
| 09  | Sensor display with 3 sensors – 12 V                 | SKE501620500 |                 |
| 11  | Connection cable, ADR quality (7-pole round plug)    | SKE002110300 |                 |
| 12  | Adapter cable (pole round plug vs pole angular plug) | SKE011300000 |                 |
| 13  | Single trailer plate sensor – Standard               | SKE117962100 |                 |
| 14  | Single king pin sensor                               | SKE117947900 | with 02, 06, 08 |
| 15  | Single locking mechanism sensor                      | SKE117947800 |                 |

**Standard fifth wheel couplings can not be retrofitted with sensors**

# Original spare parts - better safe than sorry!



In the worst case scenario, all it takes is a non-functioning fifth wheel coupling locking mechanism, a bolt that is unable to stand up to sufficient pressure, or even just a defective screw to cause an accident. Always choose genuine JOST parts.

Dealers and workshops which sell or install non-genuine items are fully liable for the consequences of their failure. Offering non-original spare parts for connecting systems subject to type approval for sale may be subject to prosecution.

JOST original spare parts and repair kits are available from our distributor network and workshops throughout New Zealand. See our web site for details .



JOST New Zealand Ltd | [www.jostnz.co.nz](http://www.jostnz.co.nz) | Ph 0800 567 869 | [sales@jostnz.co.nz](mailto:sales@jostnz.co.nz)

**JOST ROCKINGER TRIDEC**