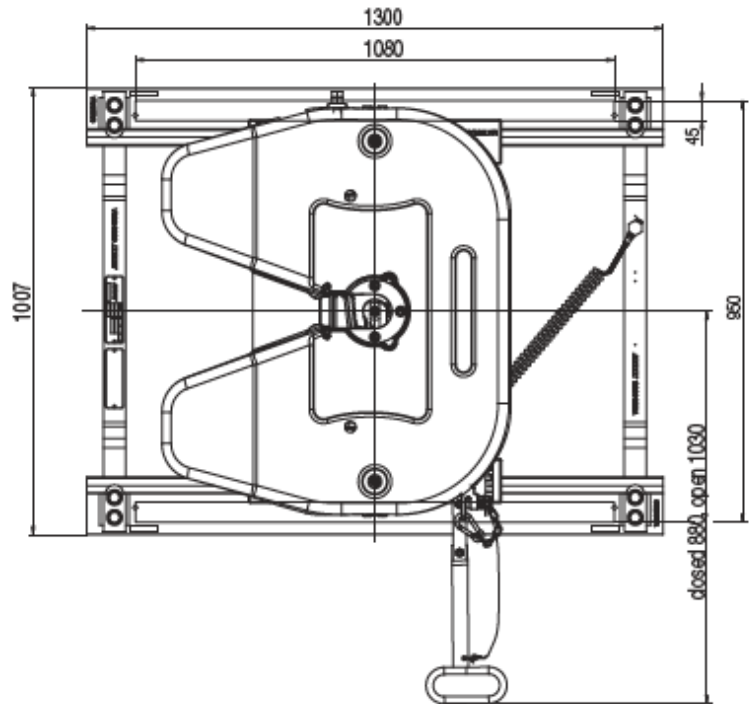
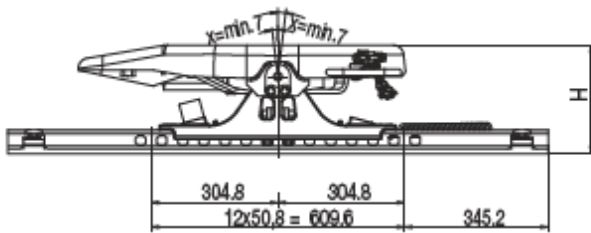


ProTech Slider



- Suitable for wider truck frames
- The weight is reduced by 25 kg compared to similar products of competitors
- Tappets in throat of fifth wheel coupling to correctly position king pin
- Supplied with JSK37E fifth wheel



Part No.	H (mm)	D value (kN)	Remark	Imposed load U (t)	Weight (kg) approx.
JSKPOE0 33 20 AA	175	152		20	227
JSKPOE0 33 24 AA	175	152	Low maintenance/ sensed	20	227
JSKPOE0 33 13 AA	175	152	Low maintenance	20	227
JSKPOE0 47 20 AA	205	152		20	230
JSKPOE0 47 24 AA	205	152	Low maintenance/sensed	20	230
JSKPOE0 47 13 AA	205	152	Low maintenance	20	230
JSKPOE0 71 20 AA	260	152		20	233
JSKPOE0 71 24 AA	260	152	Low maintenance/ sensed	20	233
JSKPOE0 71 13 AA	260	152	Low maintenance	20	233

Other variants available (Volvo, IVECO, Actros)

Spare parts

Approval E1 55R-01 2197

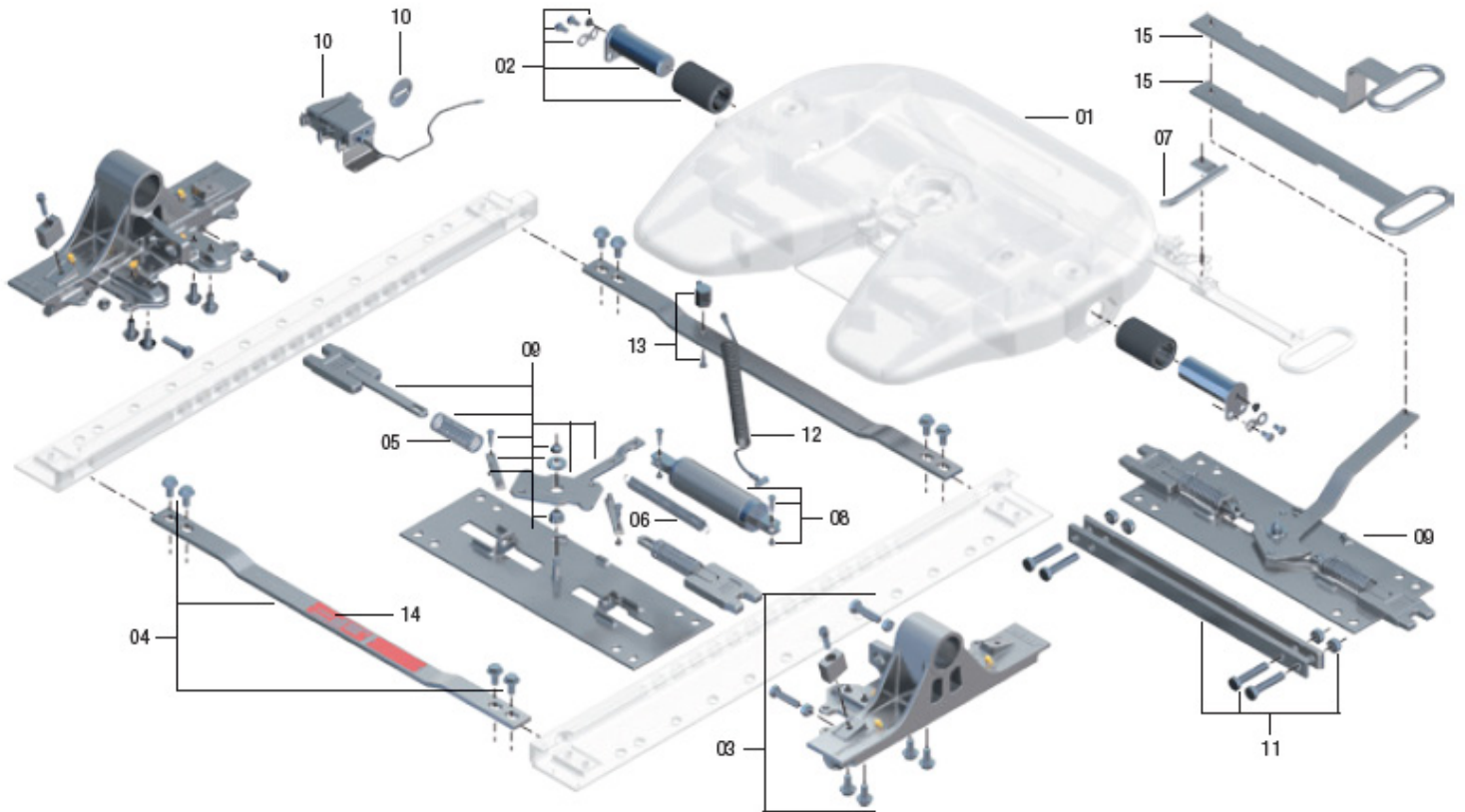


Fig	Description	Part No
01	Fifth wheel coupling - refer JSK37E parts list.	
02	Bearing	SK 3121-061
03	Pedestal Kit 175mm	SLE603240120
03	Pedestal Kit 205mm	SLE603800020
03	Pedestal Kit 260mm	SLE603260020
04	Traverse kit	SLE600400020
05	Pressure spring	SLE201330020

Fig	Description	Part No
06	Double tension spring	SLE202610000
08	Cylinder, kit	SLE202410020
09	Base plate, kit pneumatic	SLE600010200
10	Pneumatics kit	V 1021-54
12	Pneumatic pipe	SLE203070000
13	Connector, kit	SLE203050200

The gear racks are not available as spare parts. Pneumatic version only available in NZ

JOST New Zealand Ltd | www.jostnz.co.nz | Ph 0800 567 869 | sales@jostnz.co.nz

JOST ROCKINGER TRIDEC