

# ROCKINGER

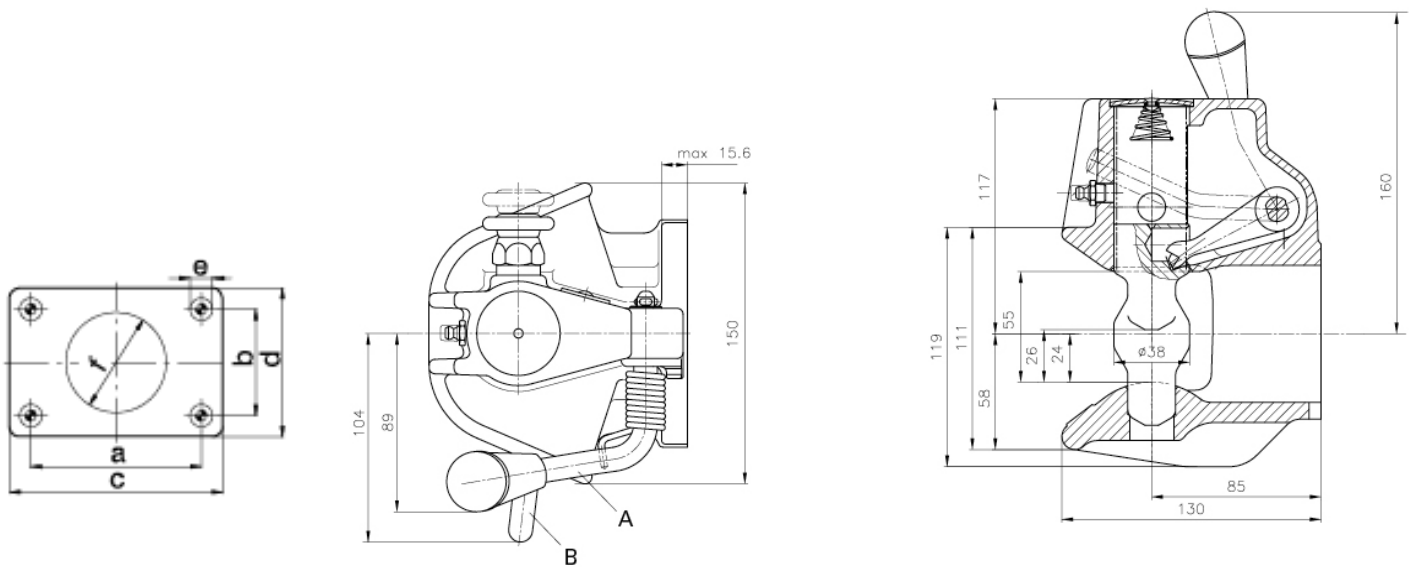
## RO243A11000

### 40mm Compact Hitch

- D Value 30kN
- S Value 250kgs
- V value 8.4 kN
- 83 x 56mm bolt pattern



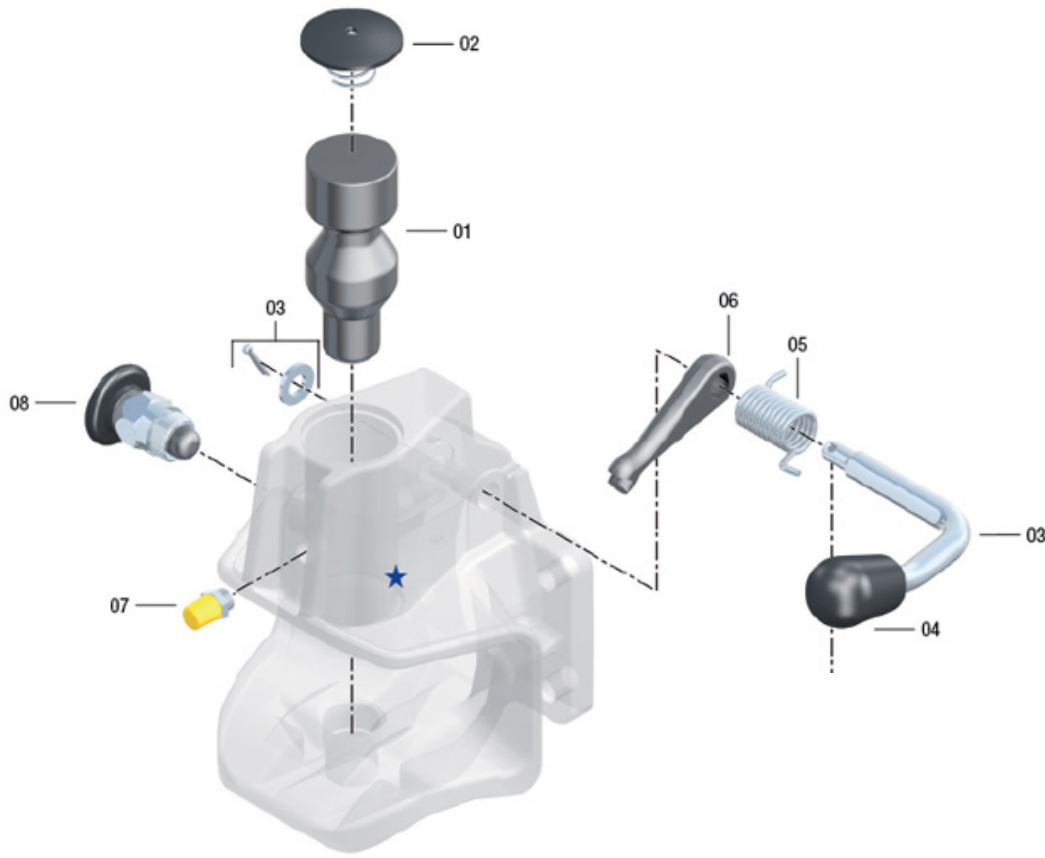
Approval ECE E1 55R-010031



	a (mm)	b (mm)	c (mm)	d (mm)	e (mm)	Handle position
RO243A11000	83	56	110	85	10.5	A



## Spare parts



★ Not available as a spare part

Fig	Description	Part No
01	Coupling pin	ROE47026
02	Sealing cover	ROE67411
03	Hand lever up	ROE70355
04	Cap	ROE25106

Fig	Description	Part number
06	Repair kit w. 03, 04, 05, 09,10	ROE70927
07	Grease nipple	ROE65018
08	Safety catch	ROE70618