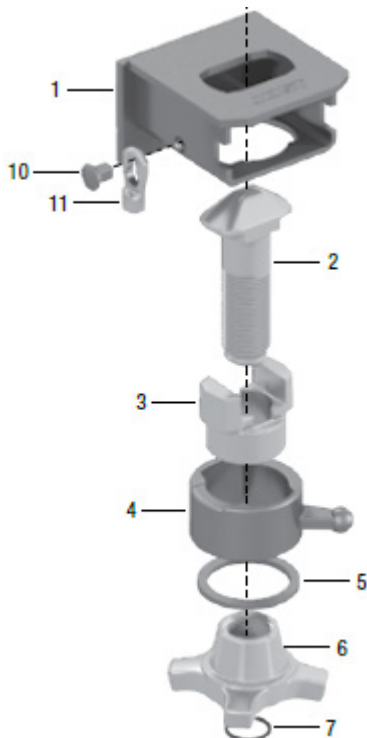
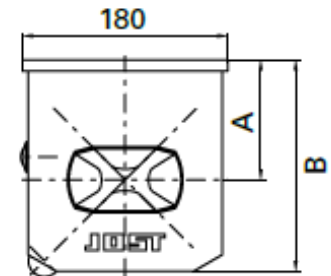
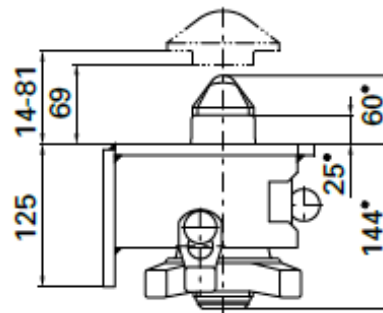
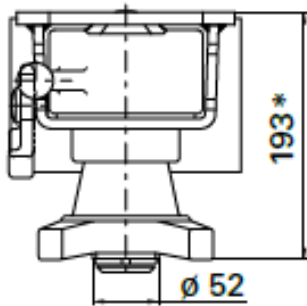
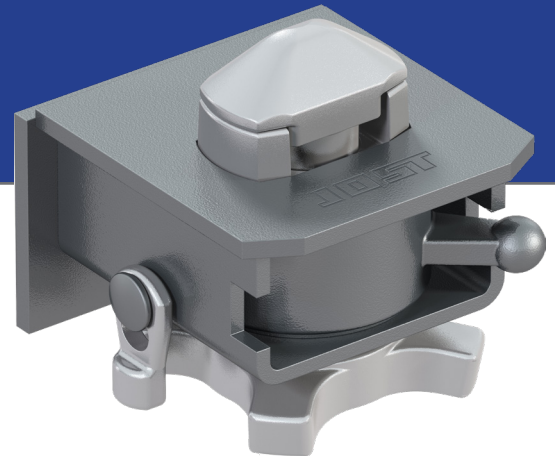


R 401 VAK retractable twistlock

Application: Container chassis
 rec. gross container weight: max. 34000 kg
 Locking pin: \varnothing 52 mm (ISO)
 can be screwed down, retractable



Version	A (mm)	B (mm)	Weight (kg)
With back plate	105	185	16.4
Without back plate	95	175	14.7

Fig	Description	Part No.
1	Housing incl. 10 + 11	905.234.100
2	Locking pin	915.000.213
2	Guide bush	915.000.161
4	Outer bush	915.000.160
5	Spacer ring	915.000.188
6	Locking nut	915.000.072
7	Locking ring	915.000.187
10	Pin	905.159.002
11	Latch	915.159.001