

JOST

JSK38 Fifth Wheel Couplings



JSK38 Series

- Highway and off-road applications
- 3½" (90mm) and 2" (50mm)
- 170 - 260 kN options
- Semi oscillating and fully oscillating
- Imposed load up to 36t
- Retrofittable from 2" or 3½" and vice versa

JOST New Zealand Ltd | www.jostnz.co.nz | Ph 0800 567 869 | sales@jostnz.co.nz

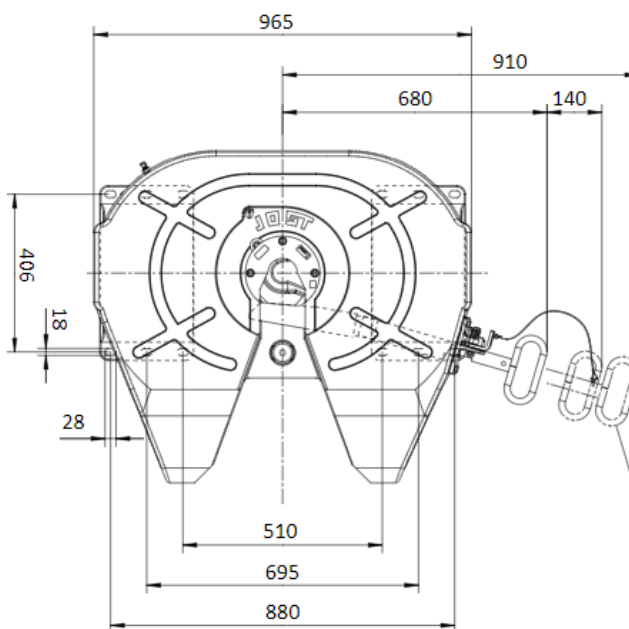
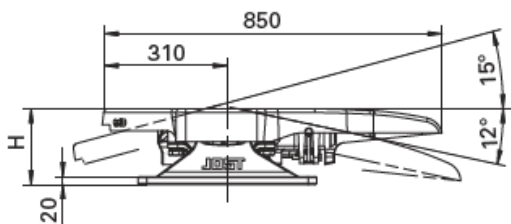
Member of JOST World

Specifications

JSK38C

Mounting pattern to DIN standard 74081 and 74084

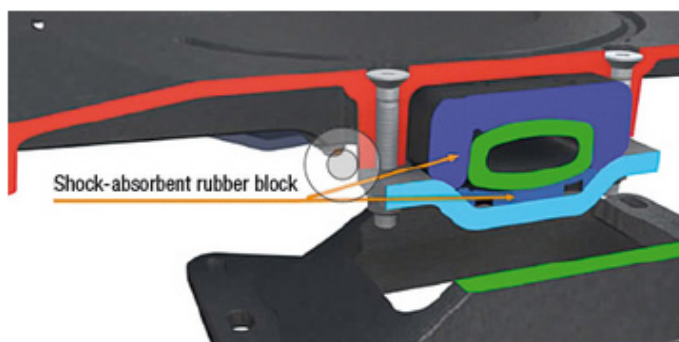
- Especially robust heavy duty fifth wheel coupling
- Especially for use on poor road conditions
- Shock-absorbing rubber bearing
- Retrofittable from 2" or 3½" and vice versa



Part No.	H (mm)	D value (kN)	Lock	Imposed load U (t)	Weight (kg)
JSK38C-1-160	160	260**	3½"	36	184
JSK38C-1	190	260**	3½"	36	190
JSK38C-1-2-160	160	216*	2"	28	184
JSK38C-1-2	190	216*	2"	28	190

Approval

- * CRN 16913 - 2"
- ** CRN 24329 - 3½"



Rubber bearing – Model “C”

Fifth wheel couplings with rubber mountings are particularly suitable for poor quality road surfaces. The rubber cushions are shock-absorbent and maintenance-free.

JSK38C

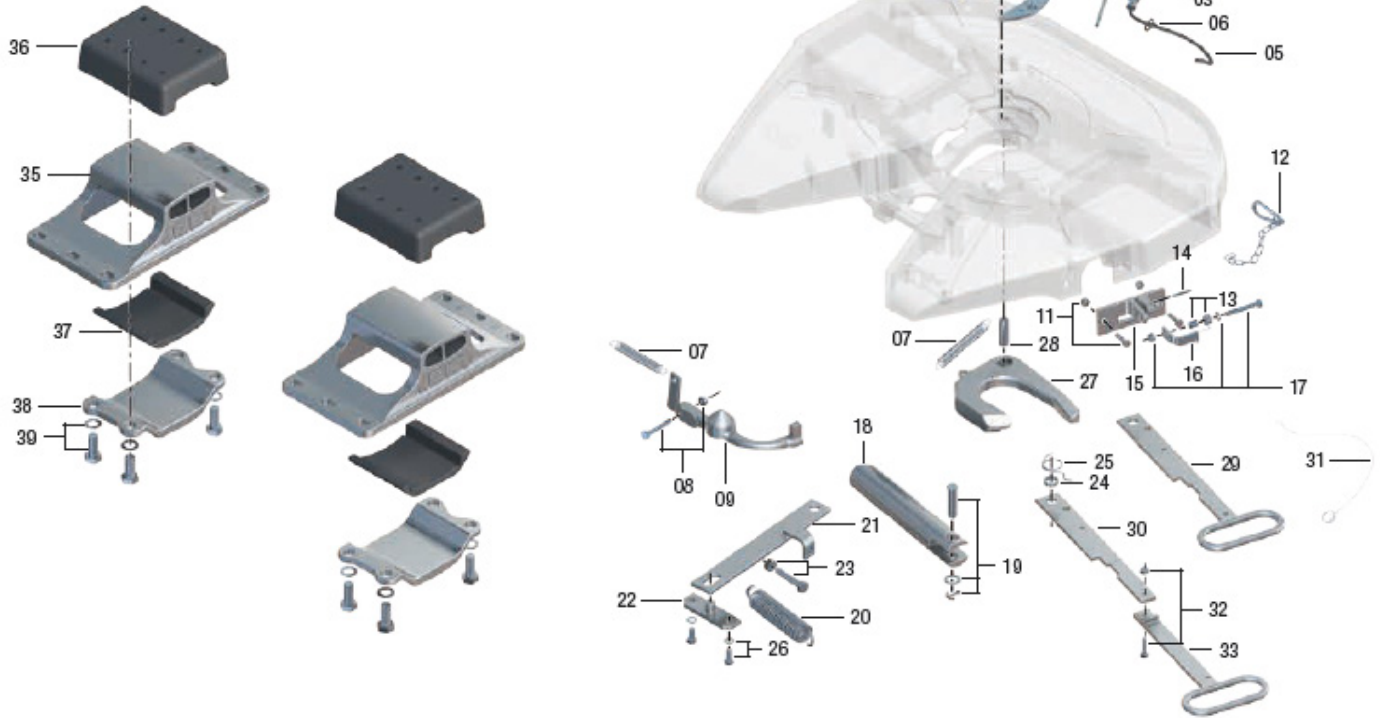


Fig	Description	Part No
01	Socket head bolt	SK2421-08
02	Wearing ring 3 ½' compl. with 01	SK2421-56
02	Wearing ring 2" compl. with 01	SK2421-57
03	Lube fitting	SK1976
04	Lubrication tube	SK2205-12
05	Lubrication line	SK2508-02
07	Tension spring	SK2106-01
08	Lock bar stopper bolts	SK2421-51
09	Lock bar stopper	SK2405-27
11	Hex bolt latch bracket	SK2421-50
12	Spring hook	SK1436
13	Latch spring & spacer	SK2921-30
15	Latch holder complete with 14	SK2405-084
16	Latch	SK3121-52
17	Latch bolt	SK3521-03
18	Locking bar	SK2405-01
19	Locking bar bolt	SK2121-14
20	Double tension spring	SK2405-23
21	Lever	SK2405-04
22	Lever pivot bracket	SK2405-15

Fig	Description	Part number
23	Adjuster bolt	SK2421-52
24	Spring washer	SK2405-19
25	Spring noose	SK2405-09
26	Lever pivot bracket bolt cw 24	SK2421-53
27	Lock jaw 3 ½" (Suits Greaseline)	SK2405-14Z
27	Lock jaw 2" (Suits Greaseline)	SK2405-13Z
28	Lock jaw pivot	SK2405-18
29	Handle (Standard version)	SK2405-066
30	Extended handle lower part	SK2405-067
31	Latch cord	SK3521-02
32	Hex bolt handle	SK2421-50
33	Handle extended	SK2405-113
35	Pedestal 160mm	SK2404-05X
35	Pedestal 190mm	SK2404-01X
35	Pedestal 250mm	SK2404-04
36	Rubber cushion – upper	SK2006
37	Rubber cushion – lower	SK2007
38	Bridge	SK2005
39	Hexagon bolt complete	SK2421-55

Repair and Conversion kits

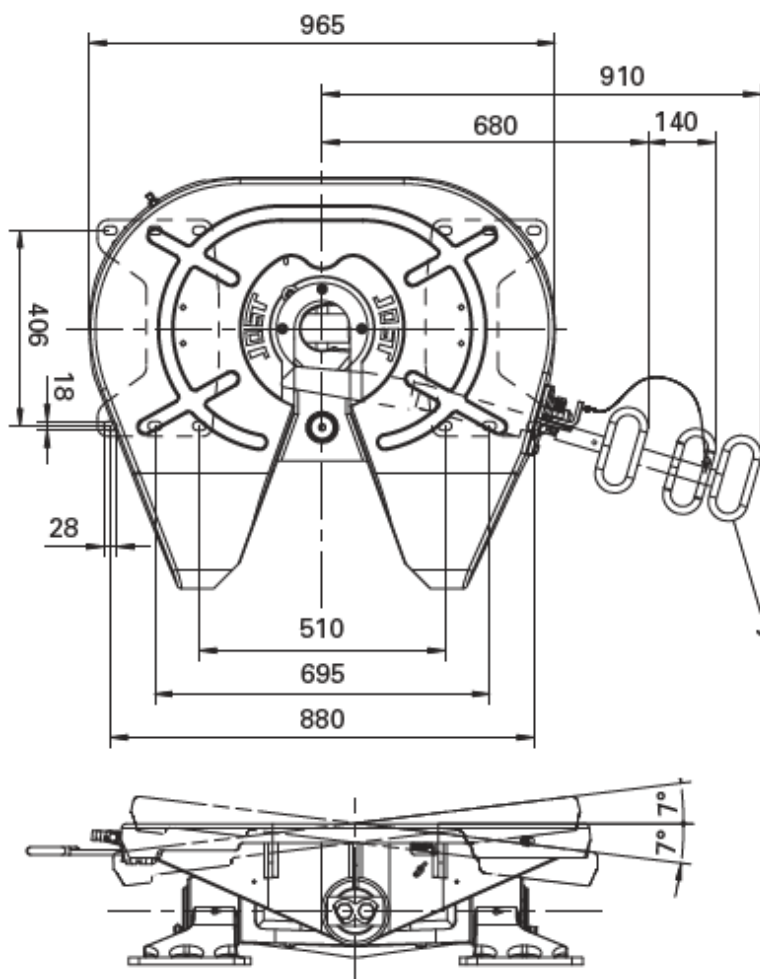
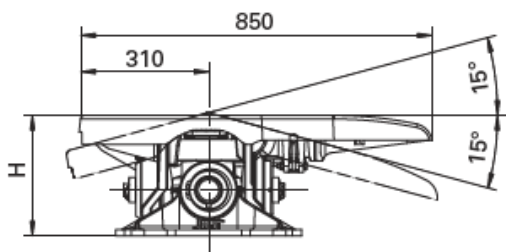
Fig.	Repair Kit Description	Part No
01, 02, 07, 20, 27, 28	Repair kit for locking 3 ½"	SK2421-76Z
01, 02, 07, 20, 27, 28	Repair kit for locking 2"	SK2421-77Z
36, 37, 39	Repair kit for bearing	SK2421-78
01, 02	Wearing ring 3 ½' with bolts	SK2421-56
01, 02	Wearing ring 2" with bolts	SK2421-57
13, 16, 17	Latch Kit Complete	SK3121-52KIT
JSK38C1WP	Complete fifth wheel top plate to suit 3 ½"	JSK38C-1WP
JSK38C2WP	Complete fifth wheel top plate to suit 2"	JSK38C-2WP
01, 02, 07, 27	Conversion kit from 3 ½" to 2"	SK2421-98Z
01, 02, 07, 27	Conversion kit from 2" to 3 ½"	SK2421-99Z
31,32,33	Handle extension	SK3121-063

Specifications

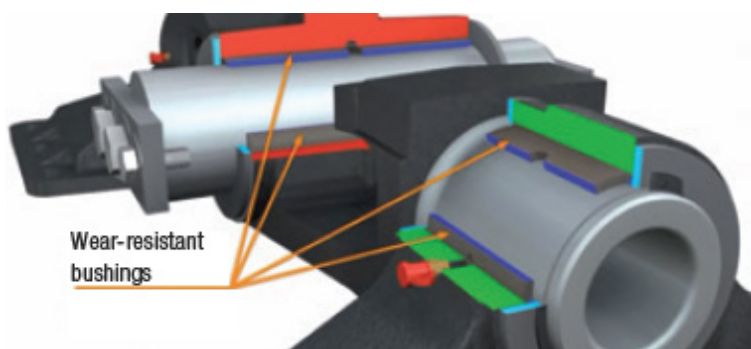
JSK38G

Mounting pattern to DIN standard 74081 and 74084
Approval E1 00-0339

- Especially robust heavy duty fifth wheel coupling
- The cardan bearing allows the semi-trailer to be used off-road without distortion
- Retrofittable from 2" or 3½" and vice versa



Part No.	H (mm)	D value (kN)	Lock	Imposed load U (t)	Weight (kg)
JSK38G-1	290	260	3½"	36	265
JSK38G-1Z	290	260	3½"	36	265
JSK38C-1-2	290	170	2"	28	265
JSK38C-1-2Z	290	170	2"	28	265



Cardan Mounting - Model "G"

The cardanic bearing is designed to allow roll between tractor and semi-trailer under off-road conditions. Due to the high strains it is designed as pivot bearing with wear-resistant bearing bushings. The lateral suspension must be disabled for on-road use.

JSK38G

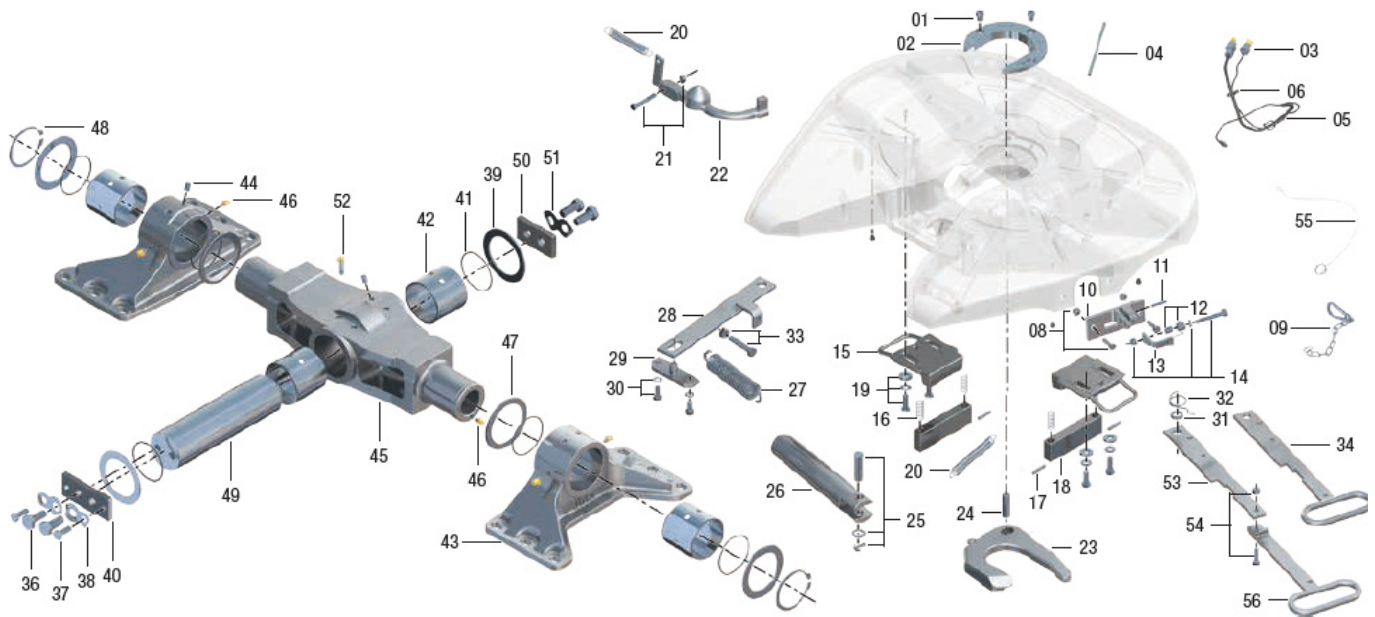


Fig	Description	Part No	Fig	Description	Part number
01	Socket head bolt	SK2421-08	29	Support	SK2405-15
02	Wearing ring 3 1/2" with 01	SK2421-56	30	Hexagon head bolt compl. with 3	SK2421-53
02	Wearing ring 2" with 01	SK2421-57	31	Disc	SK2405-19
03	Lube fitting	SK1976	32	Spring loop	SK2405-09
04	Grease tube	SK1989	33	Hexagon head bolt compl.	SK2421-52
05	Lubrication line with 06 for (Z*) type	SK2508-02	34	Short handle	SK2405-066
08	Lock bar stopper bolts	SK2421-50	36	Hexagon bolt	SK2034
09	Spring hook up to series 70	SK1436	37	Hexagon bolt	SK2521-18
10	Latch holder with 11 from series 72	SK2405-084	38	Locking plate	SK2405-21
11	Clamping pin	000.003.027	39	Spacer washer	SK2504-14
12	Spring cw spacer from series 72	SK2921-30	40	Plate	SK2504-18
13	Latch compl. from series 72	SK3121-52	41	Round seal	SK2521-07
14	Bolt compl. from series 72	SK3521-03	42	Bush	SK2504-16
15	Cover plate	SK2506-22	43	Pedestal with 42, 44, 46	SK2521-52
16	Thrust spring	SK2506-15	44	Dowel pin	SK1533
17	Clamping sleeve	SK2521-10	45	Rocker arm with 42,44,46,52	SK2521-51
18	Block	SK2506-35	46	Grease nipple	SK2521-04
19	Hexagon bolt	SK2521-50	47	Distance plate	SK1192-1
20	Lock jaw spring	SK2106-01	48	Circlip	SK1435
21	Hexagon head bolt compl.	SK2421-51	49	Pivot	SK2504-17
22	Latch	SK2405-27	50	Lock	SK2504-19
23	Lock jaw 3 1/2"	SK2405-14Z	51	Security plate	SK2504-20
23	Lock jaw 2 1/2"	SK2405-13Z	52	Grease nipple	SK2521-57
24	Bolt	SK2405-18	53	Extended handle lower part	SK2405-067
25	Pivot bolt compl.	SK2121-14	54	Hexagon bolt	SK2421-50
26	Locking bar	SK2405-01	55	Latch cord compl.	SK3521-02
27	Double tension spring	SK2405-23	56	Extended handle grip	SK3106-113
28	Lever	SK2405-04			

Repair and Conversion kits

Fig.	Repair Kit Description	Part No
01, 02, 05 (Z*), 09, 20, 23, 24, 27	Repair kit for locking 3 1/2"	SK2421-76Z
01, 02, 05 (Z*), 09, 20, 23, 24, 27	Repair kit for locking 2"	SK2421-77Z
36, 37, 38, 41, 42, 44, 46, 51, 52	Repair kit for bearing	SK2521-76
54, 55, 56	Handle extension	SK3121-063
12, 13, 14	Latch kit complete	SK3121-52KIT
01, 02, 20, 23	Conversion kit from 3 1/2" to 2"	SK2421-98Z
01, 02, 20, 23	Conversion kit from 2" to 3 1/2"	SK2421-99Z



In the worst case scenario, all it takes is a non-functioning fifth wheel coupling locking mechanism, a bolt that is unable to stand up to sufficient pressure, or even just a defective screw to cause an accident. Always choose genuine JOST parts.

Dealers and workshops which sell or install non-genuine items are fully liable for the consequences of their failure. Offering non-original spare parts for connecting systems subject to type approval for sale may be subject to prosecution.

JOST original spare parts and repair kits are available from our distributor network and workshops throughout New Zealand. See our web site for details .



JOST New Zealand Ltd | www.jostnz.co.nz | Ph 0800 567 869 | sales@jostnz.co.nz

JOST ROCKINGER TRIDEC