

JOST

JSK52 Fifth Wheel Coupling



JSK52 Heavy Duty Fifth Wheel

- Designed for extreme applications such as mining and side tippers
- 3½" (90mm)
- D Value 400 kN
- Semi oscillating with pivot bearing
- Imposed load up to 74t

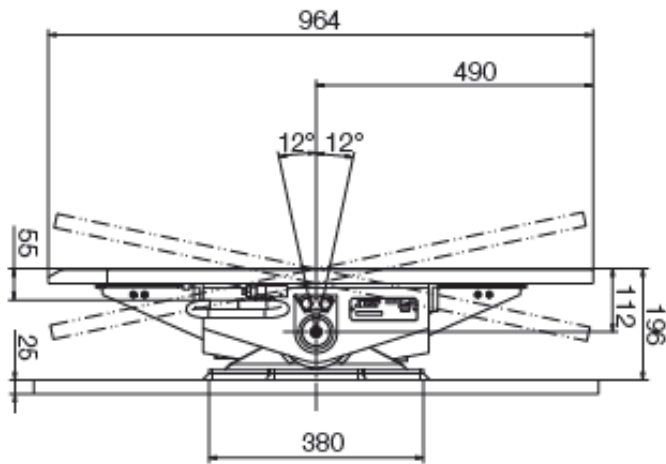
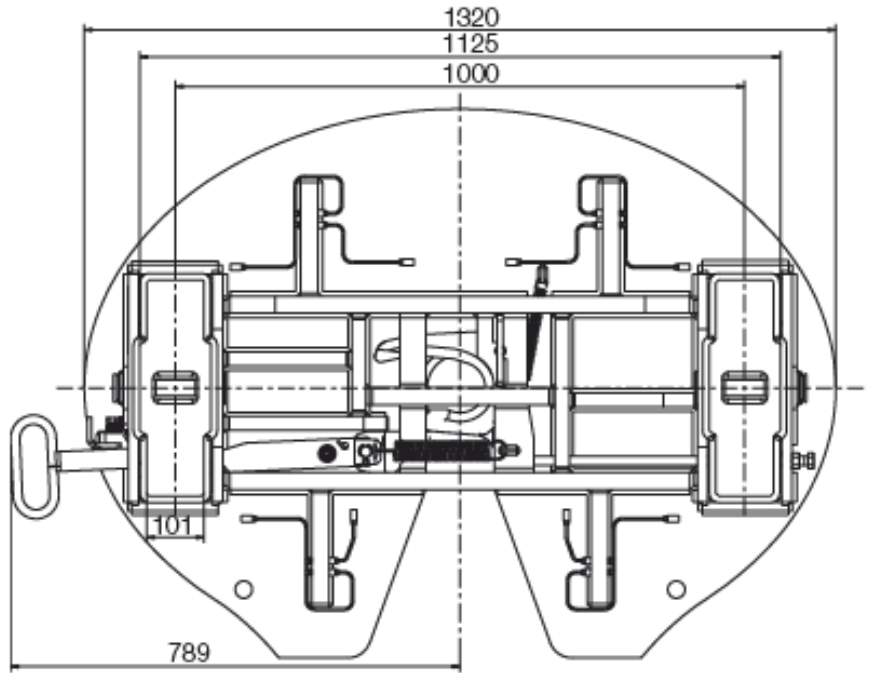
JOST New Zealand Ltd | www.jostnz.co.nz | Ph 0800 567 869 | sales@jostnz.co.nz

Member of JOST World

Specifications

Approval CRN 46422

- Super heavy duty fifth wheel coupling
- Especially suitable for mining
- For 3½ king pins KZ5216



Suitable for 3½" king pins (G S) as per ECE R55-01, DIN 74083, ISO 4086 and steering wedges as per ECE R55-01, DIN 74085.

Notes:

Mounting plate is not included in the scope of delivery of the fifth wheel coupling. (Please refer to the mounting and operating instructions under www.jostnz.co.nz).

More information on the corresponding king pin KZ 5216 can be found in the section for King Pins.



JSK52

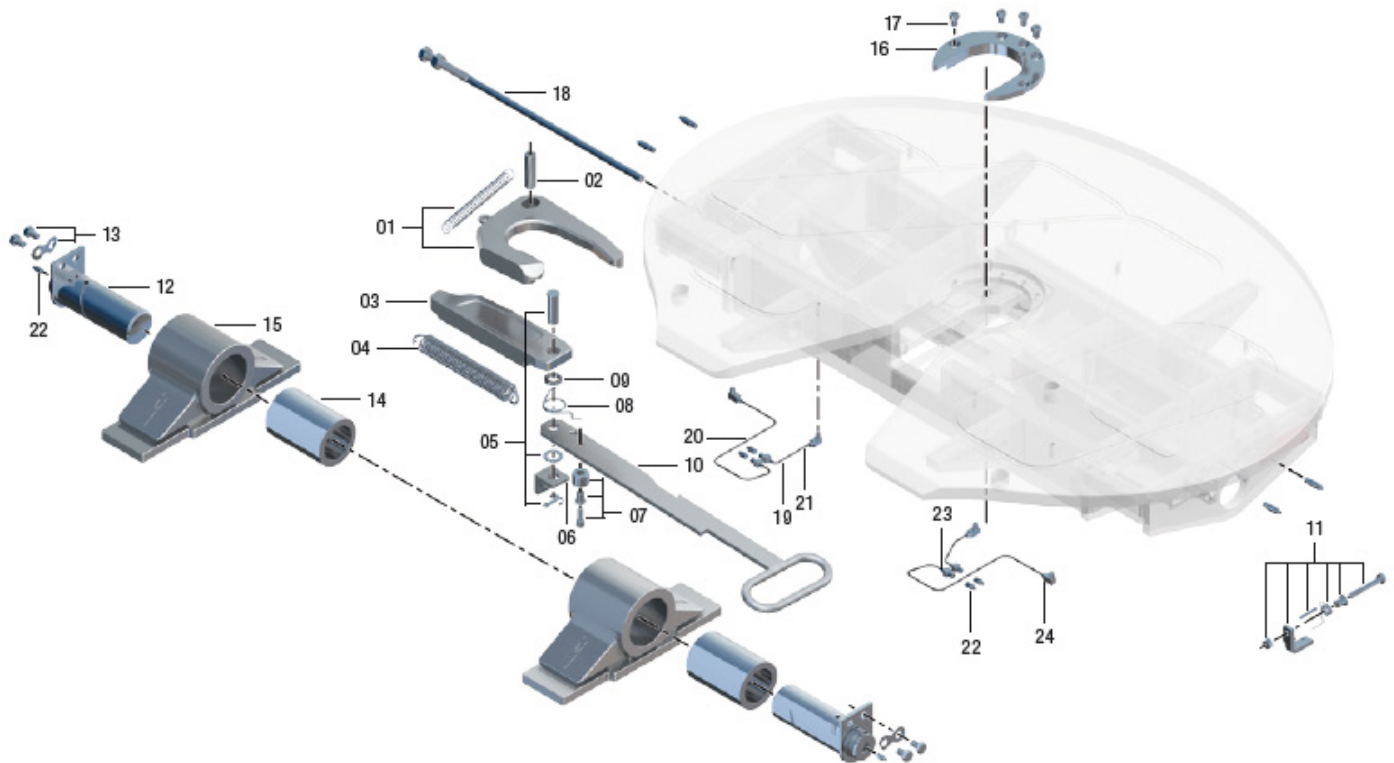


Fig	Description	Part No
01	Socket head bolt	SK8301-005
02	Pin	SK8301-307
03	Lock bolt	SK8301-209
05	Double tension spring	SK8301-210
06	Fixing loop	SK8101-206
07	Bolt	SK8301-007
08	Spring	SK2405-09
09	Washer	SK8101-305
10	Pull handle	SK8301-213
11	Latch mechanism compl.	SK8301-008
12	Pivot pin	SK8301-205
13	Hexagonal bolt + retaining sheet	000.001.148+ SK3104-46

Fig	Description	Part number
14	Bush	SK8301-204
15	Pedestal	SK8301-224
16	Wearing ring	SK8301-223
17	Socket head bolt	SK2421-08
18	Adjusting screw with hexagon bolt	SK8301-301
19	Lubrication line	SK8301-220
20	Lubrication line 2	SK8301-221
21	Lubrication line 3	SK8301-222
22	Lubrication nipple	SK8301-308
23	Nut and bolt	SK8301-310
24	90° Nut and bolt	SK8301-309

Repair kits

Fig.	Repair Kit Description	Part No
01, 02, 16, 17	Repair kit for lock jaw	SKE119036300
12, 13, 14, 22	Repair kit for bearing	SKE119036400



In the worst case scenario, all it takes is a non-functioning fifth wheel coupling locking mechanism, a bolt that is unable to stand up to sufficient pressure, or even just a defective screw to cause an accident. Always choose genuine JOST parts.

Dealers and workshops which sell or install non-genuine items are fully liable for the consequences of their failure. Offering non-original spare parts for connecting systems subject to type approval for sale may be subject to prosecution.

JOST original spare parts and repair kits are available from our distributor network and workshops throughout New Zealand. See our web site for details .



JOST New Zealand Ltd | www.jostnz.co.nz | Ph 0800 567 869 | sales@jostnz.co.nz

JOST ROCKINGER TRIDEC