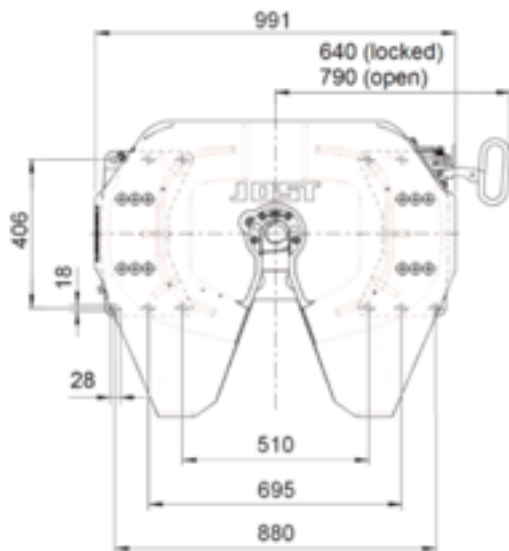
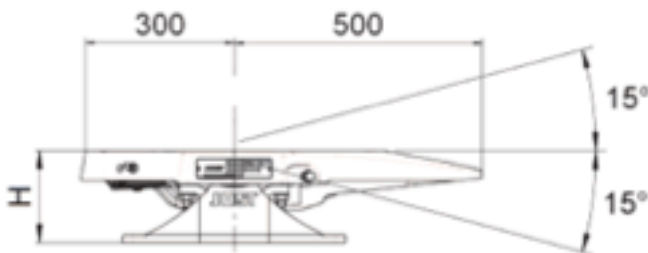


JSK37 CX Rubber Mount

With Wear Ring & External Jaw Lubrication



Applications: Stock crate
Fridge van
Tanker
B-double
Road train

Sturdier fifth wheel coupling plate, with central relief to avoid load concentration on the coupling system. A heavy-duty fifth wheel coupling for operation in arduous conditions. Pedestals fixed by 6 bolts. Hole areas have been reinforced.

Lock jaw and wear ring can be replaced without difficulty in a few minutes with the fifth wheel still in position. Mounting must be carried out in accordance with our mounting instruction.

Type	Overall Height mm	Imposed Load kg	D-Value kN	Weight Approx. kg	Approval Number
JSK37CX150	150	24000	240	162	CTA-045374
JSK37CX170	170	24000	240	168	
JSK37CX185	185	24000	240	170	
JSK37CX220	220	24000	240	179	
JSK37CX250	250	24000	240	182	
*JSK37CX300	300	24000	240	190	

* Note 300mm non weldable pedestals

Spare parts for type JSK37CX

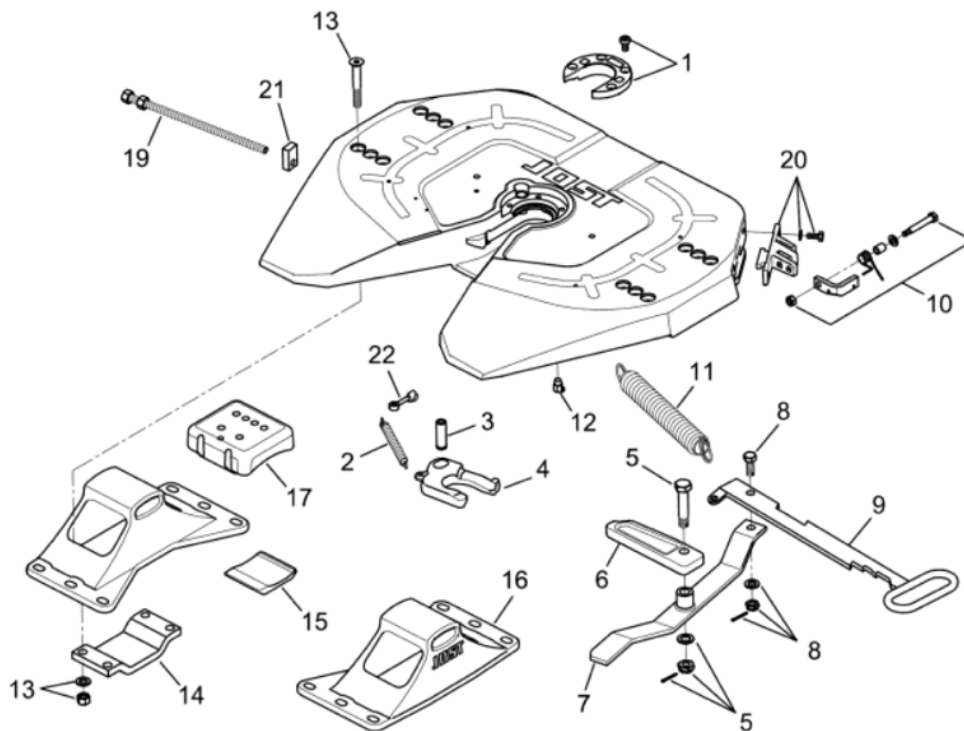


Fig.	Description	Code
01	Wearing ring and bolts	QR00269J00
02	Lock jaw spring	SK847
03	Pivot	SK2106-67
04	Locking jaw	SK1489Z
05	Bolt (complete)	SK3221-01
06	Locking bolt	SK3205-06
07	Lever with bushing	SK3105-18
08	Head bolt	SK1513
09	Lever handle	SK3105-15
10	Latch kit	SK312152KIT
11	Double tension spring	SK3105-20
12	Fitting	SK3121-11
13	Complete countersunk bolt	SK2121-15

Fig.	Description	Code
14	Mounting bracket	QR00215J01
15	Lower rubber cushion	SK210-25
16a	Pedestal (150mm)	SK2104-02
16b	Pedestal (170mm)	SK2104-21
16c	Pedestal (185mm)	SK2104-01
16d	Pedestal (220mm)	SK2104-18
16e	Pedestal (250mm)	SK2104-14
16f	Pedestal (300mm)	SK2104-20
17	Upper Rubber Cushion	SK1259
19	Adjustment screw	AD01148B80
20	Guide latch complete security	QR00270J00
21	Guide with thread	SK3205-07
22	Pin with eyelet	SK2122-04

Repair Kits

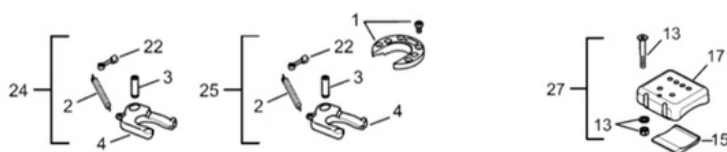


Fig.	Repair Kits	Part No.
24	Locking latch kit - items 2, 3, 4, 22	SK3221-52Z
25	Kit locking claw - items 1, 2, 3, 4, 22	SK3221-50CX
27	Base plate fastening kit - items 13, 15, 17 (with 4 screws)	SK2121-69CX