

JOST

Container Equipment

Twistlocks and corner castings



JOST New Zealand Ltd | www.jostnz.co.nz | Ph 0800 567 869 | sales@jostnz.co.nz

Member of JOST World



New Zealand model options

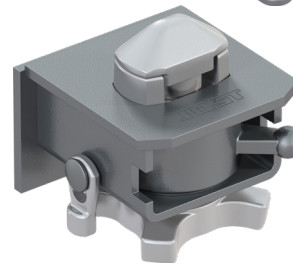
QA 37 NS - Retractable

- Locking pins - \varnothing 38mm
- Back plate 150 x 110mm
- Long handle option
- Gross container weight 25400kg
- Weight 7.9kg



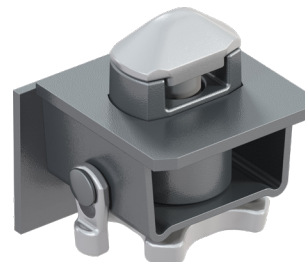
R 401 VAK - Retractable

- Locking pins - \varnothing 52mm
- Back plate 180 x 125mm
- Gross container weight 34000kg
- Weight 16.4kg



R 414F - Non-retractable

- Locking pins - \varnothing 38mm
- Back plate 180 x 125mm
- Gross container weight 30500kg
- Weight 10.3kg



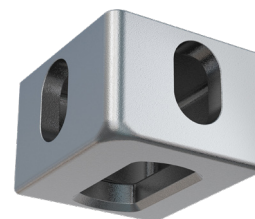
TL2009 R-G, TL2009 L-G - Retractable

- Left and right handed
- Locking pins - \varnothing 38mm
- Back plate 185 x 90mm
- Gross container weight 25400kg
- Weight 13.1kg



CC 299 BL & CC 300 BR - Corner casting

- Eyelet opening - 28.5mm
- 178 x 118 x 162mm (WxHxD)
- Weight 11kg





Load details for twistlocks

The details for the maximum gross container weight only apply:

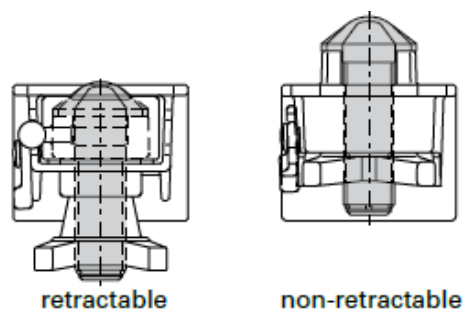
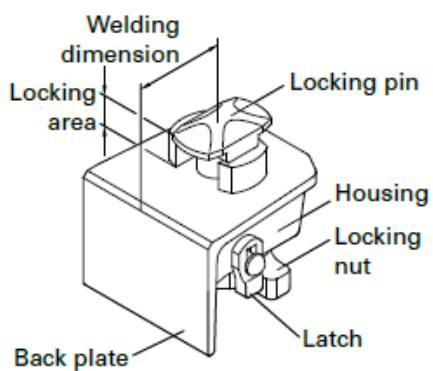
- For securing and transporting standard containers, such as freight containers that comply with ISO 1496, interchangeable containers that comply with EN 284 or EN 452 or directly comparable versions.
- If at least four twist locks of the same load group are used for each container.
- For almost uniform load distribution (load in the interchangeable container).
- For transport on sealed roads.

The details for the maximum gross container weight do not apply:

- To special applications, such as crane bodies, tipping containers, etc.

General information

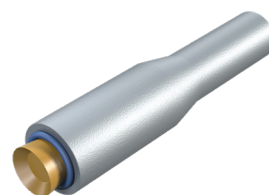
- The lock kit casings are primed.
- The innerparts of the twist locks are galvanised.
- Lock kits are delivered assembled.
- Dimension sheets available on our web site



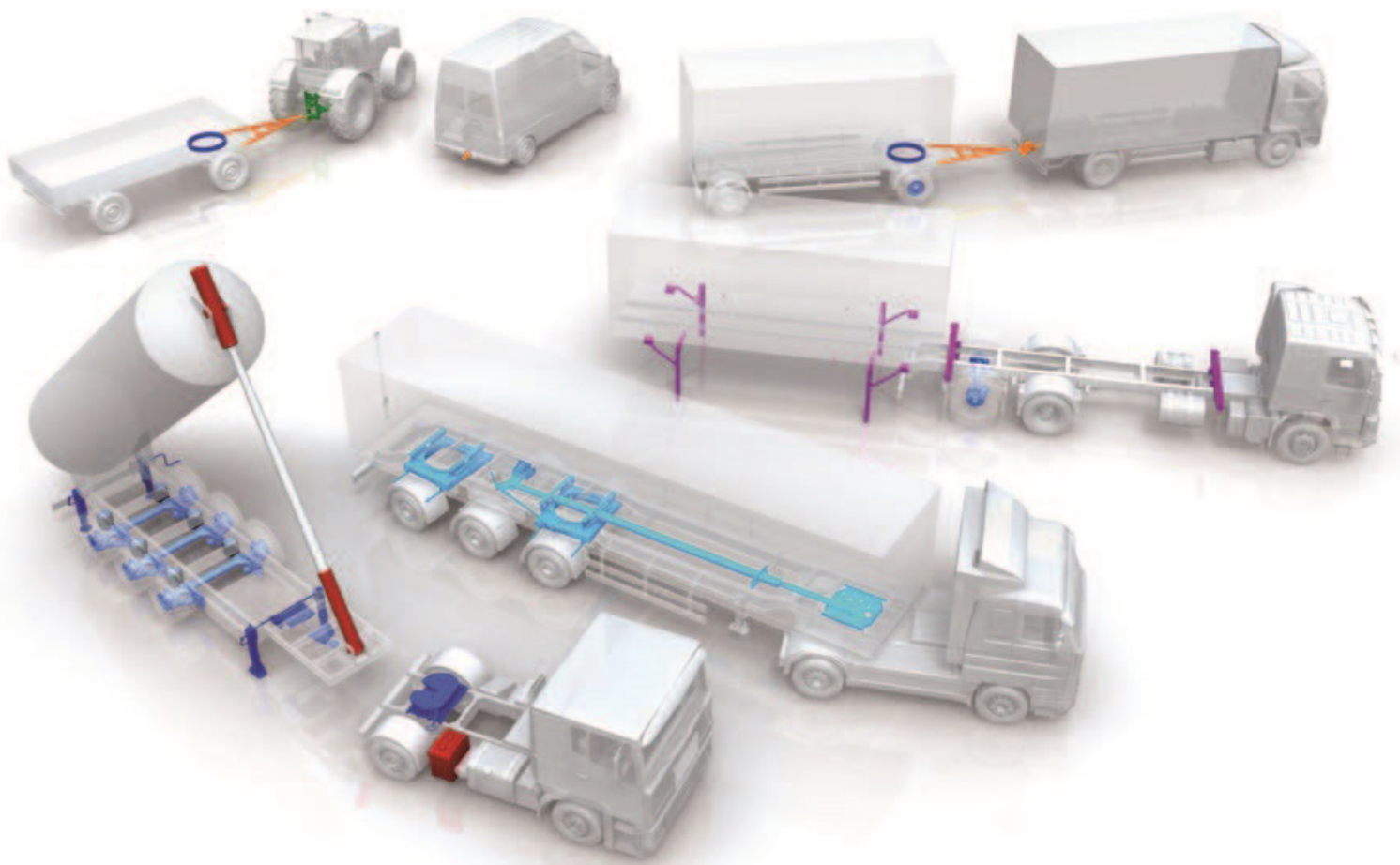
Tools



Twistlock spanner
Designed to secure clamp nuts



Installation tool
Used to install locking rings



Original spare parts -
better safe than sorry!



JOST New Zealand Ltd | www.jostnz.co.nz | Ph 0800 567 869 | sales@jostnz.co.nz

JOST ROCKINGER TRIDEC